

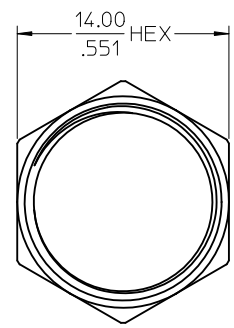
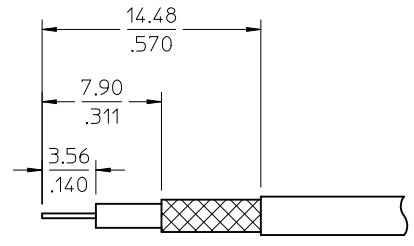
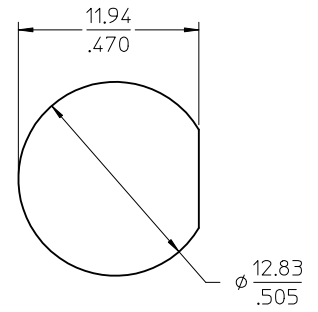
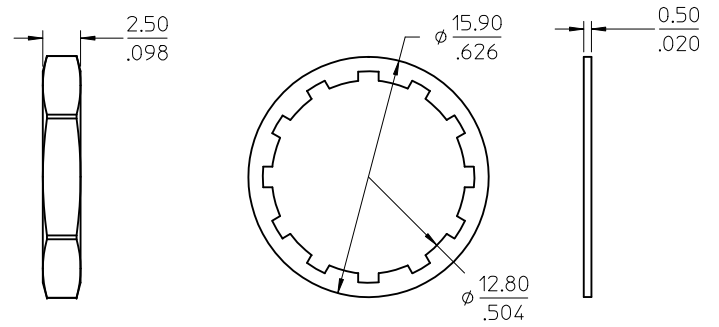
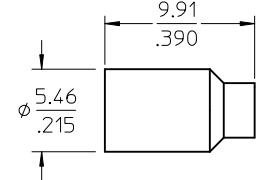
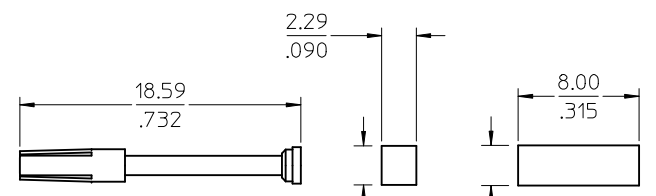
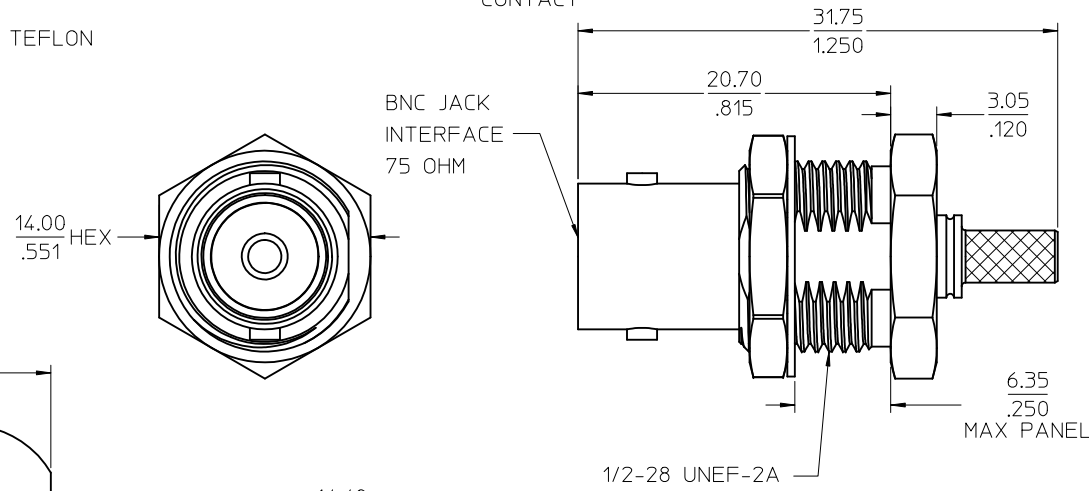
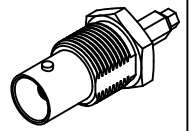
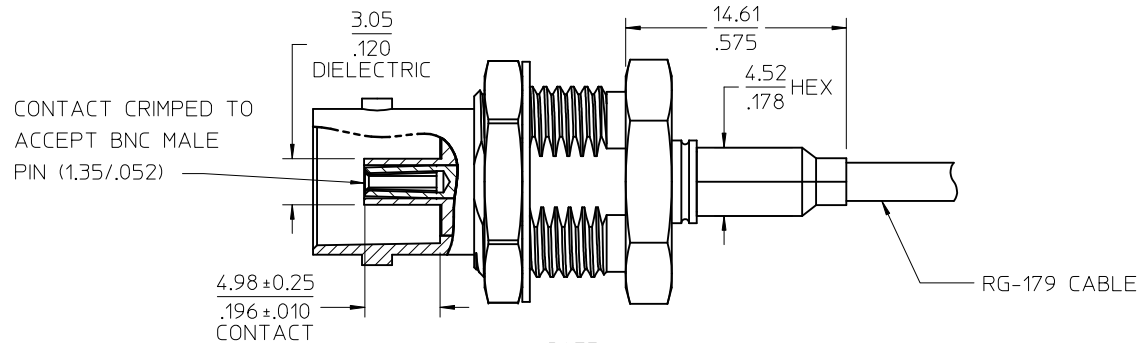
MATERIALS AND FINISHES

BODY, CRIMP TUBE, NUT, TUBE: BRASS  
PLATED NICKEL (100 MICROINCHES MIN)

LOCK WASHER: PHOSPHOR BRONZE  
PLATED NICKEL (100 MICROINCHES MIN)

CONTACT: PHOSPHOR BRONZE  
PLATED GOLD (10 MICROINCHES MIN)

INSULATOR, SLEEVE: TEFLON



PART # 73171-1160

RECOMMENDED CABLE STRIP

MIL-STD-348A, FIG. 301.2	INTERFACE
SPECIFICATION	DESCRIPTION

CHG: DELETE ASSEMBLY SPECIFICATION  
ADD CABLE VIEW  
ADD CUTAWAY TO SHOW CONTACT LOCATION, ID, AND INSULATOR OD

EC NO: URF2010-0507  
DRAWN: JWIENER 2010/03/09  
CHKD: SSS 2010/03/09  
APPR: JWIENER 2010/03/12

REV: A2

QUALITY SYMBOLS	GENERAL TOLERANCES (UNLESS SPECIFIED)
▽=0	mm INCH
▽=0	4 PLACES ± --- ± ---
	3 PLACES ± --- ± ---
	2 PLACES ± --- ± ---
	1 PLACE ± --- ± ---
	ANGULAR ± 2 °
	DRAFT WHERE APPLICABLE MUST REMAIN WITHIN DIMENSIONS

DIMENSION STYLE	SCALE	DESIGN UNITS	THIRD ANGLE PROJECTION
MM/IN		METRIC	
DRAWN BY	DATE	TITLE	
TEF	2000/03/29	BNC JACK BLKHD RG-179	
CHECKED BY	DATE	75 OHMS	
SSS	2000/03/29	BNC-JC	
APPROVED BY	DATE	MATERIAL NO.	DOCUMENT NO.
JWIENER	2010/03/12	731711160	SD-73171-116
SIZE	THIS DRAWING CONTAINS INFORMATION THAT IS PROPRIETARY TO MOLEX INCORPORATED AND SHOULD NOT BE USED WITHOUT WRITTEN PERMISSION		

MATERIAL NO.	DOCUMENT NO.	SHEET NO.
731711160	SD-73171-116	1 OF 1