

CONVERSION CHART	
INCH	MM
.002	0.05
.010	0.25
.020	0.51
.030	0.76
.043	1.09
.060	1.52
.079	2.01
.080	2.03
.082	2.08
.085	2.16
.100	2.54
.190	4.83
.194	4.93
.200	5.08
.206	5.23
.216	5.49
.236	5.99
.290	7.37
.300	7.62
.320	8.13
.340	8.64
.360	9.14
.590	14.99

**4** SPECIFICATIONS:

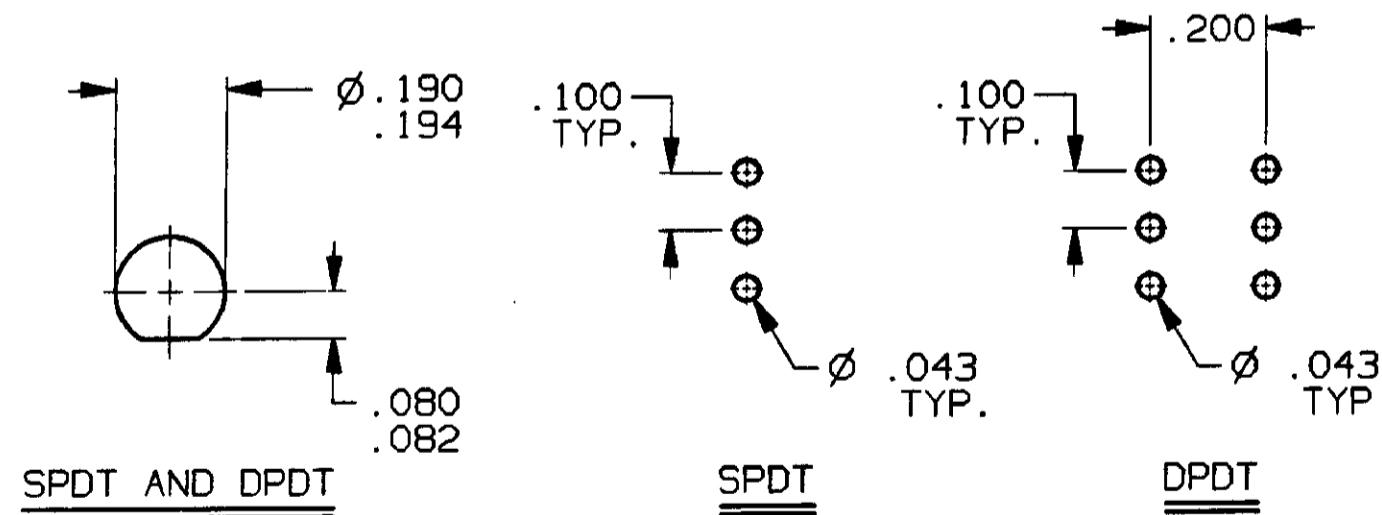
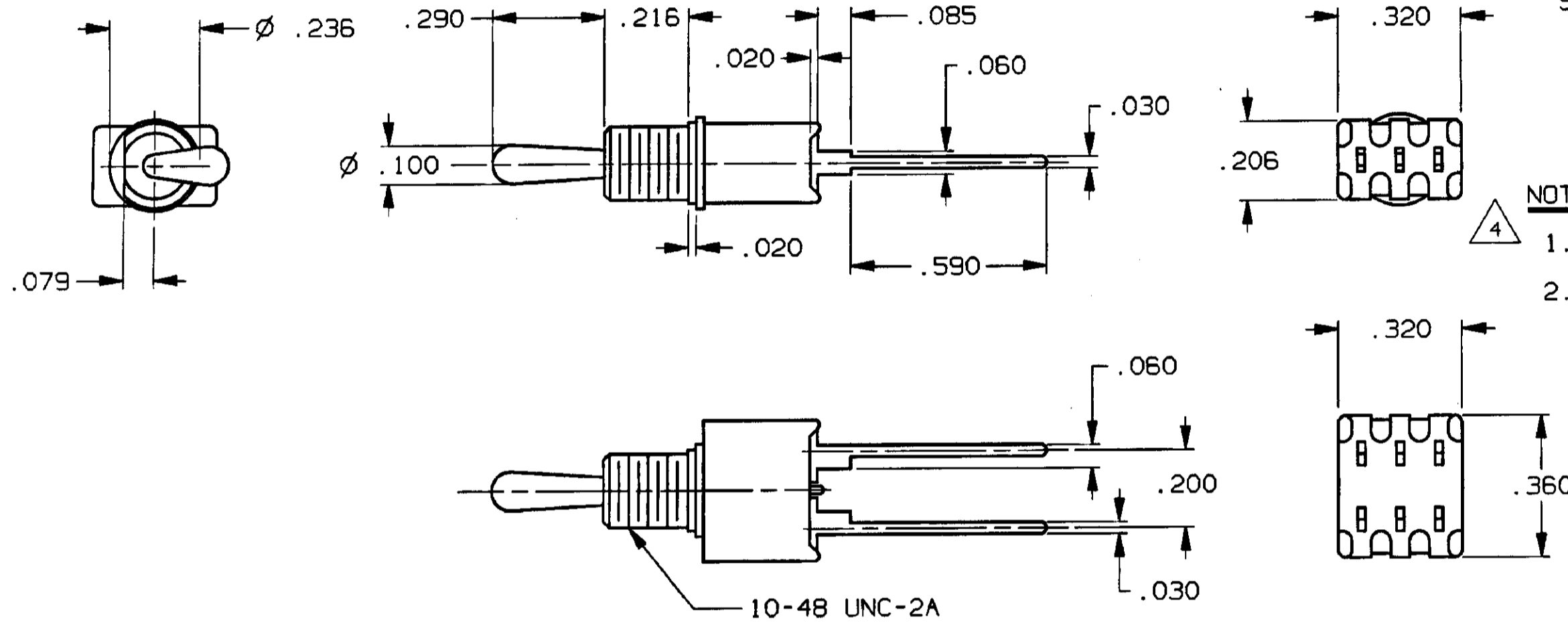
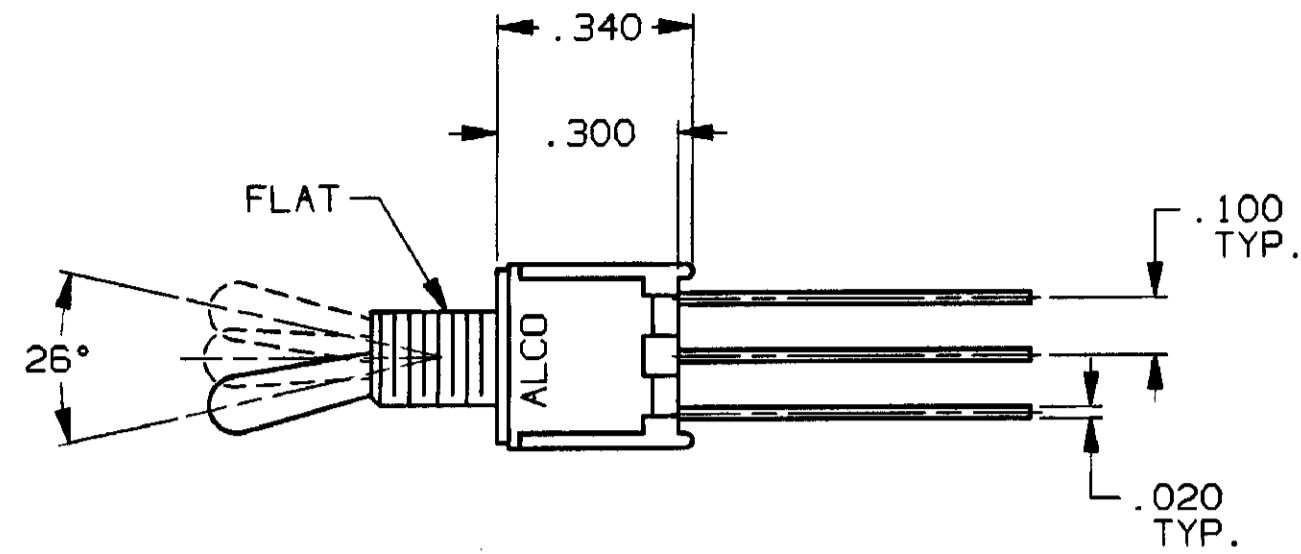
**MATERIALS:**  
CASE: HIGH TEMPERATURE POLYESTER  
FRAME: STEEL, TIN PLATED.  
ACTUATOR: COPPER ALLOY, NICKEL PLATED.  
MOVABLE CONTACT: COPPER ALLOY, GOLD OVER NICKEL PLATE.  
STATIONARY CONTACT: COPPER ALLOY, GOLD OVER NICKEL PLATE.  
TERMINALS: COPPER ALLOY, TIN PLATED.  
TERMINAL SEAL: EPOXY

**ELECTRICAL:**  
CONTACT RATING: 0.4 VA @ 20 VDC OR PEAK AC  
INITIAL CONTACT RESISTANCE: 20 MILLIOHMS MAX.  
INSULATION RESISTANCE: 1,000 MEGOHMS AT 500 VDC MIN.  
DIELECTRIC STRENGTH: 1,000 VOLTS RMS AT SEA LEVEL  
LIFE EXPECTANCY: 80,000 CYCLES (2 POSITION)  
60,000 CYCLES (3 POSITION).

**ENVIRONMENTAL:**  
OPERATING TEMPERATURE: -22°F TO +185°F (-30°C TO +85°C)  
STORAGE TEMPERATURE: -67°F TO +185°F (-55°C TO +85°C)

**4** NOTES:

1. INTERPRET DRAWING PER ASME Y14.5M-1994.
2. SUPPLIED WITH MOUNTING HARDWARE.



**RECOMMENDED HOLE LAYOUT**

TOLERANCE ±.002 UNLESS OTHERWISE NOTED

MODEL NO. SPDT	MODEL NO. DPDT	POSITIONS	ACTION
TT11DG-WW-2T	TT21NG-WW-2T	2	ON-NONE-ON
TT11EG-WW-2T	TT21PG-WW-2T	3	ON-OFF-ON

AUGAT D/N 40156-SD

**4** CUSTOMER DRAWING  
SPECIFICATIONS ARE SUBJECT TO CHANGES WITHOUT NOTICE

THIRD ANGLE PROJECTION TOLERANCES (EXCEPT AS NOTED) ANGULAR = ±1° DECIMAL .XX = ±.010 DECIMAL .XXX = ±.010 DECIMAL .XXXX = ±.010	UNLESS OTHERWISE SPECIFIED DIMENSIONS ARE IN INCHES DO NOT SCALE PRINT	ORIGINAL DATE OF DRAWING: 1-30-78
	MATERIAL: SEE SPECIFICATIONS	DRAWN: B.B. DATE: 1-30-78
	FINISH: SEE SPECIFICATIONS	CHECKED: DATE:
		APPROVED: <i>[Signature]</i> DATE: 6/28/95
	CODE IDENT. NO. 91506	DWG. SIZE C
	NEXT ASSY:	

<b>TYCO</b> ELECTRONICS	
TITLE: CUSTOMER DRAWING SUBMINIATURE TOGGLE SWITCH SPDT & DPDT	
DWG. NO. 5-1437561-0	REV. B
PRODUCT CODE: A51	SCALE: SHEET 1 OF 1

REV	<b>B</b>
REVISIONS	0G3C-0194-05 MZ 28MAR07