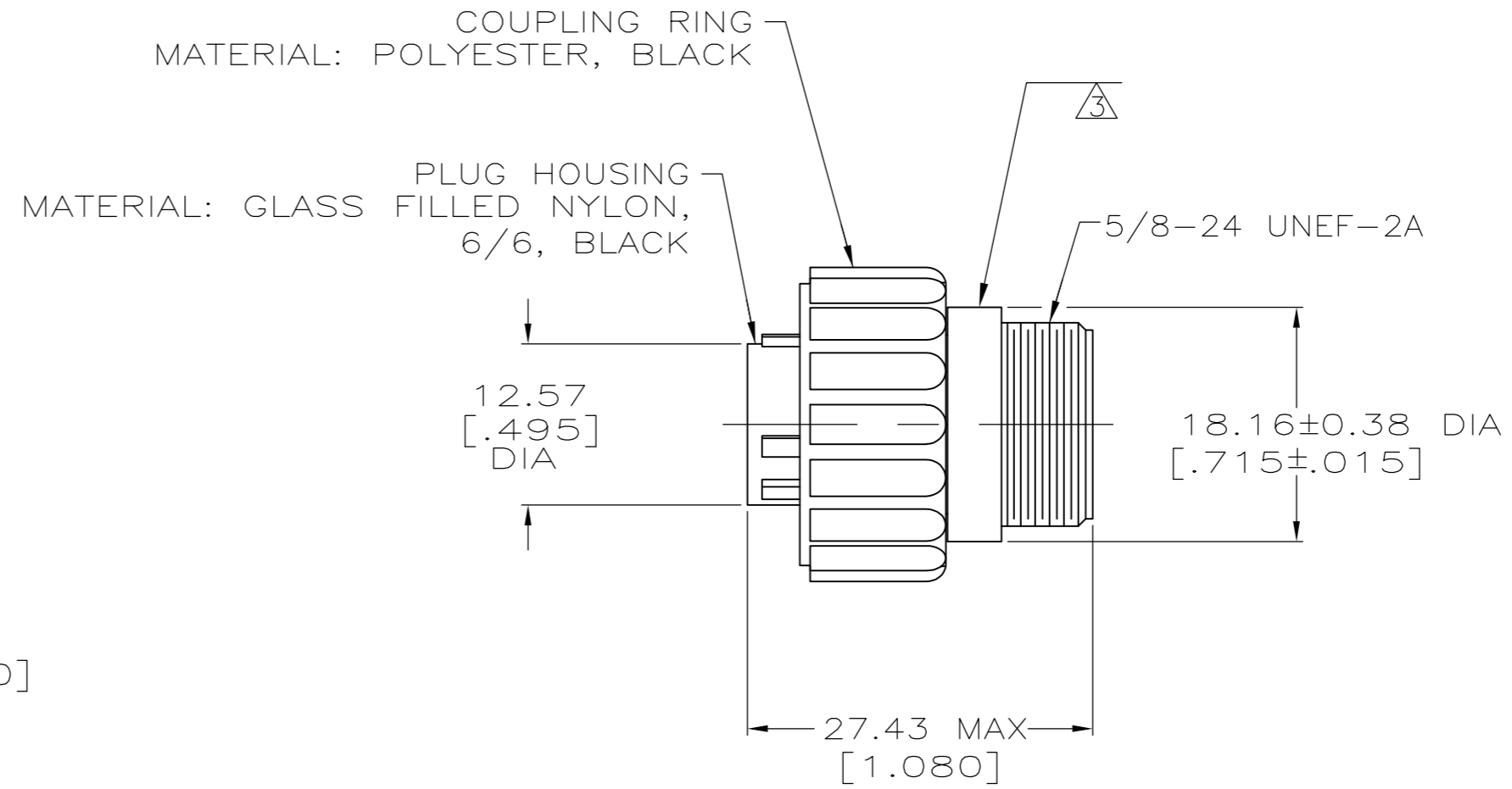
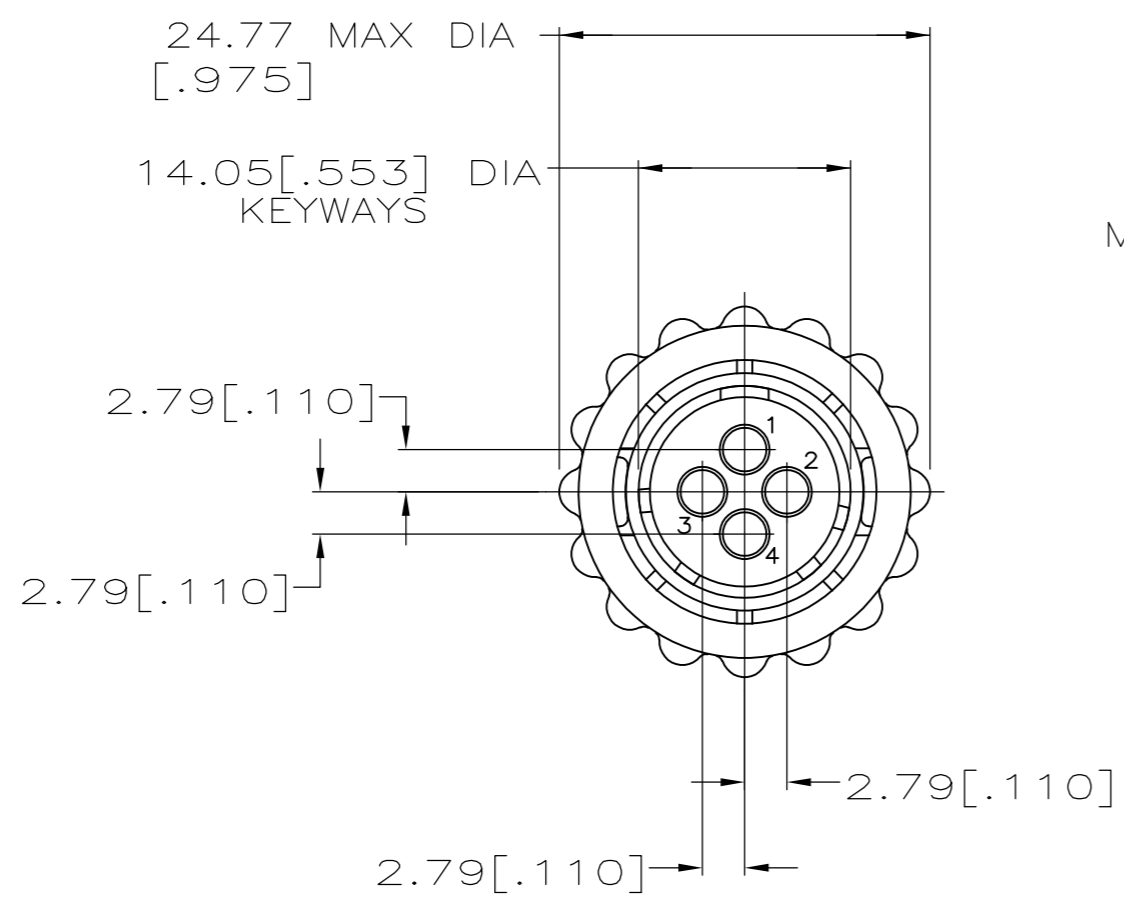


THIS DRAWING IS UNPUBLISHED. RELEASED FOR PUBLICATION
 © COPYRIGHT - By - ALL RIGHTS RESERVED.

LOC		DIST		REVISIONS			
P	LTR	DESCRIPTION		DATE	DWN	APVD	
FT	4	H1	REVISED PER ECO-11-004587		11MAR11	RK	HMR



NOTES:

1. CAVITY IDENTIFICATION ON FRONT AND REAR FACE.
 2. WILL ACCEPT FOUR (4) MULTIMATE CONTACTS.
- MOLDED PART NUMBER THIS SURFACE. PART NUMBER MAY ALSO APPEAR ON COUPLING RING MATING FACE.

SMALL PACK	206060-2
STANDARD	206060-1
PACKAGING	PART NO.

THIS DRAWING IS A CONTROLLED DOCUMENT.		DWN	D.GELTZ	07/26/93	TE Connectivity PLUG ASSEMBLY, STANDARD SEX, SERIES 1, 11-4, CPC
DIMENSIONS:		CHK	R.STONE	08/11/93	
mm		APVD	-	-	
TOLERANCES UNLESS OTHERWISE SPECIFIED:		PRODUCT SPEC	108-10024	APPLICATION SPEC	
0 PLC ± - 1 PLC ± - 2 PLC ± 0.13 [.005] 3 PLC ± - 4 PLC ± - ANGLES ± -		MATERIAL	SEE	FINISH	-
MATERIAL		WEIGHT	-	CUSTOMER DRAWING	SCALE 2:1
MATERIAL		WEIGHT	-	SIZE A2	CAGE CODE 00779
MATERIAL		WEIGHT	-	DRAWING NO C-206060	RESTRICTED TO -
MATERIAL		WEIGHT	-	SCALE 2:1	SHEET 1 OF 1
MATERIAL		WEIGHT	-	REV H1	