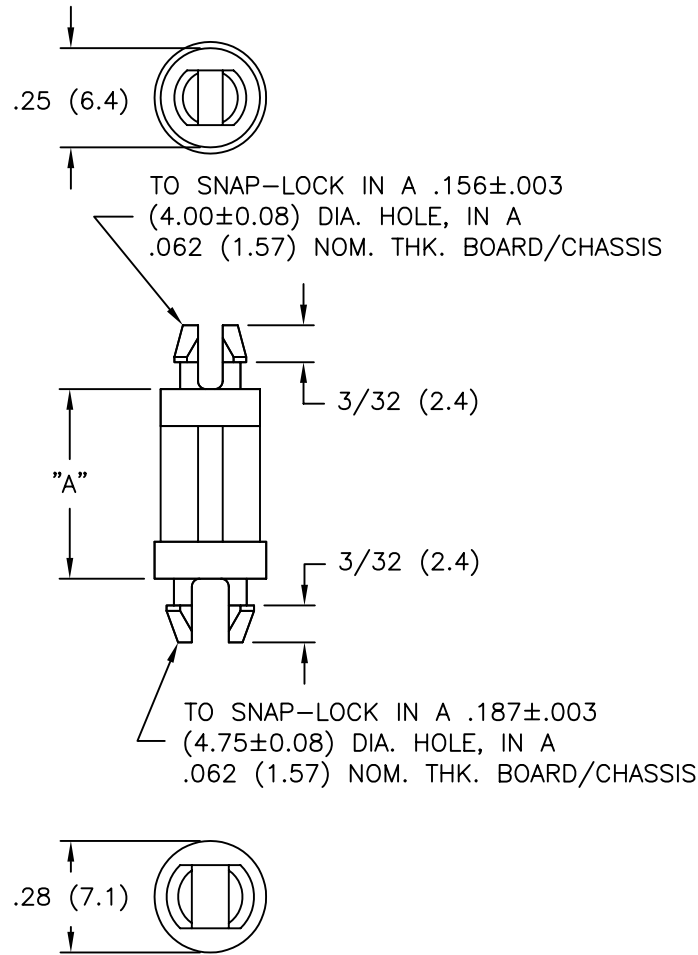


PART NO.	"A" ±.015 (±0.4)
SP3-3-01	3/16 (4.8)
SP3-4-01	1/4 (6.4)
SP3-6-01	3/8 (9.5)
SP3-8-01	1/2 (12.7)
SP3-10-01	5/8 (15.9)
SP3-12-01	3/4 (19.1)
SP3-14-01	7/8 (22.2)
SP3-16-01	1 (25.4)



NOTES:

- MATERIAL: NYLON 6/6 (RMS-01).  
FLAME RETARDANT: NYLON (RMS-19),  
AVAILABLE BY SPECIAL ORDER ONLY.
- COLOR: NATURAL.

A	CHANGED FILE NO. AND TITLE BLOCK	SM 02.04.02
REV	DESCRIPTION	ENGR DATE

TITLE: SUPPORT POST, TYPE 3				⊕	▭	DWG IN IN (MM)	QR
TOLERANCES UNLESS NOTED .XX=±.010 .XXX=±.005 FRAC=±1/64 ANG=±1°	FILE # SP3	DWN: P.B.	APP:	FINAL			
	MAT'L: SEE NOTES	DT: 03-11-94	DT:	PART #		PRINT	
	RE: RICHCO, INC.	RICHCO INC. PO BOX 804238, CHICAGO, 60680 (773) 539-4060		SEE TABLE		TYPE CA	