

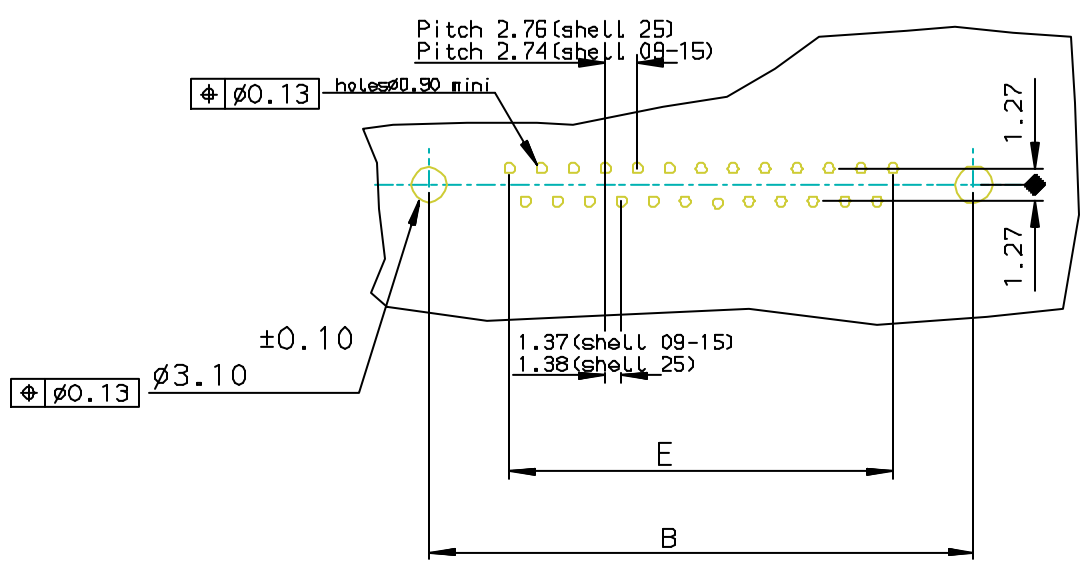
Part Number & Date Code Printing

PC card drilling dimensions (after plating)
(thickness 1.60 ±0.20mm)

Core range						
SHELL	A±0.38	B±0.12	C±0.10	D±0.25	G±0.25	PART NUMBER
09	30.81	24.99	16.96	16.79	5.90	D09P13A4GX00**
15	39.14	33.32	25.18	25.12	5.90	D15P13A4GX00**
25	53.03	47.04	39.12	38.84	5.70	D25P13A4GX00**

GENERAL CHARACTERISTICS - SEE DRAWING C01-8646-0000

LF FOR LEAD FREE



rev	ecn no	dr	date
J	105-0124	JS	2005/07/27
K	106-0074	SK	2006/06/08
-	-	-	-
-	-	-	-
-	-	-	-
-	-	-	-

www.fciconnect.com		surface ISO 1302 ✓	tolerance std ISO 406 ISO 1101	projection mm
TOLERANCES UNLESS OTHERWISE SPECIFIED				
Dr	JOHN SLEEBA	1994/08/01	ANGULAR	0.X ±0.1
Eng	GEORGE VJ	1994/08/01	LINEAR	0.XX ±0.1
Chr	GEORGE VJ	2005/07/27	0.XX* ±1*	0.XXX ±0.1
Appr	KVSD	2005/07/27	Product family	D-SUB
			size	A3
			Scale	1:1
			ECN	-
			Spec ref	-
title		MALE CONNECT.DELTA D RIGHT ANGLED		Rev.
WITH NUT, HARPOON & METAL PLATE.		C01-8646-0281-1		K
catalog no		DELTA-D		CUSTOMER
		sheet 1 of 1		



Copyright FCI.

REV F - 2006-04-17