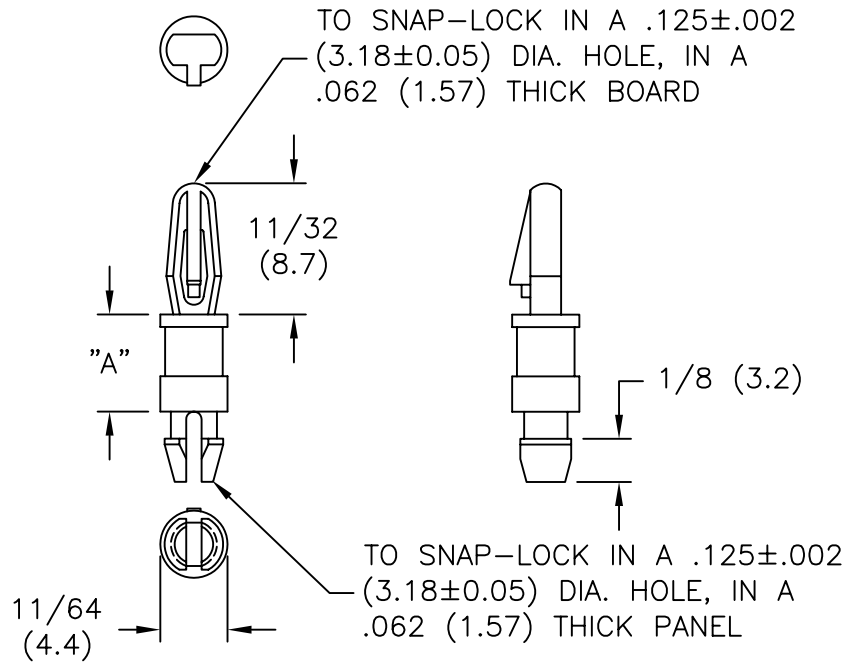
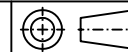


NYLON 6/6 (RMS-01) COLOR: NATURAL PART NO.	FLAME RET. NYLON, (RMS-19) COLOR: NATURAL PART NO.	DIM. "A" ± 0.015 (± 0.4)
LMSP-2-01	LMSP-2-19	1/8 (3.2)
LMSP-3-01	LMSP-3-19	3/16 (4.8)
LMSP-4-01	LMSP-4-19	1/4 (6.4)
LMSP-5-01	LMSP-5-19	5/16 (7.9)
LMSP-6-01	LMSP-6-19	3/8 (9.5)
LMSP-7-01	LMSP-7-19	7/16 (11.1)
LMSP-8-01	LMSP-8-19	1/2 (12.7)
LMSP-9-01	LMSP-9-19	9/16 (14.3)
LMSP-10-01	LMSP-10-19	5/8 (15.9)
LMSP-12-01	LMSP-12-19	3/4 (19.1)
LMSP-14-01	LMSP-14-19	7/8 (22.2)



TITLE: LOCKING MINIATURE SUPPORT POST



DWG IN
IN (MM)



REV	DESCRIPTION	ENGR	DATE
D	REMOVED NOTES AND CHANGED FILE NO.	SM	08.08.02
C	MATERIAL TABLE UPDATED	JL	9.12.97
B	ADDED -7 & -9, AND REDRAWN	JB	07.12.96
A	CONVERTED TO ACAD	PB	05.22.95

TOLERANCES
UNLESS NOTED
.XX= ± 0.10
.XXX= ± 0.005
FRAC= $\pm 1/64$
ANG= $\pm 1^\circ$

FILE # LMSP
MAT'L: SEE NOTES

RE: RICHCO, INC.

DWN: P.B.
DT: 05-22-95

APP:
DT:
RICHCO INC.
PO BOX 804238, CHICAGO, 60680
(773) 539-4060

FINAL
PART #

SEE TABLE
PRINT TYPE
CA