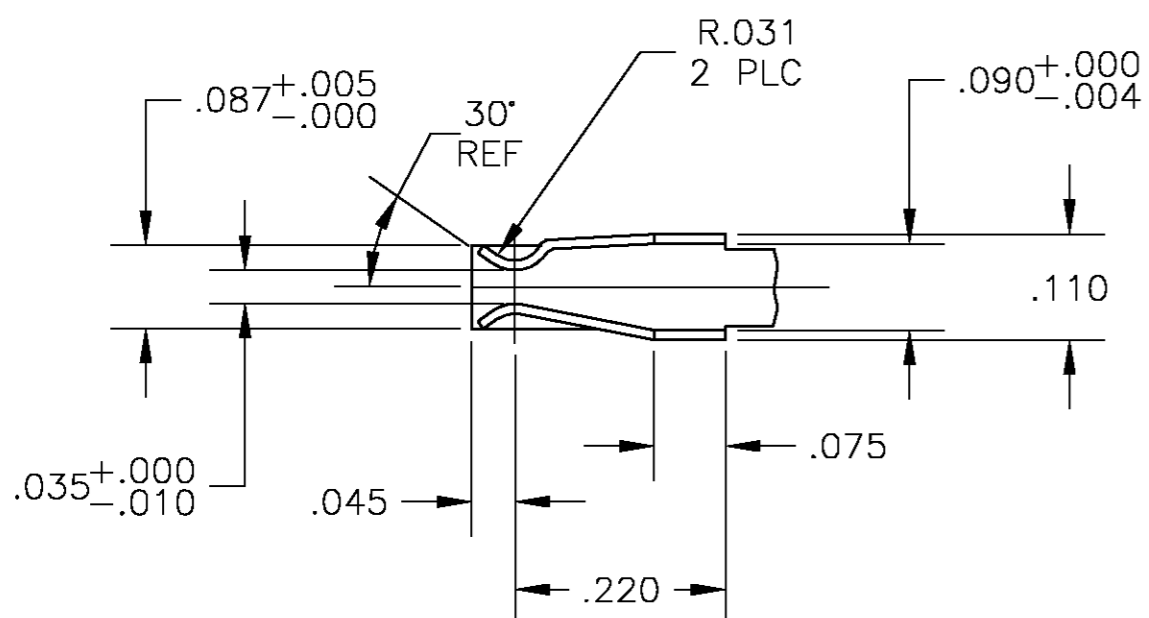
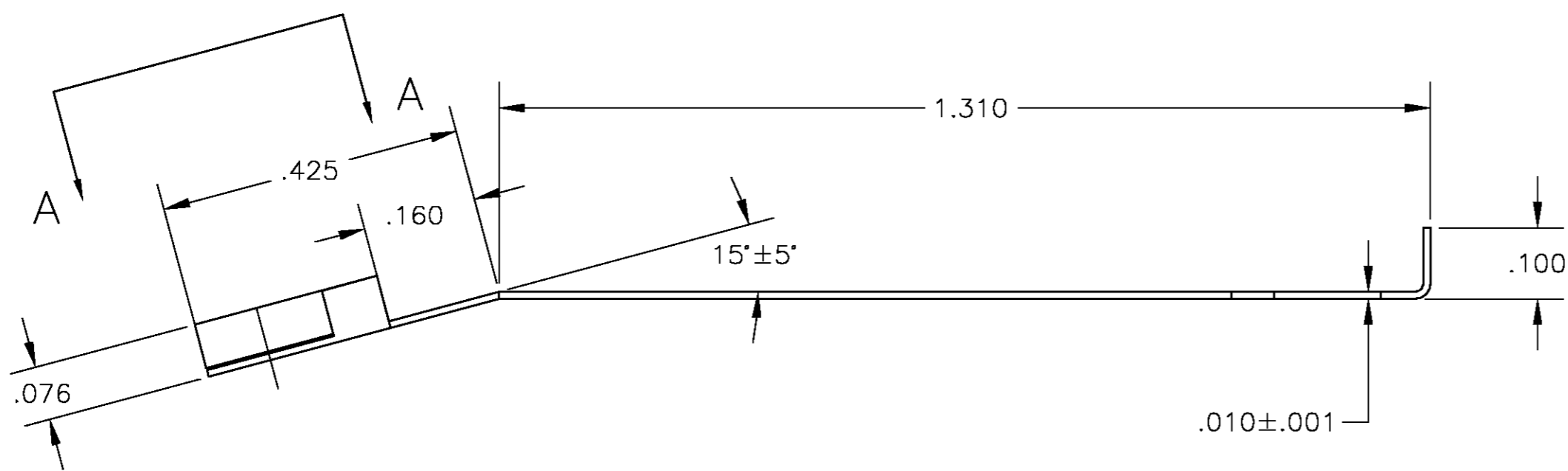
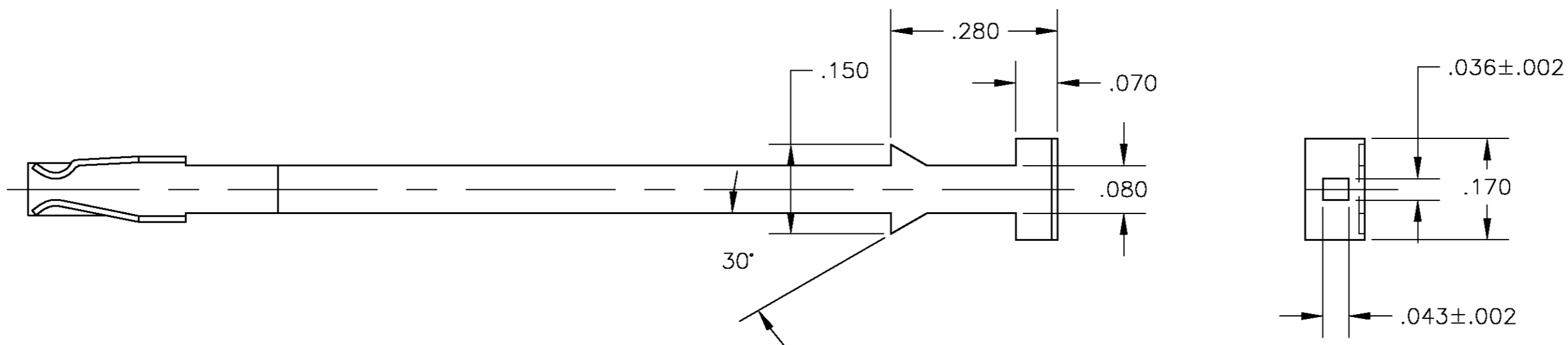


THIS DRAWING IS UNPUBLISHED. RELEASED FOR PUBLICATION
 © COPYRIGHT BY TYCO ELECTRONICS CORPORATION. ALL RIGHTS RESERVED.

LOC	DIST	REVISIONS					
AG	14	P	LTR	DESCRIPTION	DATE	DWN	APVD
		A		REVISED PER 0G63-0116-03	09OCT03	MF	KR

1 SUPPLIED IN LOOSE PIECE



VIEW A-A
 ROTATED 15° CW

1601950-1
 PART NO

THIS DRAWING IS A CONTROLLED DOCUMENT.		DWN	16JAN03	 Tyco Electronics Corporation Harrisburg, PA 17105
DIMENSIONS: INCHES		CHK	16JUN03	
TOLERANCES UNLESS OTHERWISE SPECIFIED:		APVD	16JUN03	
0 PLC ± - 1 PLC ± - 2 PLC ± - 3 PLC ± .010 4 PLC ± - ANGLES ± 1° FINISH -		NAME K RANDOLPH PRODUCT SPEC APPLICATION SPEC WEIGHT -		
MATERIAL: 3/4 HARD BRASS		SIZE	A2	CAGE CODE 00779
		DRAWING NO	C=1601950	
		CUSTOMER DRAWING	SCALE	5:1
		SHEET	1	OF 1
		REV	A	