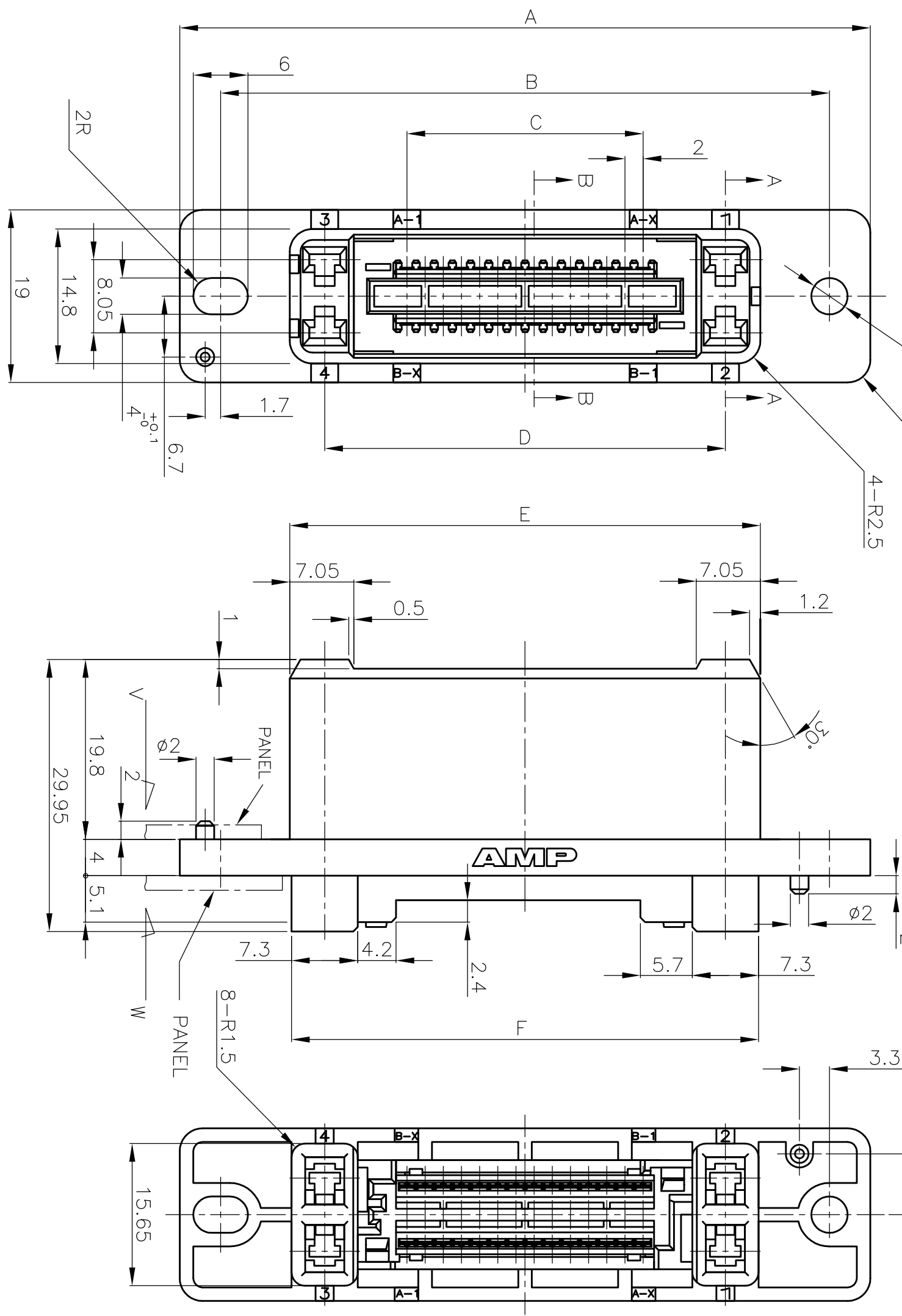
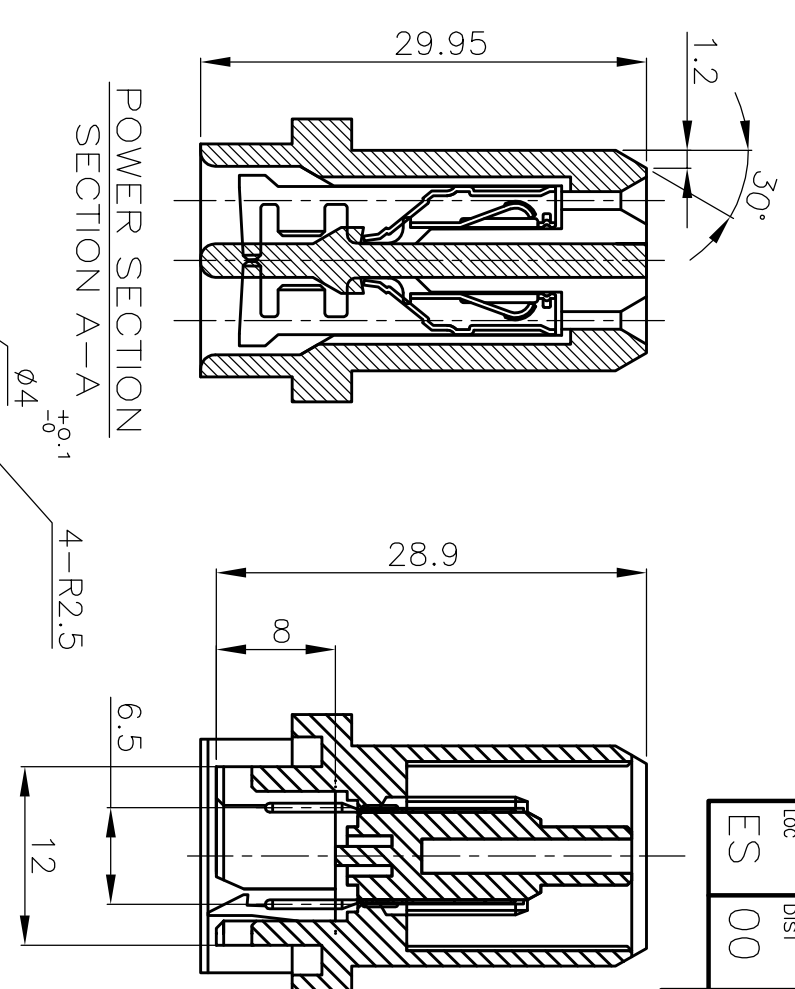
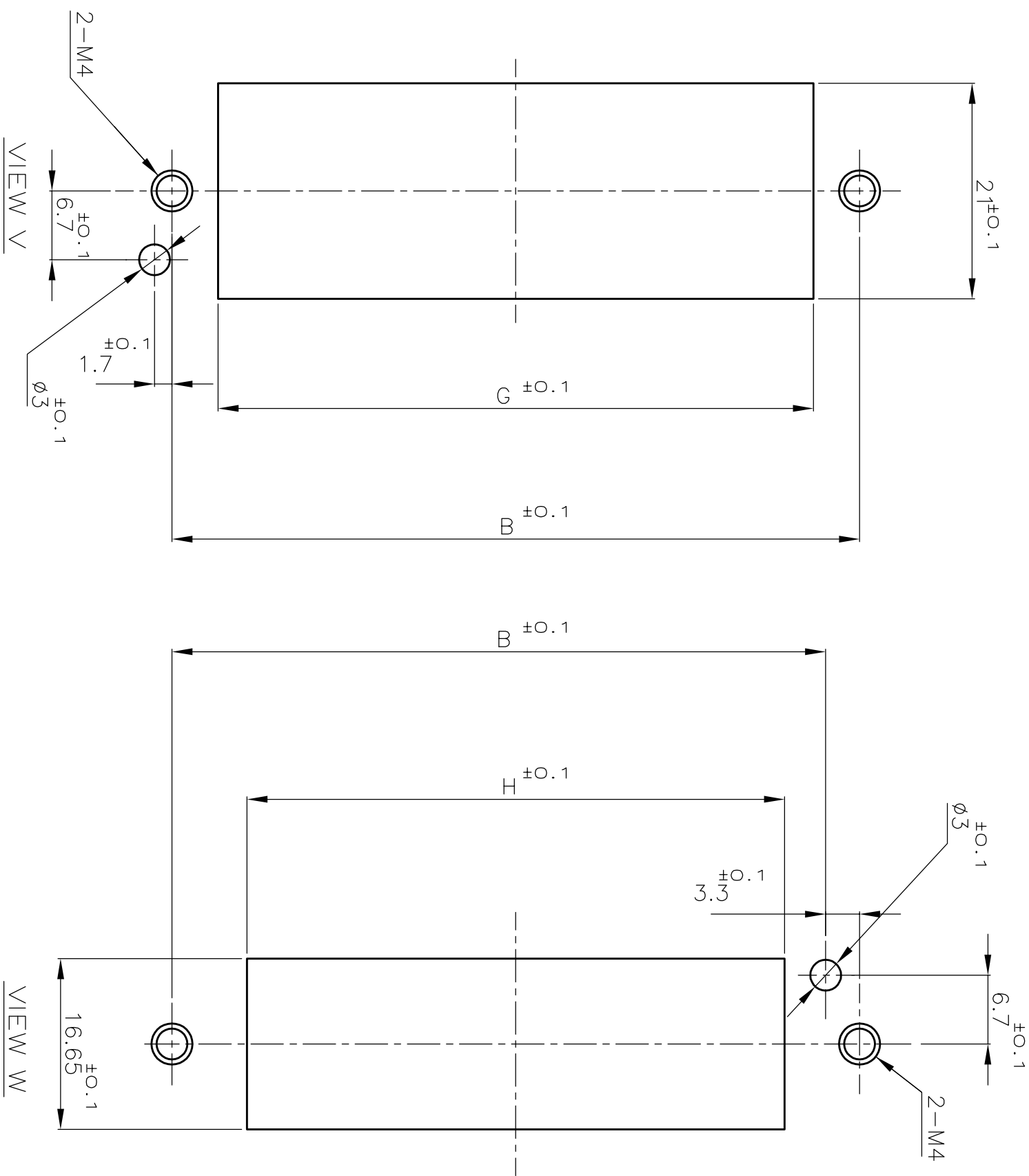


PANEL CUT DIMENSIONS



2	-8	1	-4	2-292181-8	52.4	58	51.4	51.8	44.1	26	67	76	4-28	2	-8
2	-0	1	-0	2-292181-0	44.4	50	43.4	43.8	36.1	18	59	68	4-20	2	-0
1	175133-8	1	173977-4	292182-8	32.4	38	31.4	31.8	24.1	6	47	56	4-8	2	185-8

- NOTES
1. MATERIAL  
 HOUSING: THERMO PLASTIC  
 CONTACT: COPPER ALLOY
  2. CONTACT FINISH  
 MATING SIDE: NICKEL PL. ALL OVER GOLD PL.  
 CT MATING SIDE: NICKEL PL. ALL OVER Sn-100% PL.
  3. APPLIED POWER CONTACT P/N

FINISH	AWG	STRIP	LOOSE PIECE
GOLD	#16~20	179316-4	
PL.	#20~24	179317-4	
TIN	#16~20	1-179316-2	
PL.	#20~24	1-179317-2	

△ P: NUMBER OF POWER CONTACT (UNLOADED)  
 S: NUMBER OF SIGNAL CONTACT (PRELOADED)

TOLERANCE UNLESS OTHERWISE SPECIFIED

10 > \* : ±0.2  
 30 > \* > 10 : ±0.25  
 100 > \* > 30 : ±0.3  
 ANGLE : ±3°

LOC	DIST	REV	DESCRIPTION	DATE	DMN	APPD
ES	00					
B2	REVISED	FOR-08-015695		19JUN08	C.Z	S.Y

THIS DRAWING IS A CONTROLLED DOCUMENT.

APPLIED CT HOLDER P/N  
 APPLIED CTCONN P/N  
 MATING COUNTER P/N  
 H  
 G  
 F  
 E  
 D  
 C  
 B  
 A  
 POS △ (P-S)  
 P/N

TYOO ELECTRONICS CORPORATION  
 SHANGHAI, P.R.CHINA, 200233

HYBRID MINI DRAWER CONN.  
 REC ASS'Y

SCALE: NTS  
 SHEET: 1 OF 1  
 REV: B2