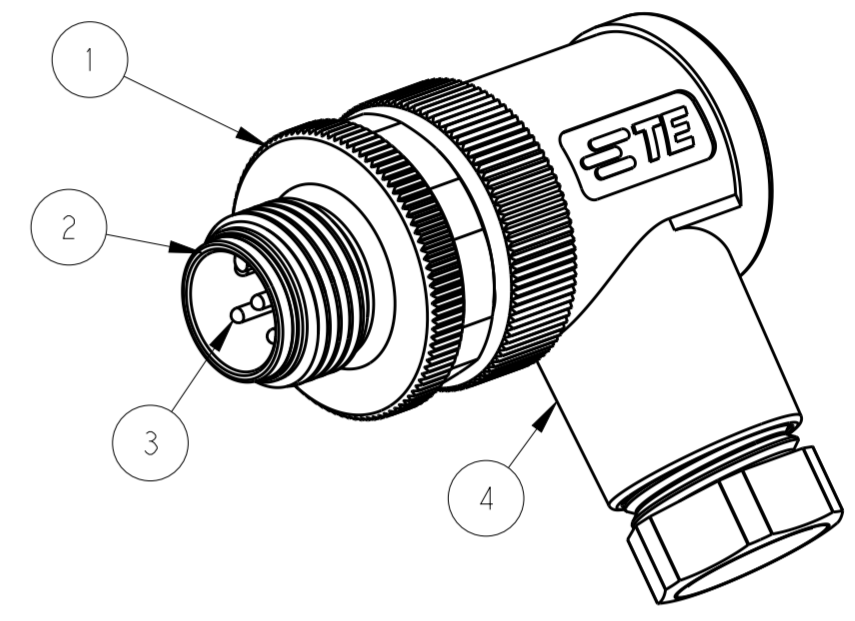
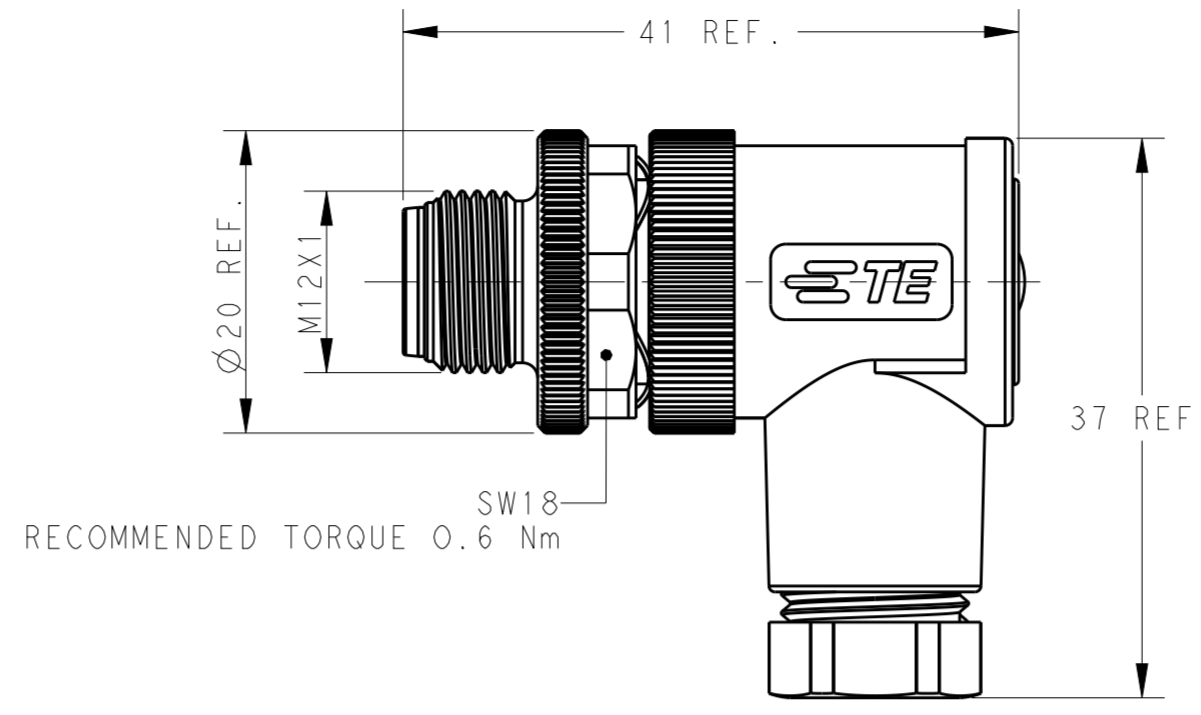
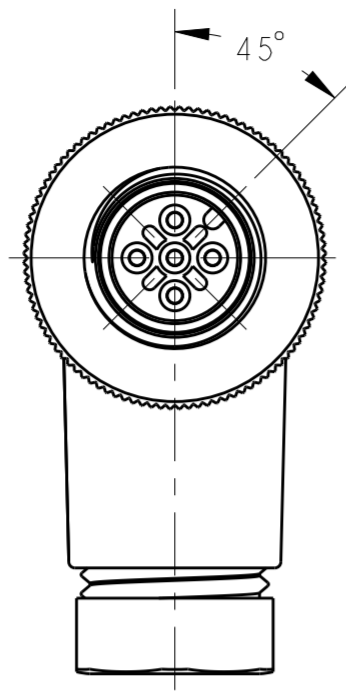


THIS DRAWING IS UNPUBLISHED. RELEASED FOR PUBLICATION 20
 © COPYRIGHT 20 BY - ALL RIGHTS RESERVED.

| REVISIONS | | | | |
|-----------|-----|-----------------------------|-----------|---------|
| P | LTR | DESCRIPTION | DATE | APVD |
| A | | INITIAL RELEASE | 29JUL2015 | N.P X.X |
| A1 | | ECR-15-012625 CORRECT TYPE | 20AUG2015 | N.P X.X |
| A2 | | ECR-15-018715 ADD 114 SPEC. | 29DEC2015 | NP XX |



| TECHNICAL DATA | T411300X02X-000 | T411300X03X-000 | T411300X04X-000 | T411300X05X-000 | T411300X08X-000 |
|-----------------------|-----------------|-----------------|-----------------|-----------------|-----------------|
| RATED VOLTAGE | 250V | 250V | 250V | 60V | 30V |
| RATED CURRENT | 4A | 4A | 4A | 4A | 2A |
| POLLUTION DEGREE | 3 | 3 | 3 | 3 | 3 |
| OVERVOLTAGE CATEGORY | II | II | II | II | II |
| MATERIAL GROUP | II | II | II | II | II |
| CONTACT RESISTANCE | ≤8mΩ | ≤8mΩ | ≤8mΩ | ≤8mΩ | ≤8mΩ |
| INSULATION RESISTANCE | >100MΩ | >100MΩ | >100MΩ | >100MΩ | >100MΩ |
| DEGREE OF PROTECTION | IP67 | IP67 | IP67 | IP67 | IP67 |
| OPERATION TEMPERATURE | -40~85°C | -40~85°C | -40~85°C | -40~85°C | -40~85°C |

NOTE:
 1. MATERIAL:
 ITEM NO.1: NUT -BRASS
 ITEM NO.2: HOUSING -PA
 ITEM NO.3: CONTACT -BRASS
 ITEM NO.4: HOUSING BODY: -PBT+GF
 2. CONTACT FINISH:
 GOLD OVER NICKEL OR SILVER OVER NICKEL
 3. CABLE WIRES:
 18AWG/0.75mm² Max. FOR 2-5 PINS
 20AWG/0.50mm² Max. FOR 8 PINS
 4. ALL DIMENSIONS ARE FOR NOMINAL REFERENCE ONLY UNLESS OTHERWISE STATED
 5. PACKAGEING: 1PIECE IN A BAG
 6. PN INFORMATION

| PIN ARRANGEMENT A-CODE | | |
|------------------------|-----------------|-----------------|
| T411300X02X-000 | T411300X03X-000 | T411300X04X-000 |
| | | |
| T411300X05X-000 | T411300208X-000 | |
| | | |

| | |
|-----------------|-------------------------|
| T4113002081-000 | RPC-M12A-MR-8CON-PG9-MU |
| T4113002082-000 | RPC-M12A-MR-8CON-PG9-M |
| T4113001081-000 | RPC-M12A-MR-8CON-PG7-MU |
| T4113001082-000 | RPC-M12A-MR-8CON-PG7-M |
| T4113002051-000 | RPC-M12A-MR-5CON-PG9-MU |
| T4113001051-000 | RPC-M12A-MR-5CON-PG7-MU |
| T4113002052-000 | RPC-M12A-MR-5CON-PG9-M |
| T4113001052-000 | RPC-M12A-MR-5CON-PG7-M |
| T4113002041-000 | RPC-M12A-MR-4CON-PG9-MU |
| T4113001041-000 | RPC-M12A-MR-4CON-PG7-MU |
| T4113002042-000 | RPC-M12A-MR-4CON-PG9-M |
| T4113001042-000 | RPC-M12A-MR-4CON-PG7-M |
| T4113002031-000 | RPC-M12A-MR-3CON-PG9-MU |
| T4113001031-000 | RPC-M12A-MR-3CON-PG7-MU |
| T4113002032-000 | RPC-M12A-MR-3CON-PG9-M |
| T4113001032-000 | RPC-M12A-MR-3CON-PG7-M |
| T4113002021-000 | RPC-M12A-MR-2CON-PG9-MU |
| T4113001021-000 | RPC-M12A-MR-2CON-PG7-MU |
| T4113002022-000 | RPC-M12A-MR-2CON-PG9-M |
| T4113001022-000 | RPC-M12A-MR-2CON-PG7-M |
| TE PN | TYPE |

T411300XXX-000
 CONTACT FINISH:
 1: GOLD OVER NICKEL
 2: SILVER OVER NICKEL
 NUMBERS OF PINS:
 02: 2 PINS
 03: 3 PINS
 04: 4 PINS
 05: 5 PINS
 08: 8 PINS
 CABLE OUTLET:
 1: PG7(CABLE FEED: 4-6mm)
 2: PG9(CABLE FEED: 6-8mm)
 BRAND:
 T: W/ TE LOGO
 N: W/O LOGO

| | | | | |
|--|--|---|---|------------------------------|
| THIS DRAWING IS A CONTROLLED DOCUMENT. | | DWN HAO WANG 08DEC2014 | TE Connectivity | |
| | | CHK KOBBY ZHAO 08DEC2014 | | |
| | | APVD XIANG XU 08DEC2014 | NAME M12 MALE, A CODE, RA UNSHIELDED CONNECTOR SCREW TERMINAL | |
| DIMENSIONS: mm | | TOLERANCES UNLESS OTHERWISE SPECIFIED: 0 PLC ±0.2 1 PLC ±0.2 2 PLC ±0.2 3 PLC ± 4 PLC ± ANGLES ±2 FINISH - | PRODUCT SPEC 108-106140 | SIZE A2 |
| MATERIAL - | | | APPLICATION SPEC 114-137144 | CAGE CODE - |
| | | | WEIGHT - | DRAWING NO. C-T411300XXXX000 |
| | | | Customer Drawing | RESTRICTED TO - |
| | | | SCALE 2:1 | SHEET 1 OF 1 REV A2 |