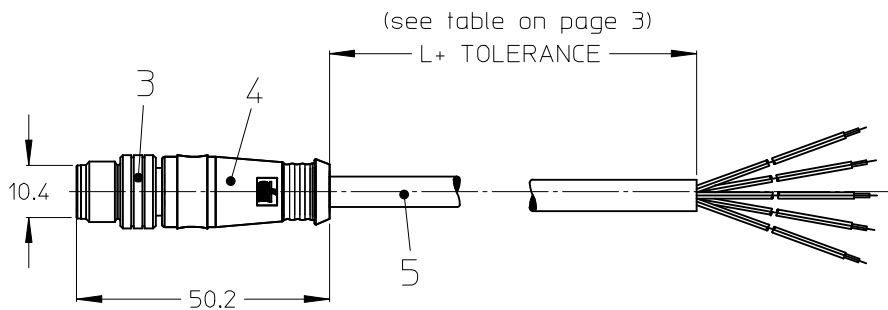
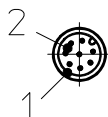


# STRAIGHT PLUG MALE



### NOTES:

TEMPERATURE RANGE SEE TABLE ON PAGE 2

CONTACT CURRENT RATING 3-5 POLES 4A  
8 POLES 2A

VOLTAGE RATING 3-4 POLES 250V  
5 POLES 60V  
8 POLES 30V

PROTECTION CLASS IP 67

### TOLERANCES

≤ 1m +20/-10mm  
1m - 5m ± 25mm  
5m - 10m ± 30mm  
> 10m ± 30mm  
> 20m ± 50mm

3 WIRE		4 WIRE		5 WIRE		8 WIRE	
PIN #	WIRE	PIN #	WIRE	PIN #	WIRE	PIN #	WIRE
1	BROWN	1	BROWN	1	BROWN	1	WHITE
2	-	2	WHITE	2	WHITE	2	BROWN
3	BLUE	3	BLUE	3	BLUE	3	GREEN
4	BLACK	4	BLACK	4	BLACK	4	YELLOW
5	-	5	-	5	GREY	5	GREY
						6	PINK
						7	BLUE
						8	RED
REQUIRED TO IEC 60947-5-2				REQUIRED TO DIN 47100			

5	CABLE	SEE TABLE (PAGE 2)	---
4	OVERMOULDING	TPU	BLACK
3	MALE COUPLING NUT	BRASS	NI PLATED
2	PIN CONTACT	BRASS	GOLD PLATED
1	INSERT	PA	BLACK
ITEM	PART	MATERIAL	FINISH

<b>ENTER DESCRIPTION</b> EC NO: IPG2014-0972 DRW:FSCHAFHAUSER 2013/11/26 CHKD:PMERUNKA 2014/06/10 APPR:RSILLER 2014/06/18	QUALITY SYMBOLS 	GENERAL TOLERANCES (UNLESS SPECIFIED)		DIMENSION STYLE <b>MM ONLY</b>		SCALE <b>1:1</b>	DESIGN UNITS METRIC	THIRD ANGLE PROJECTION
		4 PLACES ± --- ± --- 3 PLACES ± --- ± --- 2 PLACES ± 0.05 ± --- 1 PLACE ± 0.10 ± --- 0 PLACE ± --- ± ---	mm INCH ± --- ± --- ± 0.05 ± --- ± 0.10 ± --- ± --- ± ---	DRAWN BY PMERUNKA	DATE 2012/04/20	TITLE <b>CSE M12 XP AC MA STR XM SE UNSH</b>		
DRAFT WHERE APPLICABLE MUST REMAIN WITHIN DIMENSIONS		ANGULAR ± .5 °		APPROVED BY APOHL		DATE 2013/11/18		
MATERIAL NO. <b>SEE TABLE</b>		DOCUMENT NO. <b>SD-120065-049</b>		SHEET NO. <b>1 OF 3</b>		THIS DRAWING CONTAINS INFORMATION THAT IS PROPRIETARY TO MOLEX INCORPORATED AND SHOULD NOT BE USED WITHOUT WRITTEN PERMISSION		

**NUMERICAL CODE** (Available parts see table page 3 ff others on request.)



80 = M12x1  
single ended

poles:  
3 = 3 poles  
4 = 4 poles  
5 = 5 poles

header:  
006 = plug male straight

M = meter  
C = centimeter

length:  
Example  
020 = 2 m

**Cable:**  
E02 = 0,25mm<sup>2</sup>, PVC black  
E03 = 0,34mm<sup>2</sup>, PVC black  
H08 = 0,25mm<sup>2</sup>, PUR black LS0H  
H09 = 0,34mm<sup>2</sup>, PUR black LS0H  
I03 = 0,34mm<sup>2</sup>, PVC grey  
K05 = 0,34mm<sup>2</sup>, TPE yellow  
P02 = 0,25mm<sup>2</sup>, PUR/PVC black  
P03 = 0,34mm<sup>2</sup>, PUR/PVC black  
P82 = 0,34mm<sup>2</sup>, PUR black irradiated  
I20 = 0,34mm<sup>2</sup>, PVC grey

CABLE TYPE	WIRE GAUGE	CABLE JACKET	UL	CSA	static	flexing	drag chain tested	other
E02	0.25mm <sup>2</sup>	PVC black	STYLE 2464	I/III A/B 80°/300V	-30°C to +80°C 5xD	-5°C to +80°C 9xD	---	---
E03	0.34mm <sup>2</sup>	PVC black	STYLE 2464	I/III A/B 80°/300V	-30°C to +80°C 5xD	-5°C to +80°C 9xD	---	---
H08	0.25mm <sup>2</sup>	PUR black LS0H	AWM STYLE 21198/10493	APPROVED	-50°C to +80°C 5xD	-25°C to +80°C 10xD	2000000 cycles	---
H09	0.34mm <sup>2</sup>	PUR black LS0H	AWM STYLE 21198/10493	APPROVED	-50°C to +80°C 5xD	-25°C to +80°C 10xD	drag chain 60°C	---
I03	0.34mm <sup>2</sup>	PVC grey	---	---	-30°C to +70°C	-5°C to +70°C	---	---
K05	0.34mm <sup>2</sup>	TPE yellow	ITC E195601 or PLTC	AWM I/III A/B FT4 LL54185	---	---	---	CSA-US: ITC LL54185-02
P02	0.25mm <sup>2</sup>	PUR/PVC black	not applicable	not applicable	-30°C to +80°C 7xD	-5°C to +80°C 15xD	---	---
P03	0.34mm <sup>2</sup>	PUR/PVC black	not applicable	not applicable	-30°C to +80°C 7xD	-5°C to +80°C 15xD	---	---
P82	0.34mm <sup>2</sup>	irrad. PUR orange	---	---	-50°C to +105°C 5xD	-40°C to +105°C 7.5xD	---	---
I20	0.34mm <sup>2</sup>	PVC grey	---	---	-30°C to +70°C	-5°C to +70°C	---	---

ENTER DESCRIPTION EC NO: IPG2014-0972 DRW:FSCHAFHAUSER 2013/11/26 CHKD:PMERUNKA 2014/06/10 APPR:RSILLER 2014/06/18	QUALITY SYMBOLS ▽=0 ◻=0	GENERAL TOLERANCES (UNLESS SPECIFIED)		DIMENSION STYLE <b>MM ONLY</b>		SCALE <b>1:1</b>	DESIGN UNITS <b>METRIC</b>	THIRD ANGLE PROJECTION	
			mm	INCH	DRAWN BY PMERUNKA	DATE 2012/04/20	TITLE <b>CSE M12 XP AC MA STR XM SE UNSH</b>		
		4 PLACES	± ---	± ---	CHECKED BY RSILLER	DATE 2013/01/18			
		3 PLACES	± ---	± ---	APPROVED BY APOHL	DATE 2013/11/18	DOCUMENT NO. <b>SD-120065-049</b>		
2 PLACES	± 0.05	± ---	MATERIAL NO. <b>SEE TABLE</b>		SHEET NO. 2 OF 3				
1 PLACE	± 0.10	± ---	DRAFT WHERE APPLICABLE MUST REMAIN WITHIN DIMENSIONS		THIS DRAWING CONTAINS INFORMATION THAT IS PROPRIETARY TO MOLEX INCORPORATED AND SHOULD NOT BE USED WITHOUT WRITTEN PERMISSION				
0 PLACE	± ---	± ---	ANGULAR ± .5 °						

PART LIST

PART NUMBER	NUMERICAL CODE	CABLE LENGTH "L" IN M
1200064353	803006E03M003	0.3M
1200658526	803006E03M005	0.5M
1200658565	803006E03M010	1M
1200060240	803006E03M020	2M
1200062017	803006E03M030	3M
1200658566	803006E03M040	4M
1200060241	803006E03M050	5M
1200060242	803006E03M100	10M
1200061611	803006E03M150	15M
1200658892	803006H09M003	0.3M
1200658653	803006H09M010	1M
1200658654	803006H09M015	1.5M
1200658655	803006H09M020	2M
1200658656	803006H09M030	3M
1200658657	803006H09M040	4M
1200658248	803006H09M050	5M
1200658247	803006H09M100	10M
1200060252	803006I03M020	2M
1200060253	803006I03M030	3M
1200658595	803006I03M040	4M
1200060254	803006I03M050	5M
1200651113	803006K05M006	0.6M
1200652035	803006K05M015	1.5M
1200651114	803006K05M020	2M
1200651115	803006K05M025	2.5M
1200651116	803006K05M040	4M
1200651117	803006K05M050	5M
1200651118	803006K05M060	6M
1200651119	803006K05M100	10M
1200060256	803006P03M002	0.2M
1200658055	803006P03M003	0.3M
1200064160	803006P03M005	0.5M
1200064853	803006P03M010	1M
1200060257	803006P03M020	2M
1200060260	803006P03M030	3M
1200658612	803006P03M040	4M
1200060261	803006P03M050	5M
1200658613	803006P03M100	10M
1200064014	803006P82M006	0.6M
1200064375	803006P82M010	1M
1200063077	804006E02M005	0.5M
1200659034	804006E02M050	5M
1200659036	804006E02M070	7M
1200659037	804006E02M100	10M
1200658265	804006E03C550	5M
1200064251	804006E03M003	0.3M
1200064252	804006E03M005	0.5M
1200060558	804006E03M006	0.6M
1200060559	804006E03M010	1M
1200060560	804006E03M020	2M

PART NUMBER	NUMERICAL CODE	CABLE LENGTH "L" IN M
1200062830	804006E03M020	2M
1200060561	804006E03M030	3M
1200658571	804006E03M040	4M
1200060562	804006E03M050	5M
1200659186	804006E03M060	6M
1200658542	804006E03M070	7M
1200060563	804006E03M100	10M
1200060046	804006E03M120	10.2M
1200658876	804006E03M150	10.5M
1200062426	804006E03M200	20M
1200658890	804006H09M003	0.3M
1200658727	804006H09M010	1M
1200658728	804006H09M015	1.5M
1200658729	804006H09M020	2M
1200658730	804006H09M030	3M
1200658731	804006H09M040	4M
1200658732	804006H09M050	5M
1200658733	804006H09M100	10M
1200658895	804006H09M200	20M
1200658325	804006I03M010	1M
1200060565	804006I03M020	2M
1200658601	804006I03M040	4M
1200060567	804006I03M050	5M
1200060568	804006I03M100	10M
1200061023	804006I20M003	0.3M
1200651356	804006K03M005	0.5M
1200652024	804006K03M006	0.6M
1200651357	804006K03M010	1M
1200651359	804006K03M020	2M
1200652027	804006K03M030	3M
1200652025	804006K03M036	3M
1200651360	804006K03M040	4M
1200651361	804006K03M050	5M
1200651362	804006K03M060	6M
1200651128	804006K05M006	0.6M
1200652082	804006K05M010	1M
1200651363	804006K05M030	3M
1200651130	804006K05M040	4M
1200651131	804006K05M050	5M
1200651132	804006K05M060	6M

PART NUMBER	NUMERICAL CODE	CABLE LENGTH "L" IN M
1200651133	804006K05M100	10M
1200061855	804006P03M006	0.6M
1200064347	804006P03M007	0.7M
1200061633	804006P03M010	1M
1200064261	804006P03M011	1.1M
1200060570	804006P03M020	2M
1200060571	804006P03M030	3M
1200652141	804006P03M040	4M
1200060047	804006P03M050	5M

<b>ENTER DESCRIPTION</b> EC NO: IPG2014-0972 DRW:NFSCHAFHAUSER 2013/11/26 CHKD:PMERUNKA 2014/06/10 APPR:RSILLER 2014/06/18	<b>QUALITY SYMBOLS</b> ▽=0 ◻=0	<b>GENERAL TOLERANCES (UNLESS SPECIFIED)</b>		<b>DIMENSION STYLE</b> MM ONLY	<b>SCALE</b> 1:1	<b>DESIGN UNITS</b> METRIC	THIRD ANGLE PROJECTION	
		4 PLACES ± --- ± --- 3 PLACES ± --- ± --- 2 PLACES ± 0.05 ± --- 1 PLACE ± 0.10 ± --- 0 PLACE ± --- ± ---	mm INCH	DRAWN BY: PMERUNKA DATE: 2012/04/20	TITLE: CSE M12 XP AC MA STR XM SE UNSH			
		ANGULAR ± .5 °		CHECKED BY: RSILLER DATE: 2013/01/18	<b>molex</b>			
		DRAFT WHERE APPLICABLE MUST REMAIN WITHIN DIMENSIONS		APPROVED BY: APOHL DATE: 2013/11/18	MATERIAL NO. SEE TABLE	DOCUMENT NO. SD-120065-049	SHEET NO. 3 OF 3	