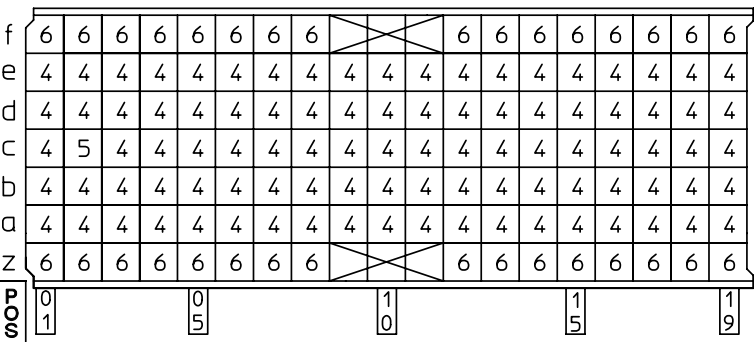


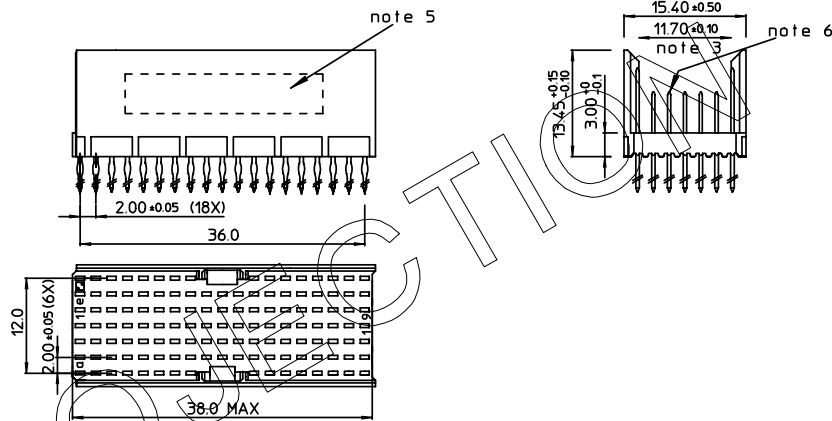
GEN. ST.	01	02	03	04	05	06	07	08	0D	50	60	70	80	90																	
INT. ST.	10	11	12	13	14	18	20	31	32	33	34	38	39	40	42	43	44	45	46	48	56	70	72	73	75	76	81	82	83	84	88

REV.	DATE	DESCRIPTION	BY	C'K'D'
A	2002-01-08	B20004	M.FRET	
B	2002-05-28	EC B20086	MF	
C	2005-09-02	105-0153	ALEX B	BKP
D	2006-08-11	106-0146	ALEX B	BKP

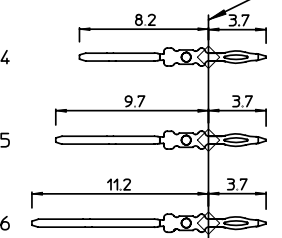
**LOADING PATTERN MATING SIDE**



**LOADED CONNECTOR ASSEMBLY (FOR EXAMPLE)**

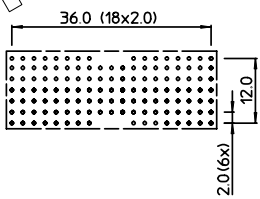


**CONTACT OVERVIEW**



SEATING PLANE FOR CONNECTOR

**LAY-OUT P.C.B.-HOLE**



LEAD FREE INDICATOR : LF = LEAD FREE (DIGIT 15 & 16)

HM2P67PDS241

PLATING CODE (DIGIT 13 AND 14) (REF DWG No. BS,C ,201844,003)

**NOTES:**

1. THIS PRODUCT IS CSA APPROVED.
2. THIS PRODUCT IS UL RECOGNIZED.
3. MEASURED AT THE BOTTOM.
4. MATERIAL CONTACT: PHOSPHORBRONZE  
HOUSING: CREAM WHITE GLASSFILLED POLYESTER UL-94V0
5. CONNECTOR PRINTED WITH P/N AND DATE CODE.
6. FOR ACTUAL CONTACT LOADINGS, SEE LOADING PATTERN MATING SIDE.
7. SHAPE OF CONNECTOR HOUSING CAN ALTER DEPENDING ON PRODUCTION LOCATION.
8. THE PRODUCT (LF) MEETS EUROPEAN UNION DIRECTIVES AND OTHER COUNTRY REGULATIONS AS DESCRIBED IN GS-22-008
9. FOR RECOMMENDED PTH DIMENSIONS REFER DRAWING : BS,A ,201572,001

1DEC ±0,2 2DEC ±0,1 ANGLES ±1°	<b>APPR.</b>	<b>DATE</b>	<b>SIGN.</b>	MPACS 5+2R STR HDR CONN TYPE AB
	DRAFT	2002-01-07	M.Fret	<b>CAT. No.</b> HM2P67PDS241----
WE RESERVE THE RIGHT TO CHANGE DIMENSIONS OR REQUIREMENTS WITHOUT PRIOR NOTICE.	PROD. MGR.			<b>FCJ</b> www.fciconnect.com
ALL DIMENSIONS IN MM	PR. ENG. MGR.			
	PR. MGT. MGR.			<b>SCALE</b>
<b>REFERENCES</b>				BS,C ,202788 ,174
				D
DRAWING No.				CUSTOMER DRAWING
				REVISION

THIS IS OUR EXCLUSIVE PROPERTY. IT IS NOT TO BE COPIED, REPRINTED OR DISCLOSED TO A THIRD PARTY. NOR USED FOR MANUFACTURING WITHOUT OUR WRITTEN CONSENT, AND HAS TO BE RETURNED TO US IN CASE OF NO USAGE. DIT IS ONZE EIENDIGEN EN MAG HOEGEMAAKT. HERDRUKT, OVERGEHAAKT AAN DERDEN, NOCH VOOR FABRIKATIE GEBRUIKT WORDEN, ZONDER ONZE SCHRIFTELIJKE TOELATING, BIJ NIET GEBRUIK IS TERUGZENDING VERPLICHT.