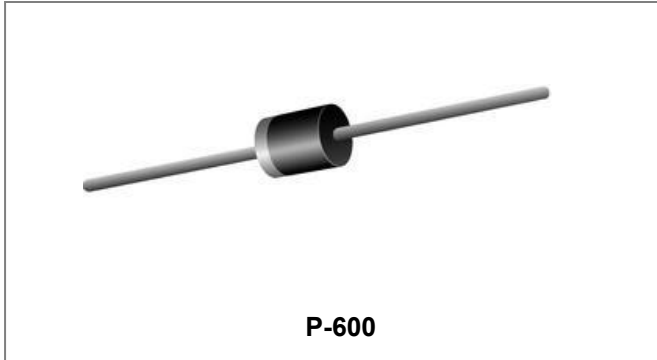


20KPA SERIES GLASS PASSIVATED TRANSIENT VOLTAGE SUPPRESSOR



Features

- Plastic package has Underwriters Laboratory Flammability Classification 94V-0
- Glass Passivated Junction
- 20000W Peak Pulse Power Capability on 10/1000 μ s waveform
- Voltage-20.0 to 300 Volts
- Excellent Clamping Capability
- Repetition rate (duty cycle): 0.05%
- Low incremental surge resistance
- Fast Response Time: typically less than 1.0 ps from volts to BV
- High temperature soldering guaranteed: 265°C/10 seconds/.375" , (9.5mm) lead length, 5lbs., (2.3kg) tension
- This is a Pb – Free Device
- All SMC Parts are Traceable to the Wafer Lot
- Additional testing can be offered upon request

Mechanical Data

- Case: Molded Plastic over glass passivated junction
- Terminals: Plated Axial leads , Solderable per MIL-STD 750, Method 2026
- Polarity: Color Band denoted positive end (cathode) except Bipolar
- Mounting Position: Any
- Weight:2.1 grams(approx.)

Circuit Diagram



Maximum Ratings and Thermal Characteristics@T_A=25°C unless otherwise specified

Parameter	Symbol	Value	Unit
Peak Pulse Power Dissipation on 10x1000 μ s Waveform(Note 1)	P _{PPM}	20000	W
Peak Pulse Current on 10x1000 μ s Waveform(Note 1)	I _{PPM}	See Table 1	A
Steady State Power Dissipation at T _L =75°C Lead Lengths .375", (9.5mm)(Note 2)	P _{M(AV)}	8.0	W
Peak Forward Surge Current, 8.3ms Sine-Wave Superimposed on Rated Load, (JEDEC Method)(Note 3)	I _{FSM}	400.0	A
Typical Thermal Resistance Junction to Lead	R _{θJL}	8.0	°C/W
Typical Thermal Resistance Junction to Ambient	R _{θJA}	40	°C/W
Operating Junction and Storage Temperature Range	T _J ,T _{STG}	-55 to 150	°C

- Notes:**
1. Non-repetitive current pulse, per Fig. 3 and derated above T_A = 25°C per Fig. 2.
 2. Mounted on copper pad area of 0.8" × 0.8" (20 × 20mm)
 3. 8.3ms single half sine wave, or equivalent square, duty cycle=4 pulses per minute maximum.

Electrical Characteristics @T_A=25°C unless otherwise specified

UNI-POLAR	BI-POLAR	REVERSE STANDOFF VOLTAGE V _{RWM} (V)	BREAKDOWN VOLTAGE V _{BR} (V) MIN. @ I _T	BREAKDOWN VOLTAGE V _{BR} (V) MAX. @ I _T	TEST CURRENT (I _T) mA	PEAK PULSE CURRENT I _{PP} (A)	REVERSE LEAKAGE @ V _{RWM} I _R (μA)	MAXIMUM CLAMPING VOLTAGE @I _{PP} V _C (V)
20KPA20A	20KPA20CA	20.00	25.60	28.00	50	543.0	5000	36.8
20KPA24A	20KPA24CA	24.00	26.68	29.48	50	485.0	5000	41.2
20KPA26A	20KPA26CA	26.00	28.88	31.92	50	446.0	2000	44.8
20KPA28A	20KPA28CA	28.00	31.12	34.40	50	417.0	1000	48.0
20KPA30A	20KPA30CA	30.00	33.32	36.84	5	388.0	250	51.6
20KPA32A	20KPA32CA	32.00	35.56	39.32	5	368.0	150	54.4
20KPA34A	20KPA34CA	34.00	37.76	41.60	5	347.0	50	57.6
20KPA36A	20KPA36CA	36.00	40.00	44.40	5	325.0	20	61.6
20KPA40A	20KPA40CA	40.00	44.40	49.20	5	294.0	15	68.0
20KPA44A	20KPA44CA	44.00	48.80	54.00	5	275.0	10	72.8
20KPA48A	20KPA48CA	48.00	53.20	58.80	5	251.0	10	79.6
20KPA52A	20KPA52CA	52.00	57.60	63.60	5	233.0	10	86.0
20KPA56A	20KPA56CA	56.00	62.40	68.80	5	216.0	10	92.8
20KPA60A	20KPA60CA	60.00	66.80	74.00	5	205.0	10	97.6
20KPA64A	20KPA64CA	64.00	71.20	78.80	5	192.0	10	104.0
20KPA68A	20KPA68CA	68.00	75.60	83.60	5	181.0	10	110.4
20KPA72A	20KPA72CA	72.00	80.00	88.40	5	171.0	10	116.8
20KPA80A	20KPA80CA	80.00	88.80	98.00	5	154.0	10	129.6
20KPA88A	20KPA88CA	88.00	97.60	107.60	5	141.0	10	142.0
20KPA96A	20KPA96CA	96.00	106.80	118.00	5	129.0	10	155.6
20KPA104A	20KPA104CA	104.00	115.60	127.60	5	119.0	10	168.4
20KPA112A	20KPA112CA	112.00	124.40	137.60	5	110.0	10	181.6
20KPA120A	20KPA120CA	120.00	133.20	147.20	5	103.0	10	193.6
20KPA132A	20KPA132CA	132.00	146.80	162.40	5	93.8	10	213.2
20KPA144A	20KPA144CA	144.00	160.00	176.80	5	86.1	10	232.4
20KPA160A	20KPA160CA	160.00	177.60	196.40	5	77.5	10	258.0
20KPA172A	20KPA172CA	172.00	191.20	211.20	5	72.0	10	277.6
20KPA180A	20KPA180CA	180.00	200.00	221.20	5	68.8	10	290.8
20KPA192A	20KPA192CA	192.00	213.20	235.60	5	64.6	10	309.6
20KPA204A	20KPA204CA	204.00	226.80	250.80	5	60.7	10	329.6
20KPA216A	20KPA216CA	216.00	240.00	265.20	5	57.4	10	348.4
20KPA232A	20KPA232CA	232.00	257.60	284.80	5	53.4	10	374.4
20KPA240A	20KPA240CA	240.00	266.80	294.80	5	51.7	10	387.2
20KPA256A	20KPA256CA	256.00	284.40	314.40	5	48.5	10	412.0
20KPA280A	20KPA280CA	280.00	311.20	344.00	5	44.2	10	452.0
20KPA300A	20KPA300CA	300.00	333.20	368.40	5	41.3	10	484.0

For bidirectional type having V_{rwm} of 40 volts and less, the I_R limit is double.
For parts without A, the V_{BR} is ± 10%

Ratings and Characteristics Curves

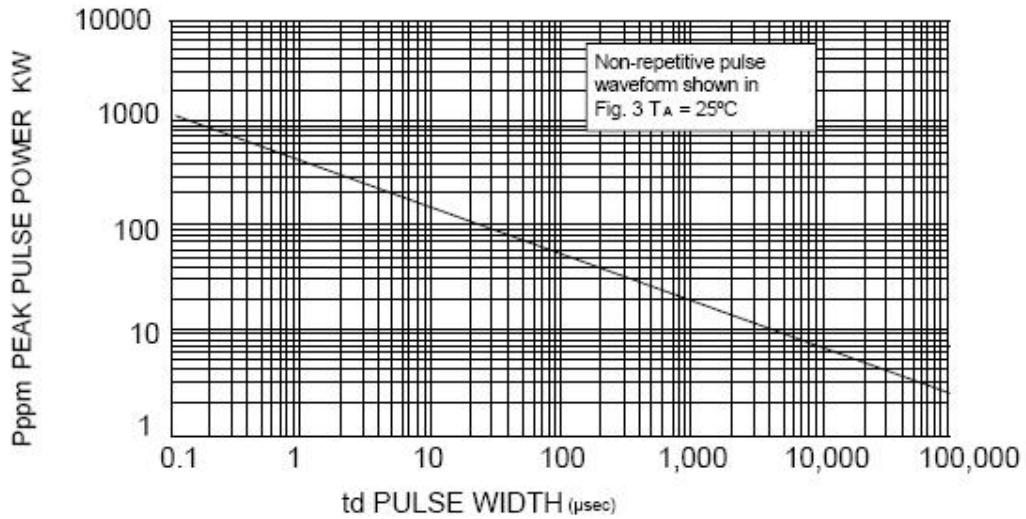
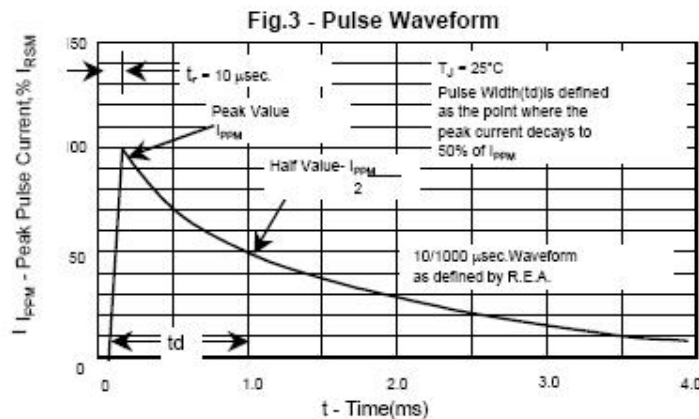
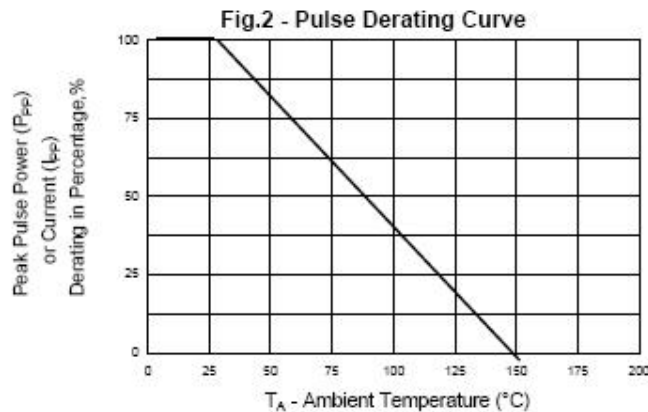
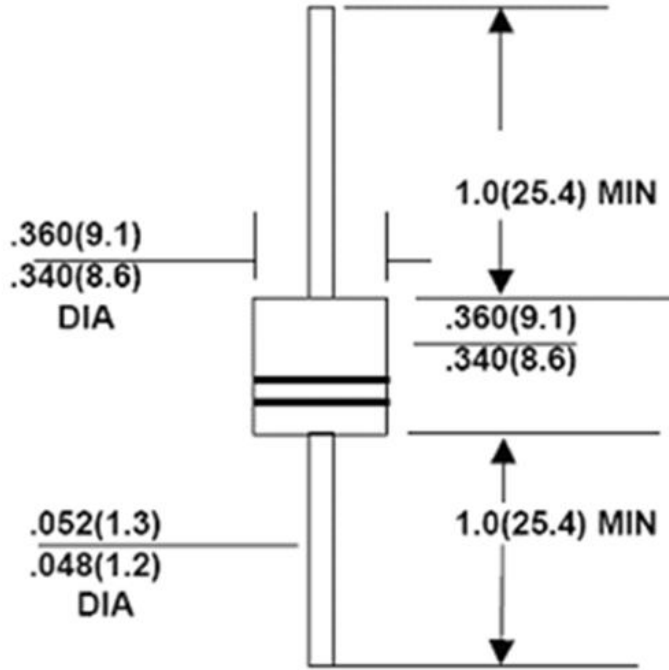


FIG. 1 PEAK PULSE POWER RATING



Mechanical Dimensions P-600(Inches/Millimeters)



Ordering Information

Device	Package	Shipping
20KPAxxxXX	P-600(Pb-Free)	300pcs /tape
20KPAxxxXXTR	P-600(Pb-Free)	800pcs / reel

For information on tape and reel specifications, including part orientation and tape sizes, please refer to our tape and reel packaging specification.

Marking Diagram

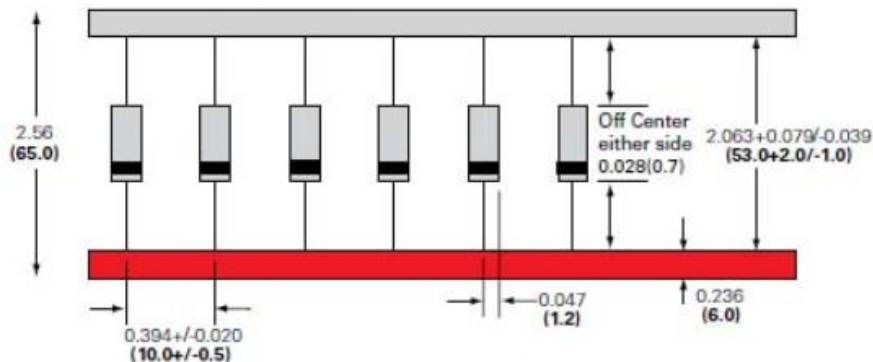


Where XXXXX is YYWWL

20KPA20A = Part Name
YY = Year
WW = Week
L = Lot Number

Cautions: Molding resin
Epoxy resin UL:94V-0

Carrier Tape Specification P-600



- China - Germany - Korea - Singapore - United States •
- <http://www.smc-diodes.com> - sales@smc-diodes.com •

DISCLAIMER:

1- The information given herein, including the specifications and dimensions, is subject to change without prior notice to improve product characteristics. Before ordering, purchasers are advised to contact the SMC - Sangdest Microelectronics (Nanjing) Co., Ltd sales department for the latest version of the datasheet(s).

2- In cases where extremely high reliability is required (such as use in nuclear power control, aerospace and aviation, traffic equipment, medical equipment, and safety equipment), safety should be ensured by using semiconductor devices that feature assured safety or by means of users' fail-safe precautions or other arrangement.

3- In no event shall SMC - Sangdest Microelectronics (Nanjing) Co., Ltd be liable for any damages that may result from an accident or any other cause during operation of the user's units according to the datasheet(s). SMC - Sangdest Microelectronics (Nanjing) Co., Ltd assumes no responsibility for any intellectual property claims or any other problems that may result from applications of information, products or circuits described in the datasheets.

4- In no event shall SMC - Sangdest Microelectronics (Nanjing) Co., Ltd be liable for any failure in a semiconductor device or any secondary damage resulting from use at a value exceeding the absolute maximum rating.

5- No license is granted by the datasheet(s) under any patents or other rights of any third party or SMC - Sangdest Microelectronics (Nanjing) Co., Ltd.

6- The datasheet(s) may not be reproduced or duplicated, in any form, in whole or part, without the expressed written permission of SMC - Sangdest Microelectronics (Nanjing) Co., Ltd.

7- The products (technologies) described in the datasheet(s) are not to be provided to any party whose purpose in their application will hinder maintenance of international peace and safety nor are they to be applied to that purpose by their direct purchasers or any third party. When exporting these products (technologies), the necessary procedures are to be taken in accordance with related laws and regulations..