



MODEL: SP-2805
PRODUCT: Dynamic Speaker
EDITION: A/2016

Soberton Inc.

THIS SPECIFICATION COVERS OUR PRODUCT OF DYNAMIC SPEAKER UNIT FOR MOBILE PHONE USE

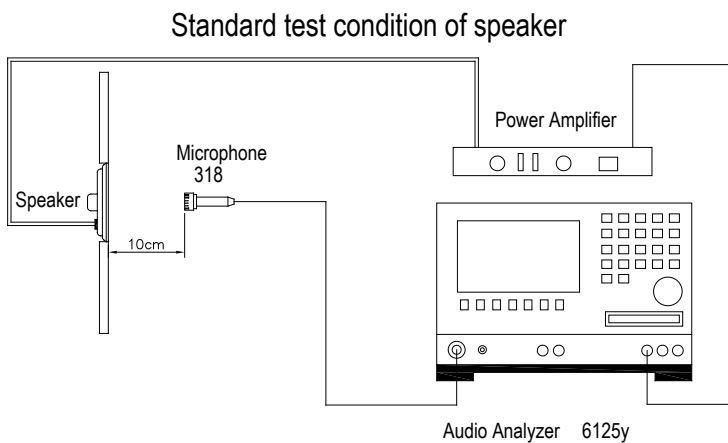
DYNAMIC SPEAKER ELECTROACOUSTIC CHARACTERISTICS

sound pressure level	91±3dB SPL @0.8, 1.0, 1.5 and 2.0KHz in average (0dB SPL=20µPa)
measuring condition	1W (Sine wave) 10cm measured with baffler shown in Fig.1
ac impedance	8±15%Ω (@ 2 KHz 1V) without baffler
frequency response curve	As shown in Fig.2
response frequency	600 ± 20%Hz @ 1V. (Without Baffler)
rated noise power	0.3W
short-term max. power	0.5W must be normal at a white noise (1W, F ₀ -20KHz) for 1 minute
operation test	Must be free audible noise (buzzes and rattles) 300 ~8KHz frequency range ,input level up to 1.6Vrms
distortion	Less than 10% @1KHz , 0.1M , 0.1W frequency range, input level up to 0.1W

GENERAL SPECIFICATIONS

operating temperature range	-20°C ~ +60°C
storage temperature range	-30°C ~ +70°C
standard test conditions	
temperature	17°C ~ 25°C
relative humidity	45% ~ 80%(RH)
dimension	ø28 x 5.4mm

MEASURING METHOD (SPEAKER MODE) (Figure 1)



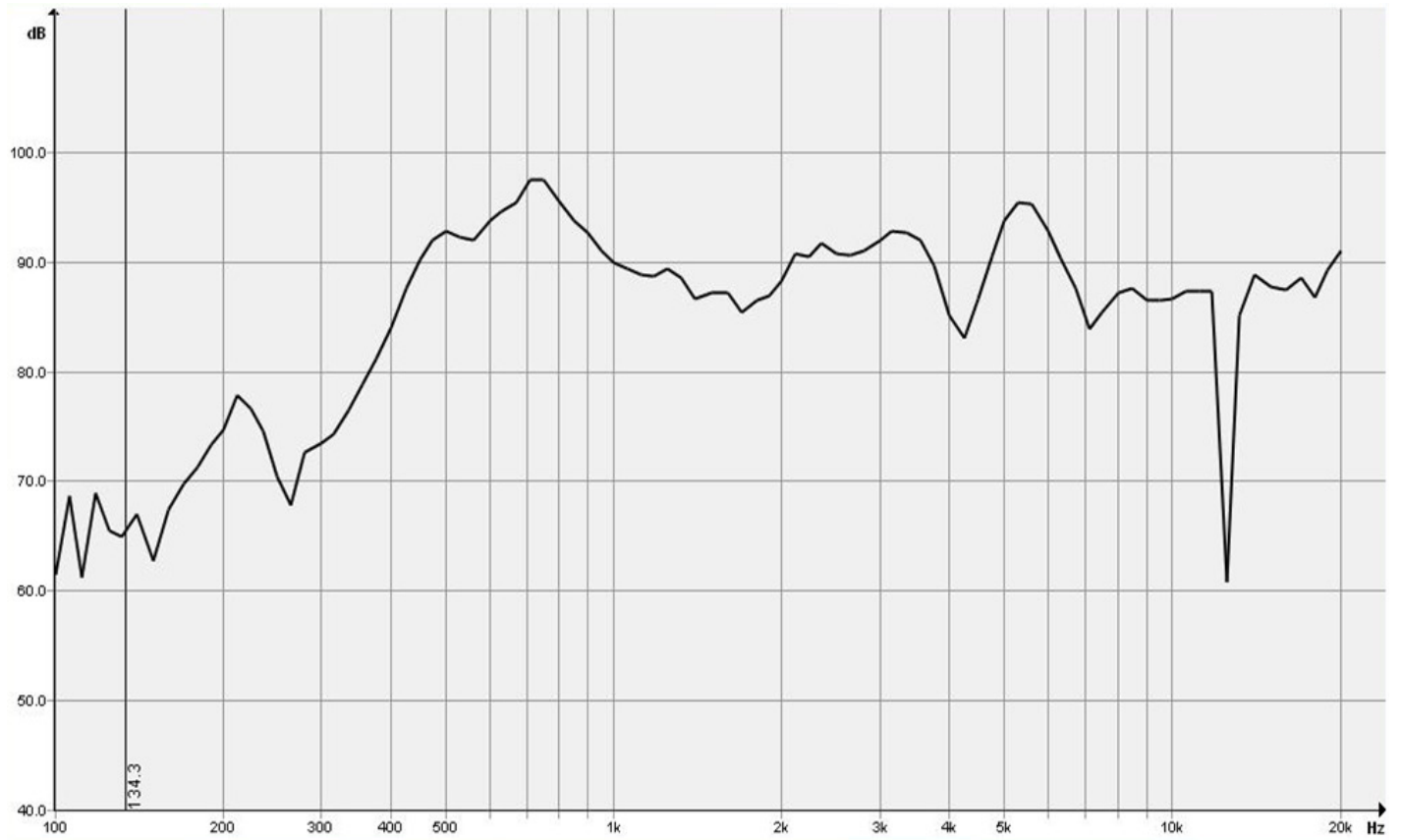
TEST CONDITION	
STANDARD	
temperature	15 ~ 35°C
relative humidity	45% ~ 85%
atmospheric pressure	860mbar to 1060mbar.
STANDARD TEST FIXTURE	
input power	0.1W (0.89V)
zero level	-dB
mode	TSR
potentiometer range	50dB
sweep time	0.5sec



MODEL: SP-2805
PRODUCT: Dynamic Speaker
EDITION: A/2016

Soberton Inc.

TYPICAL FREQUENCY RESPONSE CURVE (Figure 2)





MODEL: SP-2805
PRODUCT: Dynamic Speaker
EDITION: A/2016

RELIABILITY TESTS

The sound pressure as specified shall neither deviate more than $\pm 3\text{dB}$ from the initial value, nor have any significant damage after any of following testing.

HIGH TEMPERATURE TEST

high temperature	$+60\pm 2^\circ\text{C}$
duration	96 hours

LOW TEMPERATURE TEST

low temperature	$-20\pm 2^\circ\text{C}$
duration	96 hours

HEAT SHOCK TEST

high temperature	$+60\pm 2^\circ\text{C}$
low temperature	$-20\pm 2^\circ\text{C}$
duration	1 hour
changeover time	< 30 seconds
cycle	100

HUMIDITY TEST

temperature	$+20\pm 2^\circ\text{C}$
relative humidity	90~95%
duration	96 hours

TEMPERATURE CYCLE TEST

temperature	-20°C	$+60^\circ\text{C}$
duration	45 minutes	45 minutes
temperature gradient	1~3 $^\circ\text{C}/\text{min}$.	
cycle	25	

DROP TEST

mounted with dummy set mass	100 g
height	1.5 m
cycle	6 (1 each plain) onto the concrete board

LOAD TEST

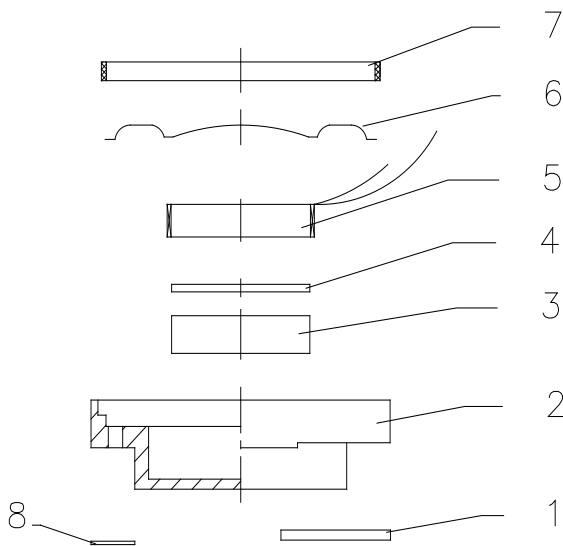
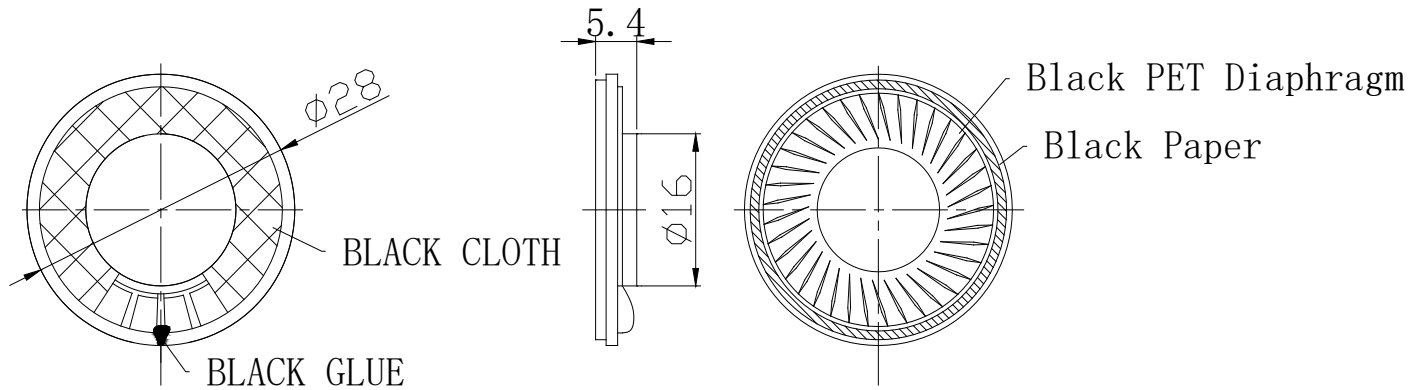
noise signal	White noise (EIA filter)
input power	0.3W
duration	96 hours



MODEL: SP-2805
PRODUCT: Dynamic Speaker
EDITION: A/2016

DIMENSIONS

Tolerance: ±0.5 (unit: mm)



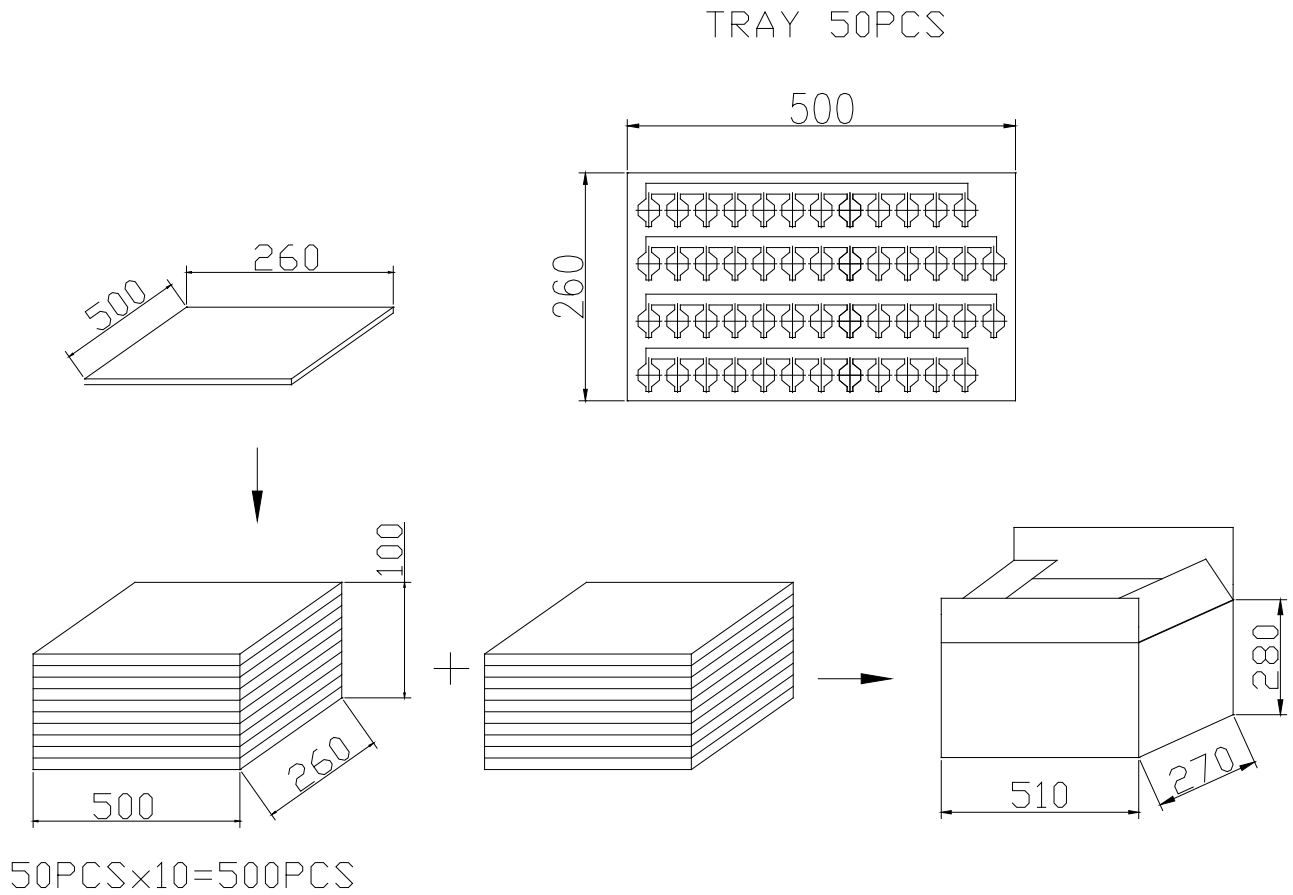
no	item	material	quantity
1	PCB	FR-4	1
2	Frame	SPCC	1
3	Main Magnet	Φ12.5×1.5-N38	1
4	Plate	φ12.7×0.8 SPCC	1
5	Voice Coil	Copper	1
6	Diaphragm	PET	1
7	Gasket	black paper	1
8	Silk Screen	black cloth	1



MODEL: SP-2805
PRODUCT: Dynamic Speaker
EDITION: A/2016

Soberton Inc.

PACKING



TRAY	500X260X10mm	1X50PCS=50PCS
CARTON BOX	510X270X280mm	20X50PCS=1000PCS