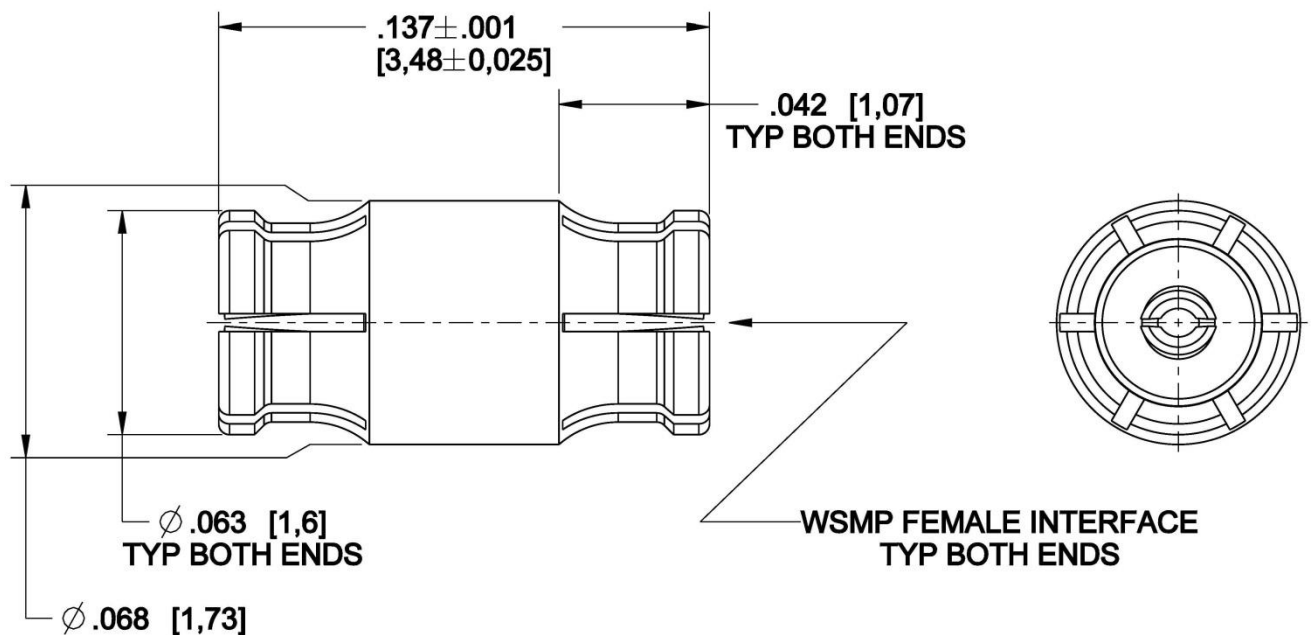
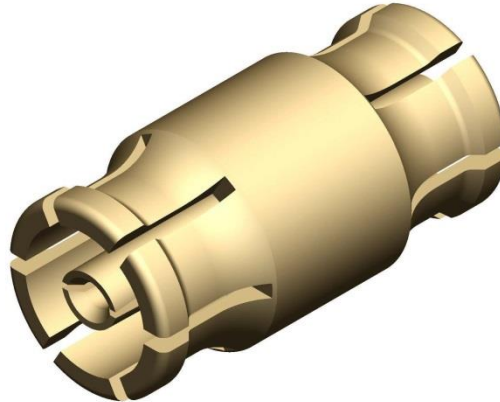


WSMP

Adaptor (Bullet)  
Female to Female

**W1K10E-K00D3**



**Interface**

According to Rosenberger WSMP™ Interface standards

**Material and plating**

**Connector parts**

Body	<b>Material</b> CuBe per ASTM B196
Contact	CuBe per ASTM B196
Dielectric	PTFE

**Plating**

Hard gold 50µIN [1,27µm] min over  
Nickel 50µIN [1,27µm] min  
Hard gold 50µIN [1,27µm] min over  
Nickel 50µIN [1,27µm] min

Dieses Dokument ist urheberrechtlich geschützt • This document is protected by copyright • Rosenberger Hochfrequenztechnik GmbH & Co. KG

WSMP

Adaptor (Bullet)  
Female to Female

**W1K10E-K00D3**

**Electrical data**

Impedance 50 Ω  
 Frequency DC to 100 GHz  
 Return loss (typical) ≥ 26 dB, DC to 26.5 GHz  
 ≥ 19 dB, 26.5 to 65 GHz  
 Insertion loss ≤ 0.12 x √f(GHz) dB  
 Insulation resistance ≥ 3.5 x10<sup>3</sup> MΩ  
 Center contact resistance ≤ 2.0 mΩ  
 Outer contact resistance ≤ 6.0 mΩ  
 Test voltage (at sea level) 250 V rms  
 RF High Potential (at sea level) 150 V rms @ 5 MHz  
 RF-leakage ≥ -80 dB (typical mated pair)

- Limitations are possible due to the used cable type

**Mechanical data**

Mating cycles  
 - Full Detent mating plug ≥ 100  
 - Smooth Bore mating plug ≥ 500  
 Engagement force (typical)  
 - Full Detent 2.5 lb<sub>f</sub> [11 N]  
 - Smooth Bore 1.2 lb<sub>f</sub> [5.3 N]  
 Disengagement force (typical)  
 - Full Detent 4.5 lb<sub>f</sub> [20 N]  
 - Smooth Bore 1.0 lb<sub>f</sub> [4.5 N]

**Environmental data**

Temperature range -55° to +165°C  
 Thermal shock MIL-STD-202, Meth. 107, Condition B  
 Corrosion MIL-STD-202, Method 101  
 Vibration MIL-STD-202, Method 204, Condition D  
 Shock MIL-STD-202, Meth. 213, Condition I  
 Moisture resistance MIL-STD-202, Method 106, except Step 7B  
 2002/95/EC (RoHS) compliant

**Tooling**

Installation/Extraction tool W1W002-000

**Suitable cables**

N/A

**Packing**

Standard 100 pcs in a bag

Dieses Dokument ist urheberrechtlich geschützt • This document is protected by copyright • Rosenberger Hochfrequenztechnik GmbH & Co. KG

Draft	Date	Approved	Date	Rev.	Engineering change number	Name	Date
P. Czikora	12/20/11	Paul Czikora	12/20/11	a00	ECN 14-s000; Released	M. Peeran	8/8/14

Rosenberger of North America, LLC P.O. Box 309 Akron, PA USA 17501 <a href="http://www.rosenbergerna.com">www.rosenbergerna.com</a>				Tel. : +1.717.859.8900 Fax : +1.717.859.7044 Email : <a href="mailto:info@rosenbergerna.com">info@rosenbergerna.com</a>		Page 2 / 2	
---	--	--	--	---	--	---------------	--