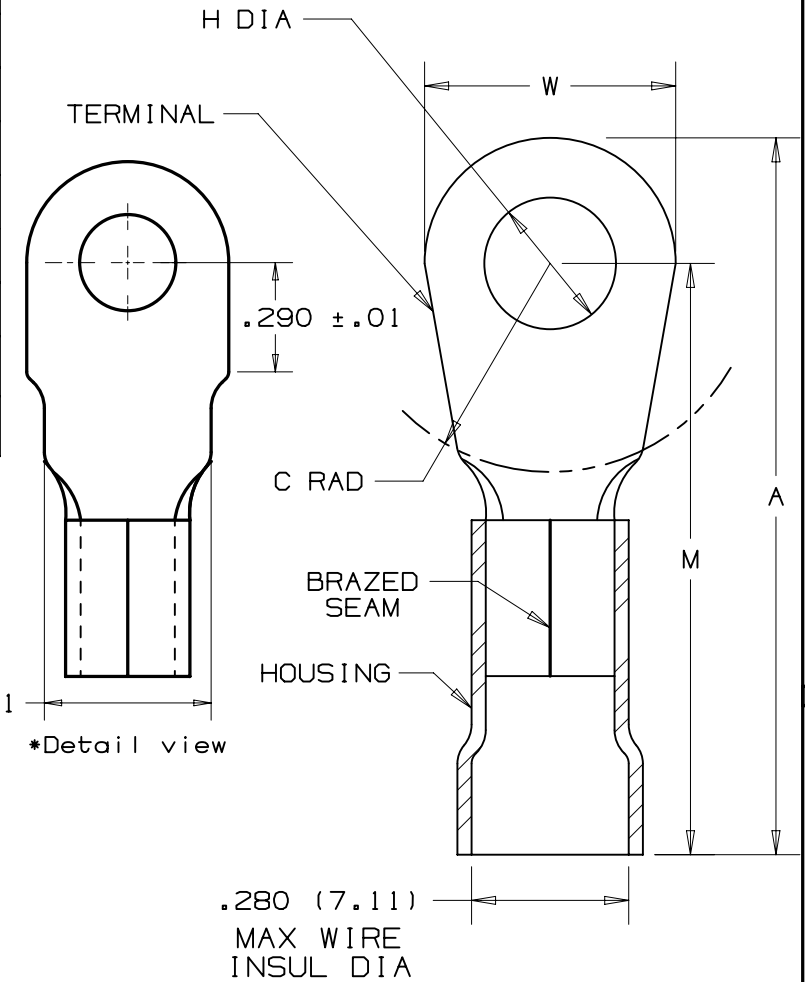


THIS COPY IS PROVIDED ON A RESTRICTED BASIS AND IS NOT TO BE USED IN ANY WAY DETRIMENTAL TO THE INTERESTS OF PANDUIT CORP.

PANDUIT PART NUMBER	STUD SIZE	DIMENSIONS - in.					TOOLS
		A ± .03	W ± .01	C ± .02	M ± .03	H ± .01	
*PV8-8RN	#8	1.48 (37.59)	.36 (9.14)	.43 (10.92)	1.30 (33.02)	.17 (4.32)	CT-720 (CD-720PV8-2) CT-2600 (CD-2600-PV8)
PV8-8R	#8	1.51 (38.86)	.42 (10.67)	.43 (10.92)	1.30 (33.02)	.17 (4.32)	
PV8-10R	#10	1.53 (38.86)	.47 (11.94)	.43 (10.92)	1.30 (33.02)	.20 (5.08)	
PV8-14R	1/4"	1.53 (38.86)	.47 (11.94)	.43 (10.92)	1.30 (33.02)	.27 (6.86)	
PV8-56R	5/16"	1.64 (41.66)	.59 (14.99)	.51 (12.95)	1.35 (34.29)	.33 (8.38)	
PV8-38R	3/8"	1.64 (41.66)	.59 (14.99)	.51 (12.95)	1.35 (34.29)	.39 (9.91)	
PV8-12R	1/2"	1.74 (44.20)	.82 (20.83)	.51 (12.95)	1.35 (34.29)	.52 (13.21)	

NOTES:

- cULus LISTED FOR:
 - A. 600V MAX VOLTAGE RATING
 - B. 221° F (105° C) MAX TEMP RATING
 - C. #8 AWG STRANDED COPPER WIRE
- SEE WWW.PANDUIT.COM FOR PACKAGE QUANTITIES
- MATERIAL:
 - A. STAMPING - .040" (1.02) THK, COPPER TIN PLATED
 - B. HOUSING - VINYL, RED
- DIMENSIONS IN BRACKETS ARE IN MILLIMETERS
- WIRE STRIP LENGTH: $3/8 + 1/32$ (9.5 + .8) - 0



TITLE						#8 BARREL VINYL INSULATED RING TONGUE .280 [7.11] MAX. WIRE INSUL. DIAMETER	
CUSTOMER DRAWING						PANDUIT	
ITEM REVISION NAME							
DATASET FILE NAME						N41219BB/12	
UNLESS OTHERWISE SPECIFIED, DIMENSIONAL TOLERANCES ARE: IN [mm]						MATERIAL: SEE NOTE 3	
.X ± .XX ±						.XXX ± ANGLES ±	
THIRD ANGLE PROJECTION						DRAWING NUMBER: A41219	
REV	DATE	BY	CHK	APR	DESCRIPTION	ECN	DAW
12	9/14	JHNU	JHNU	RGB	ADDED ASTERISK TO PV8-8RN TO REFERENCE DETAIL VIEW	N41219BA-A41219	
11	6/14	MBY	JHNU	RGB	REVISED UL LOGO TO cULus LOGO, REVISED NOTES, MOVED TOOLS TO TABLE, UPDATED BORDER	N41219BB-A41219	
SCALE						NONE	
SHT 1 OF 1						A	

D10100DA/16