

4

3

2

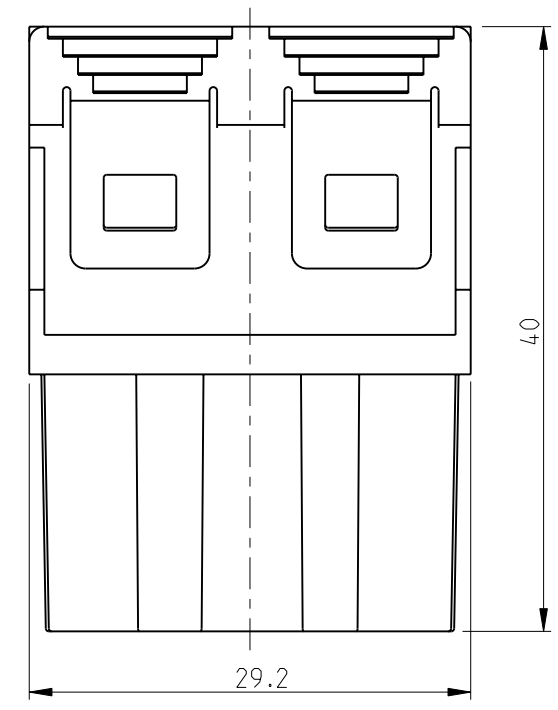
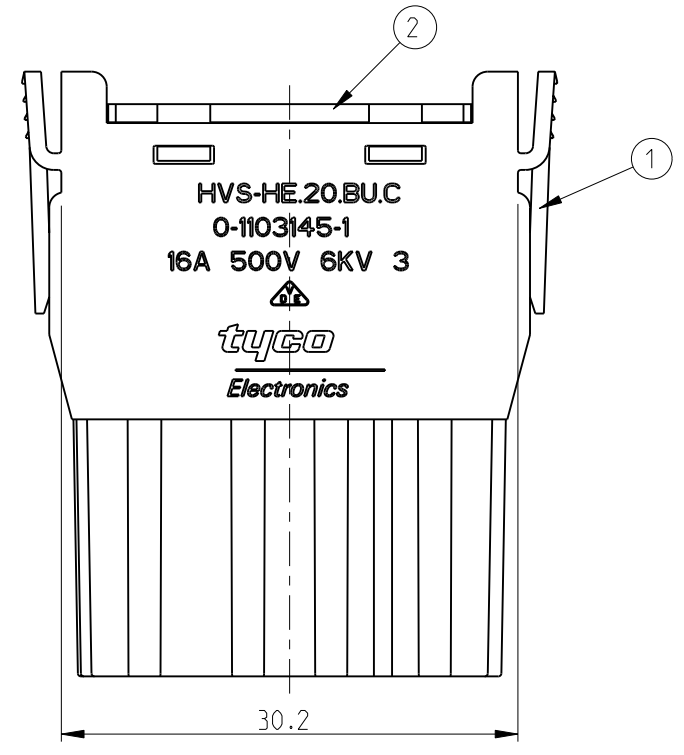
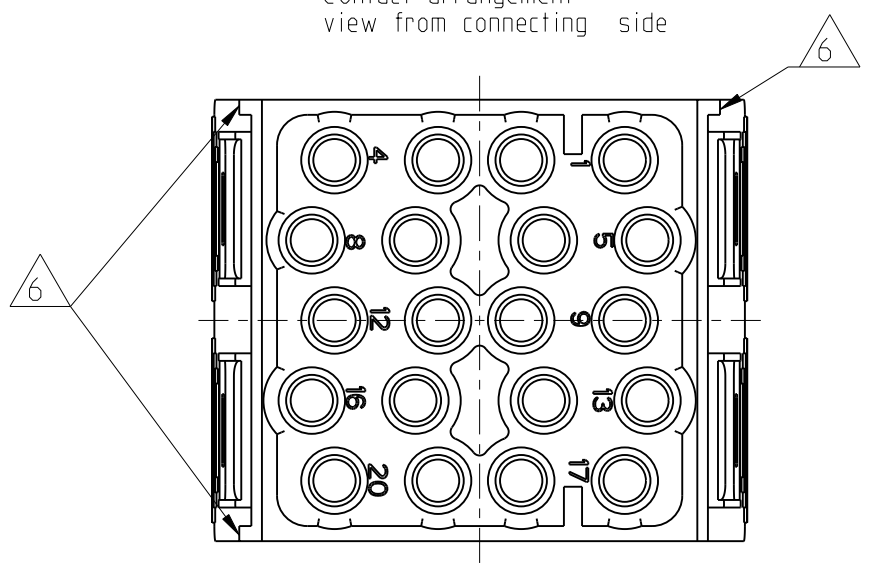
1

THIS DRAWING IS UNPUBLISHED. RELEASED FOR PUBLICATION 2000
 © COPYRIGHT 2000 BY TYCO ELECTRONICS CORPORATION. ALL INTERNATIONAL RIGHTS RESERVED.

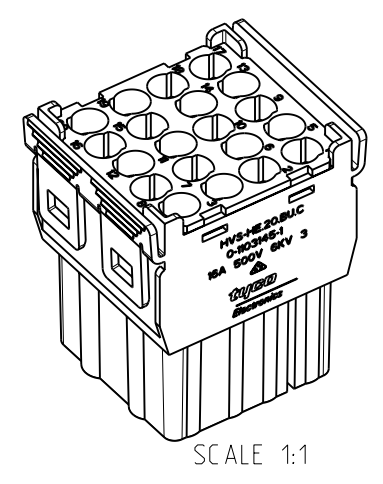
LOC	DIST	REVISIONS					
		P	LTR	DESCRIPTION	DATE	DWN	APVD
A1	-		A5	RELEASED ASPER ECR-09-010234	6-May-09	CJ	TS
			B1	ECR-10-015645	27JUL2010	SR	OH

PN 0-1 As Shown

Contact arrangement view from connecting side

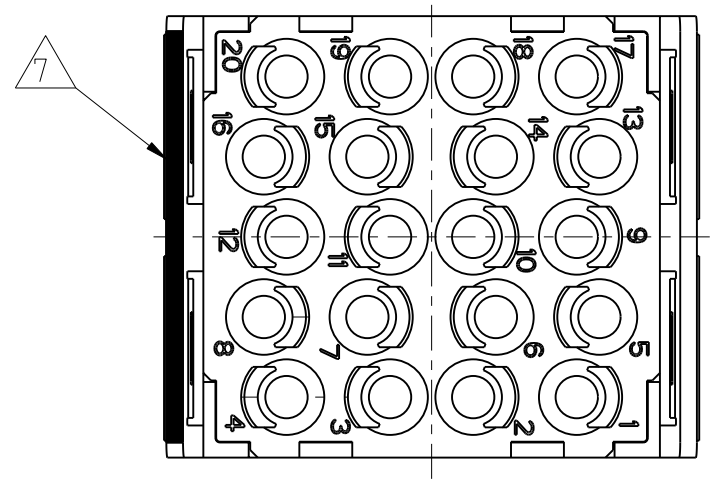


PN 0-1 As Shown



- NOTES
- SUITABLE CRIMP CONTACTS: SERIES HE/HA
CUSTOMER DRAWING: 1105101
OUTER DIMENSIONS OF INSULATION: MAX. Ø4.9mm
 - SUITABLE MODULE FIXING FRAME: SERIES HVS SIZE 3 TO 8
CUSTOMER DRAWING: 1103250
 - SUITABLE INSERTION TOOL:
CUSTOMER DRAWING: 0-1102855-6
 - SUITABLE EXTRACTION TOOL:
CUSTOMER DRAWING: 0-1102855-7
 - STANDARDS:
DIN EN 61984; DIN EN 60664-1
 - POLARIZATION RIPS
 - MARKING OF POLARIZATION ACCORDING TO MARKING OF MODULE FRAME
 - PACKAGING:
10 SETS IN A CARTON, PRE-MOUNTED

Contact arrangement view from termination side



QTY	DESCRIPTION	MATERIAL	COLOR	ITEM
1	FEMALE INSERT	PC-GF20	LIGHT GREY	2
1	COVER	PC-GF20	LIGHT GREY	1
HVS-HE.20.BU.C				

THIS DRAWING IS A CONTROLLED DOCUMENT FOR TYCO ELECTRONICS CORPORATION IT IS SUBJECT TO CHANGE AND THE CONTROLLING ENGINEERING ORGANIZATION SHOULD BE CONTACTED FOR THE LATEST REVISION.		DWN 31.08.2008 M.SCHWEIGER CHK 01.09.2008 T.SCHNURPFIL APVD - PRODUCT SPEC 108-74073 APPLICATION SPEC 114-74073 WEIGHT -		Tyco Electronics AMP GmbH 53757 Sankt Augustin, Germany NAME FEMALE INSERT HVS-HE.20.BU.C	
DIMENSIONS: mm 	TOLERANCES UNLESS OTHERWISE SPECIFIED: ISO 8075 DIN 150.2768 mh-E DIN 15901-120 0 PLC ± 1 PLC ± 2 PLC ± 3 PLC ± 4 PLC ± ANGLES ±1°	MATERIAL 	FINISH 	SIZE A3 CAGE CODE 00779 DRAWING NO ©=1103145	RESTRICTED TO -
CUSTOMER DRAWING				SCALE 2:1	SHEET 1 OF 1 REV B1