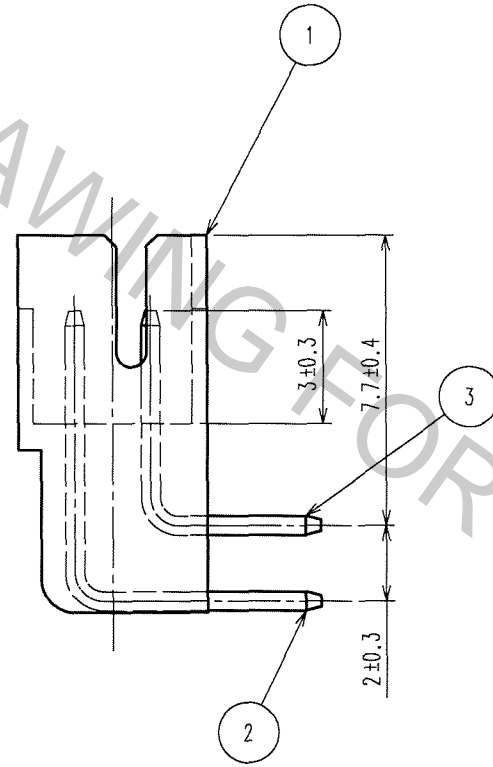
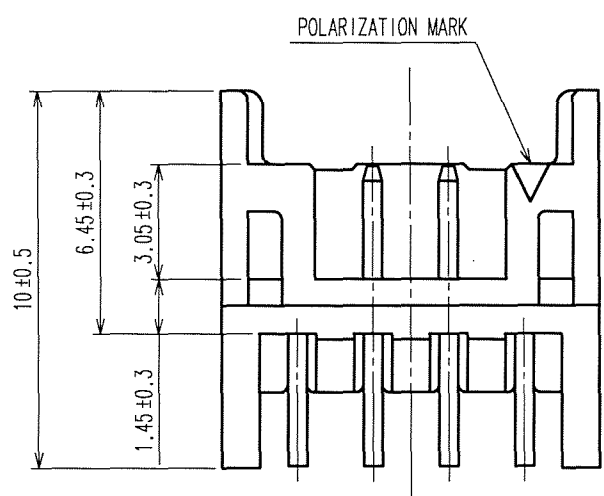
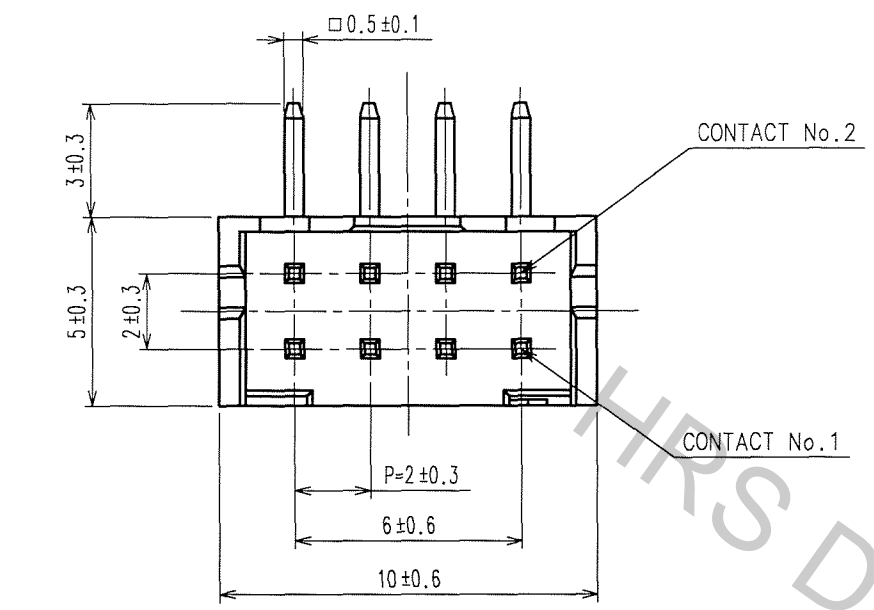
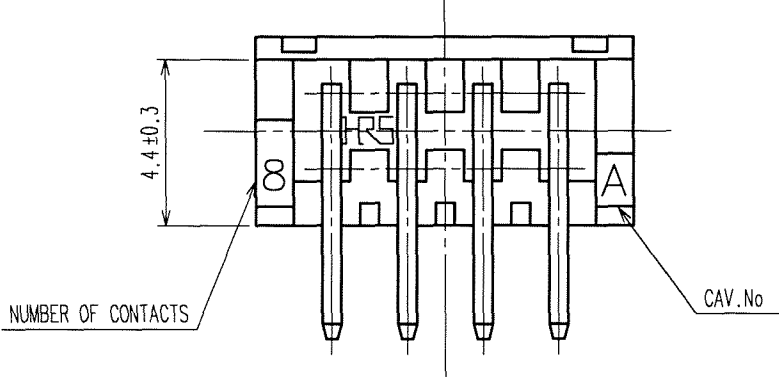
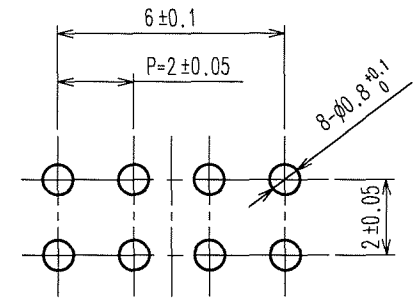


Apr.1.2017 Copyright 2017 HIROSE ELECTRIC CO., LTD. All Rights Reserved.

5					6					7					8				
COUNT	DESCRIPTION OF REVISIONS				BY	CHKD	DATE	COUNT	DESCRIPTION OF REVISIONS				BY	CHKD	DATE				
△							..	△							..				
△							..	△							..				
△							..	△							..				



RECOMMENDED PATTERN



2	BRASS	SURFACE:GOLD PLATED 0.76μm min UNDER PLATING:NICKEL PLATED 1μm min	5	ELASTOMER	STOPPER, GREEN
1	POLYAMIDE	UL94V-0, BLACK	4	PS	ELECTROSTATIC PROTECTION, CLEAR
			3	BRASS	SURFACE:GOLD PLATED 0.76μm min UNDER PLATING:NICKEL PLATED 1μm min
NO.	MATERIAL	FINISH, REMARKS	NO.	MATERIAL	FINISH, REMARKS

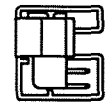
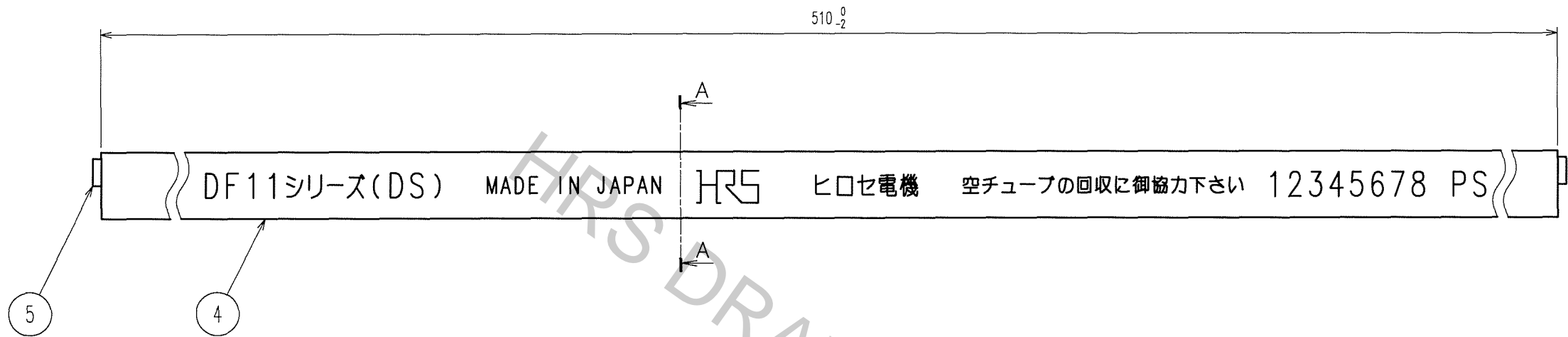
CODE NO. (OLD)	DRAWN	DESIGNED	CHECKED	APPROVED	RELEASED
	A.Miura	T.Kumazawa	H.Umehara	T.Oma	
	'06.03.16	'06.03.22	'06.03.22	'06.03.22	

SCALE 5 : 1	DRAWING NO. EDC3-020835-02	PART NO. DF11-8DP-2DS(56)
UNITS mm	HRS HIROSE ELECTRIC CO., LTD	CODE NO. CL543-0535-7-56

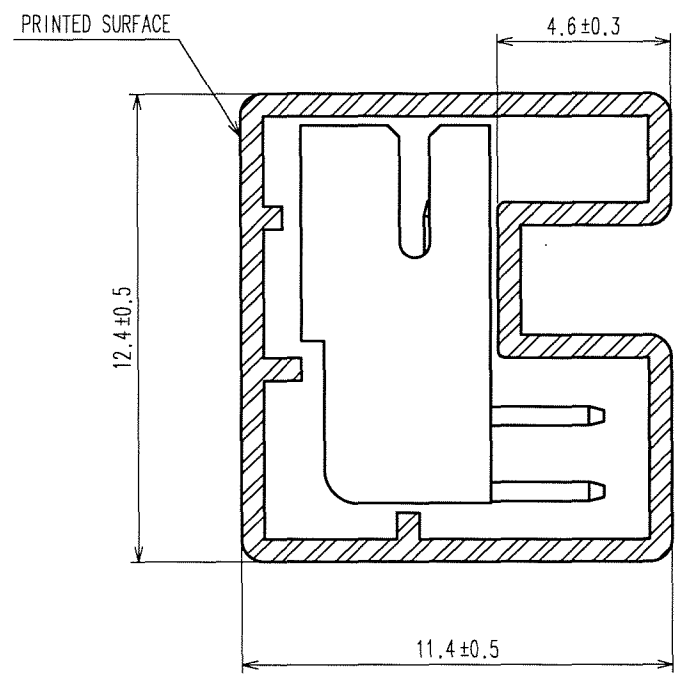
TO

Apr.1.2017 Copyright 2017 HIROSE ELECTRIC CO., LTD. All Rights Reserved.

5				6				7				8			
COUNT	DESCRIPTION OF REVISIONS	BY	CHKD	DATE	COUNT	DESCRIPTION OF REVISIONS	BY	CHKD	DATE	COUNT	DESCRIPTION OF REVISIONS	BY	CHKD	DATE	
△				..	△				..	△				..	
△				..	△				..	△				..	
△				..	△				..	△				..	



A-A (5:1)



NOTE 1. NUMBER OF CONNECTORS PER A MAGAZINE CASE SHALL BE 48.
 2. THESE CONNECTORS SHALL BE SOLED IN ACCORDANCE WITH MULTIPLE QUANTITY OF 48.

TO

CODE NO. (OLD)	DRAWN A.Miura '06.03.16	DESIGNED T.KUMAGAWA '06.03.22	CHECKED H.Umehara '06.03.22	APPROVED T.Ota '06.03.22	RELEASED ..
SCALE FR:EE	DRAWING NO. EDC3-020835-02		PART NO. DF11-8DP-2DS(56)		
UNITS mm	HRS HIROSE ELECTRIC CO., LTD		CODE NO. CL543-0535-7-56		2

