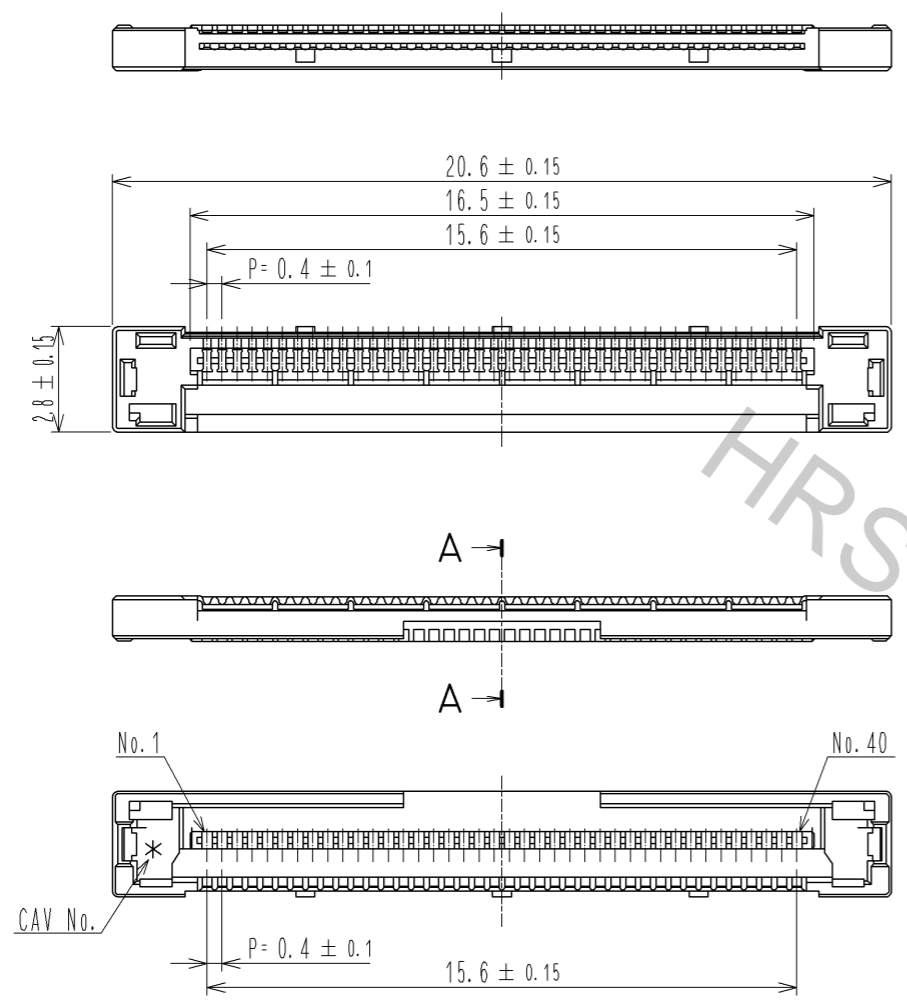
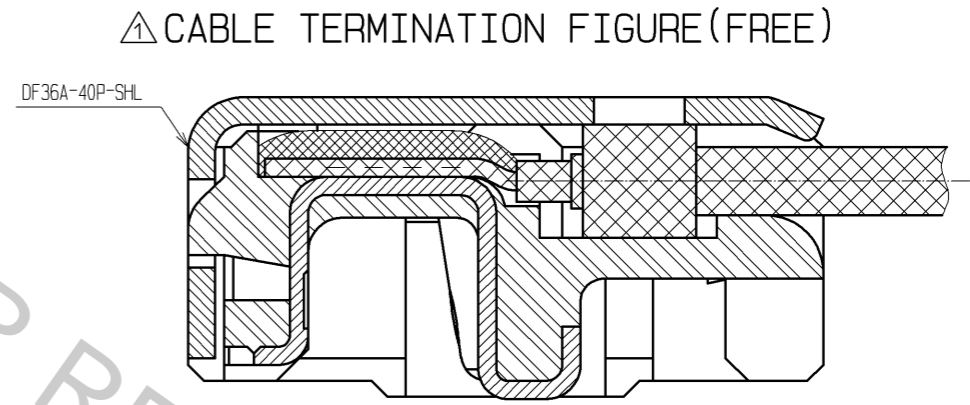
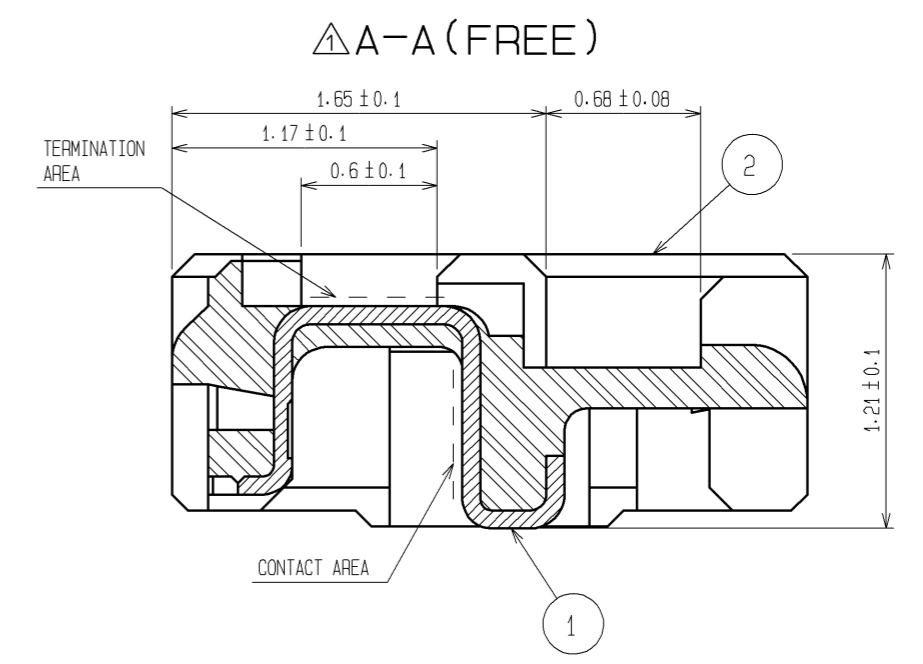
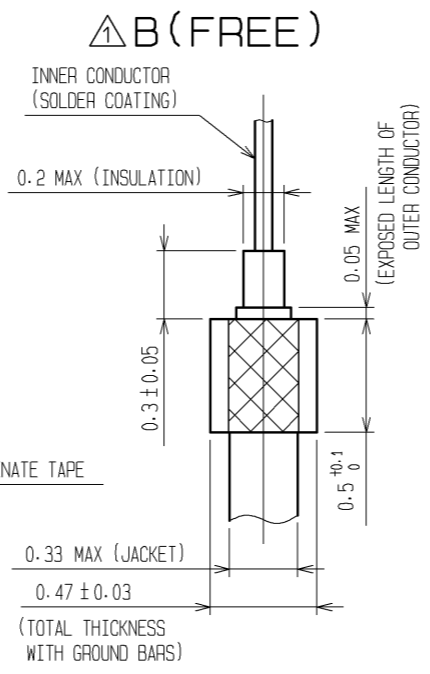
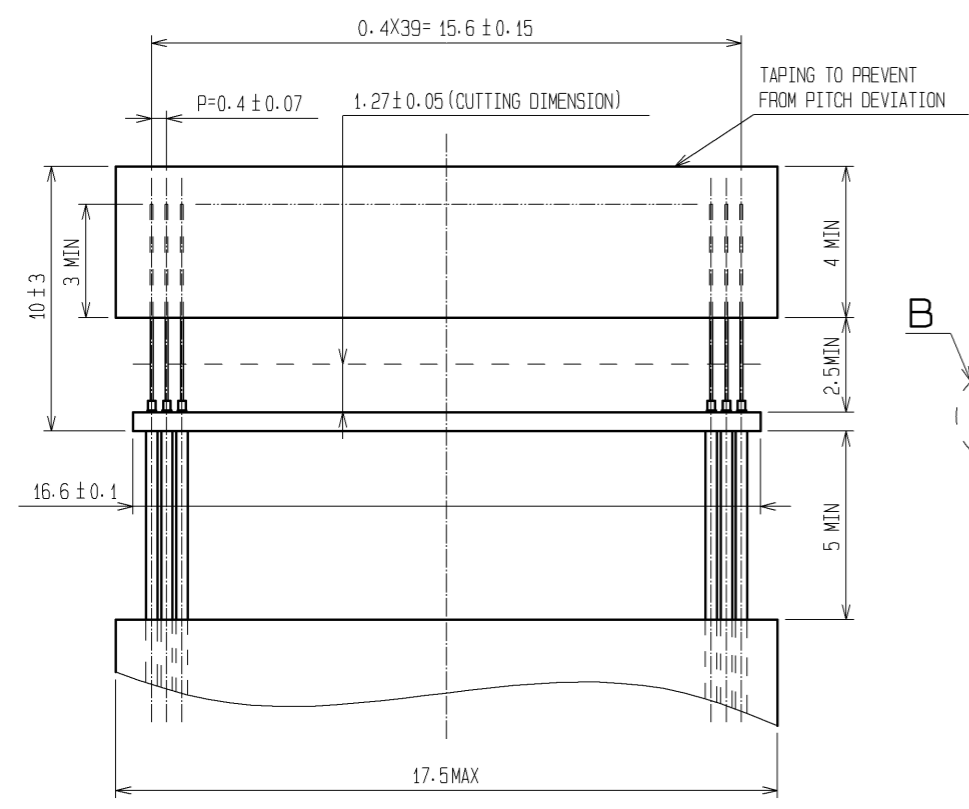


Apr.1.2017 Copyright 2017 HIROSE ELECTRIC CO., LTD. All Rights Reserved.



RECOMMENDED CABLE SUBASSEMBLY



- NOTES 1. APPLICABLE CABLE: THIN COAXIAL CABLE (AWG#42~AWG#46)
 2. THIS CONNECTOR IS NOT HOT PLUGGABLE. MATE AND UNMATE WHILE THE POWER IS OFF.
 3. THE ASSEMBLY IS COMPLETED BY COMBINING TWO PARTS (CONNECTOR UNIT, AND METAL SHIELDING). REFER TO THE TABLE FOR EACH ITEM No., PART NAME, PART No. AND CODE No.

ITEM No.	PART NAME	PART No.	CODE No.
1, 2	CONNECTOR UNIT	DF36-40P-0.4SD(51)	CL662-4002-3-51
-	METAL SHIELDING	DF36A-40P-SHL	CL662-4013-0-00

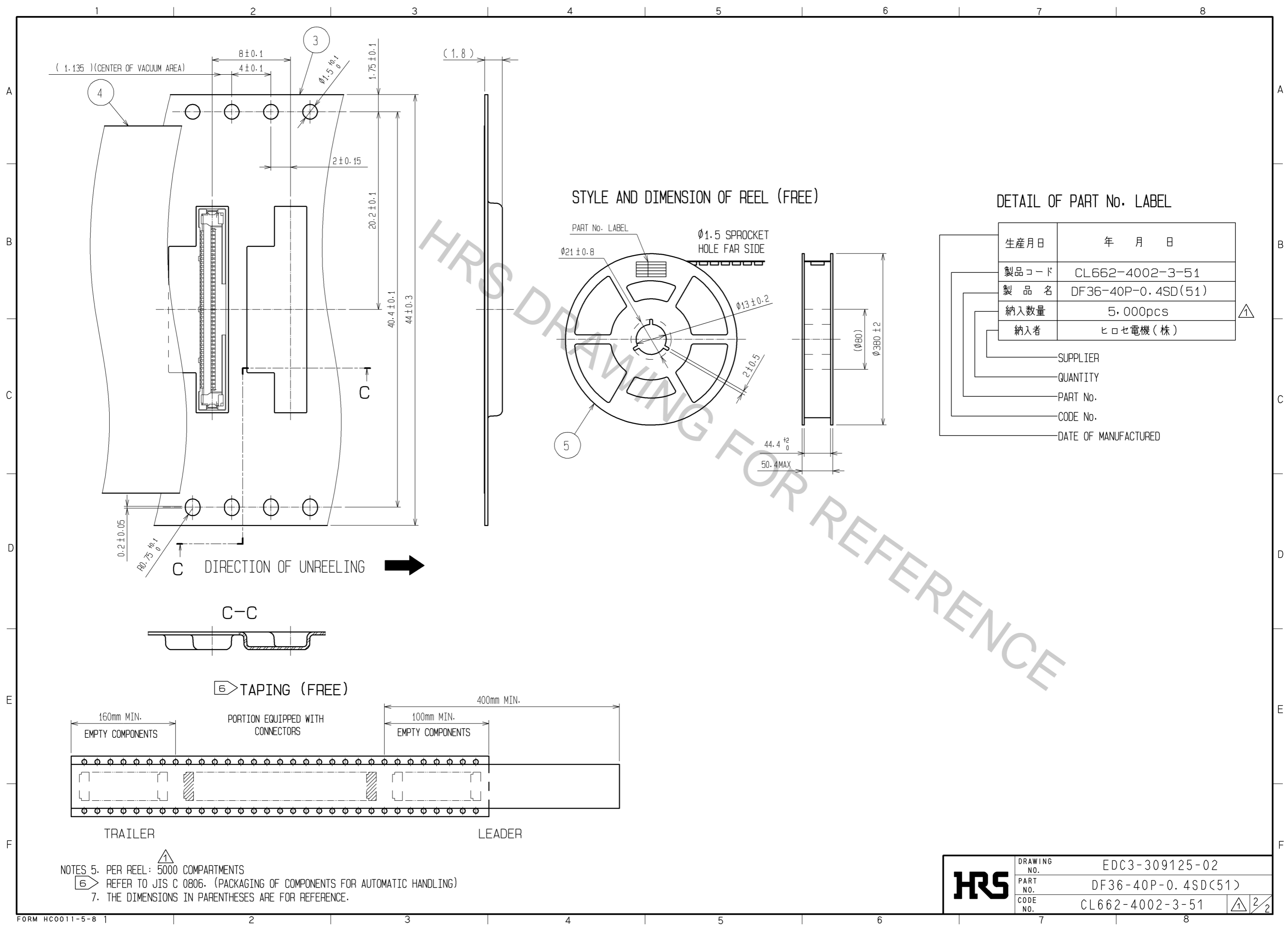
△ (ITEM CHANGE)

4. BLACK MARKS MAY OCCASIONALLY OCCUR IN MOLD RESIN, YET THEY DO NOT AFFECT CONNECTOR QUALITY.

NO.	MATERIAL	FINISH	REMARKS	NO.	MATERIAL	FINISH	REMARKS
1	PHOSPHOR BRONZE	CONTACT AREA : Au PLATING 0.1µm min TERMINATION AREA : Au PLATING 0.1µm min UNDER PLATING : Ni PLATING 1µm min		2	LCP	UL94V-0	
3				4	POLYESTER	CLEAR	
5				5	PS	BLACK	

UNITS	SCALE	COUNT	DESCRIPTION OF REVISIONS	DESIGNED	CHECKED	DATE
mm	5 : 1	7	DIS-H-003440	SI. ISHII	HK. UMEHARA	08.11.06

APPROVED	DESIGNED	DRAWING NO.
TS. SAKATA 08.09.02	SI. ISHII	EDC3-309125-02
CHECKED	DESIGNED	PART NO.
HK. UMEHARA 08.09.02	HY. SHIOZAWA 08.09.02	DF36-40P-0.4SD(51)
DESIGNED	DESIGNED	CODE NO.
HY. SHIOZAWA 08.09.02	SI. ISHII 08.09.01	CL662-4002-3-51
DRAWN	DESIGNED	CODE NO.
SI. ISHII 08.09.01	SI. ISHII 08.09.01	CL662-4002-3-51



NOTES 5. PER REEL: 5000 COMPARTMENTS
 6 REFER TO JIS C 0806. (PACKAGING OF COMPONENTS FOR AUTOMATIC HANDLING)
 7. THE DIMENSIONS IN PARENTHESES ARE FOR REFERENCE.

HRS	DRAWING NO.	EDC3-309125-02
	PART NO.	DF36-40P-0.4SD(51)
	CODE NO.	CL662-4002-3-51
		△ 2/2

HRS DRAWING FOR REFERENCE