

φ172mm

San Ace 172



General Specifications

- Material Frame: Aluminum,
Impeller: Plastics (Flammability: UL94V-1)
- Expected Life Refer to specifications (L10:Survival rate: 90% at 60°C ,
rated voltage, and continuously run in a free air state)
- Dielectric Strength 50/60Hz 1,500VAC 1minute (between input terminal and frame)
- Dielectric Strength (With Sensor) ... Between AC input and DC input(Sensor output)
: 50/60Hz 1,000VAC 1minute
Between AC input and G
: 50/60Hz 1,500VAC 1minute,
Between G and DC input(Sensor output)
: 50/60Hz 1,000VAC 1minute
- Sensor-Purpose Lead Wire ... ⊕ brown ⊖ black (Sensor) yellow
- Storage Temperature -30°C to +70°C (Non-condensing)
- Operating Voltage Range ... Voltage of each model ±10%

φ172mm×51mm (Mass : 1,000g) **Round type**

Specifications Standard

Model No.	Rated Voltage [V]	Frequency [Hz]	Input [W]	Current [A]	Locked Rotor Current [A]	Rated Speed [min ⁻¹]	Max. Airflow [m ³ /min] [CFM]	Max. Static Pressure [Pa] [inchH ₂ O]	SPL [dB(A)]	Operating Temperature [°C]	Expected Life [h]
109-311	100	50/60	27/25	0.33/0.25	0.65/0.64	2,900/3,500	5.3/6.4 187.3/226.1	147/196 0.590/0.787	47/51	-30 to +60	25,000/60°C
109-314	115			0.29/0.22	0.55/0.54						
109-312	200			0.16/0.13	0.33/0.32						
109-313	230			0.14/0.11	0.28/0.27						

with Sensor

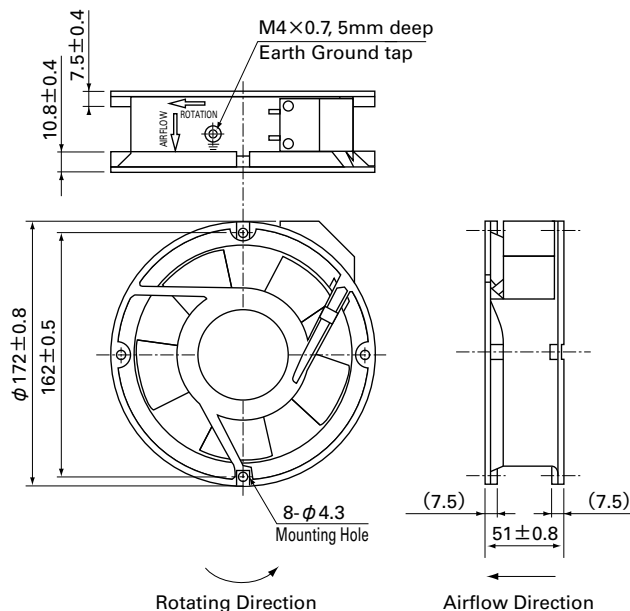
Model No.	Rated Voltage [V]	Frequency [Hz]	Input [W]	Current [A]	Locked Rotor Current [A]	Rated Speed [min ⁻¹]	Max. Airflow [m ³ /min] [CFM]	Max. Static Pressure [Pa] [inchH ₂ O]	SPL [dB(A)]	Operating Temperature [°C]	Expected Life [h]
109-371	100	50/60	27/25	0.33/0.25	0.65/0.64	2,900/3,500	5.3/6.4 187.3/226.1	147/196 0.590/0.787	47/51	-10 to +60	25,000/60°C
109-374	115			0.29/0.22	0.55/0.54						
109-372	200			0.16/0.13	0.33/0.32						
109-373	230			0.14/0.11	0.28/0.27						

Two types of power supplies, 5V (ITEM-20) and 12V (ITEM-30), are available in fans with sensor attached.

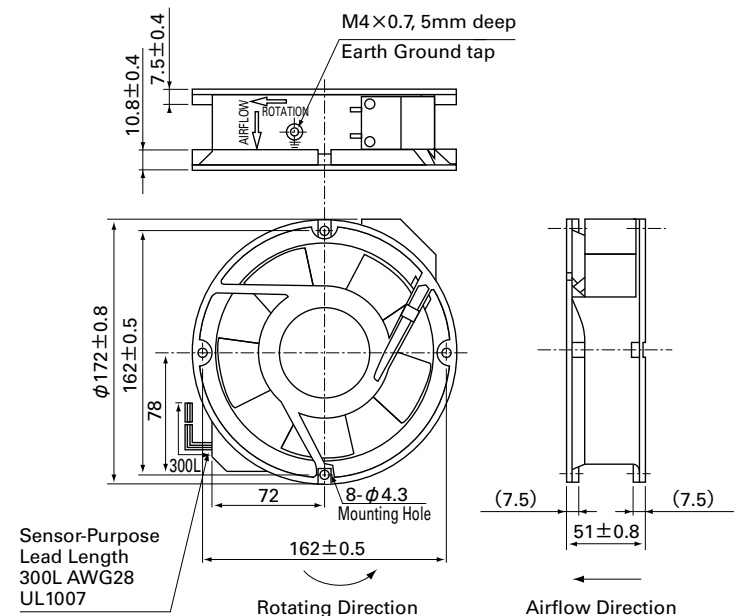
Set Models Fan, finger guard, plug cord, screws, etc. can be purchased in one package.
For details, please refer to pp. 453 to 456.

Dimensions (unit: mm)

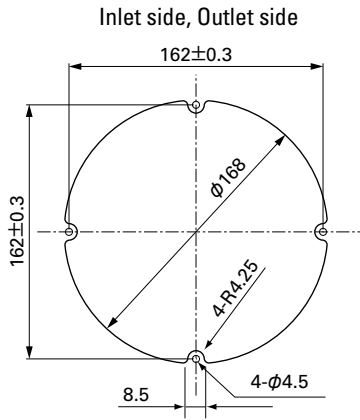
Standard



with Sensor

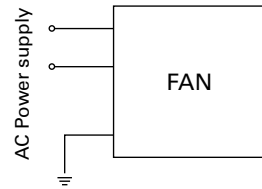


Reference Dimensions of Mounting Holes and Vent Opening (unit: mm)



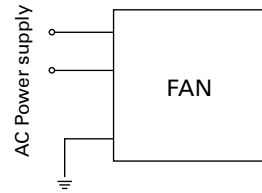
Wiring Diagram

Standard

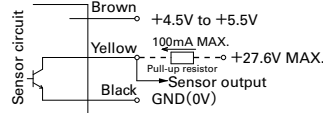


with Sensor

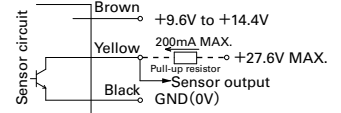
(For fan power supply)



5V (ITEM-20)



12V (ITEM-30)



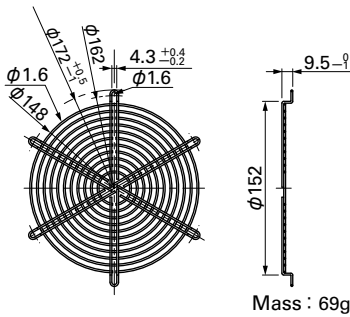
GND (Black) should be shared in case that power supply for sensor circuit (Brown) and that for sensor pull-up (Yellow) are separated.

Options (unit: mm)

Finger Guards

Model : 109-319E Surface treatment : Nickel-chrome plating (silver) Color : Nickel-chrome plating (silver)
 : 109-319H : Cation electropainting (black)

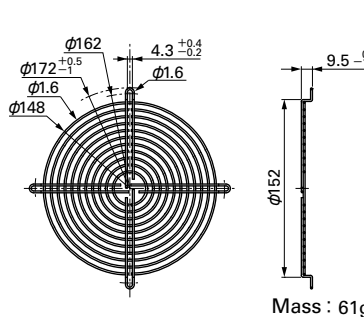
Inlet side, Outlet side



Mass : 69g

Model : 109-1066 Surface treatment : Nickel-chrome plating (silver) Color : Nickel-chrome plating (silver)

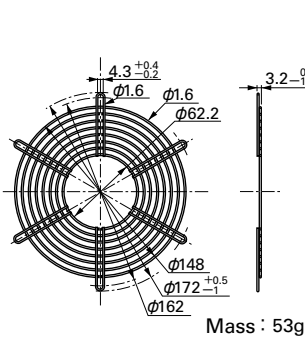
Inlet side, Outlet side



Mass : 61g

Model : 109-320 Surface treatment : Nickel-chrome plating (silver) Color : Nickel-chrome plating (silver)

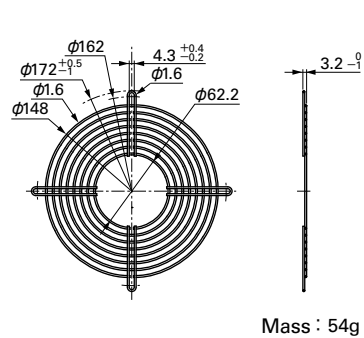
Outlet side



Mass : 53g

Model : 109-1068 Surface treatment : Nickel-chrome plating (silver) Color : Nickel-chrome plating (silver)

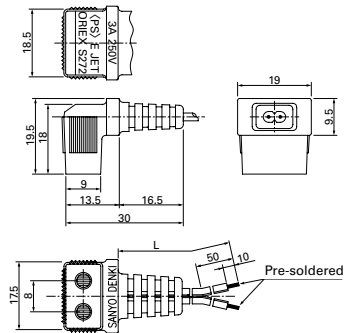
Outlet side



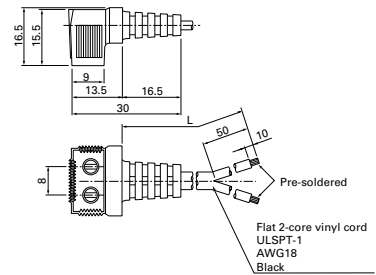
Mass : 54g

Plug Cord

(Products compliant with Electrical Appliance and Material Safety Law)
 Model : 489-1619-L10/489-1619-L21



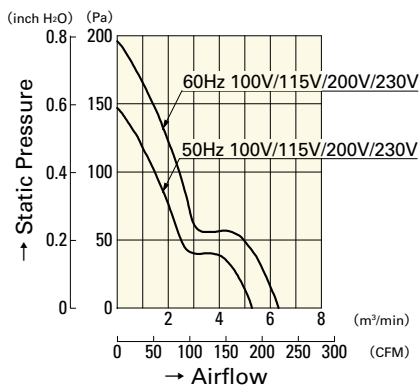
(UL/CSA CERTIFIED)
 UL FILE No. E50197 CSA FILE No. LR67048
 Model : 489-084-L10/489-084-L21



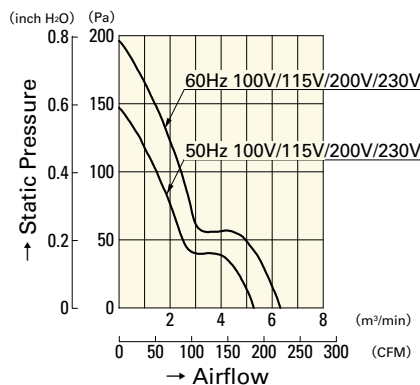
Model	Power cord length (L) [mm]	Mass [g]
489-1619-L10	1,000	34
489-1619-L21	2,100	64
489-084-L10	1,000	37
489-084-L21	2,100	70

Airflow - Static Pressure Characteristics

Standard



with Sensor



109-311 109-314
 109-312 109-313

109-371 109-374
 109-372 109-373