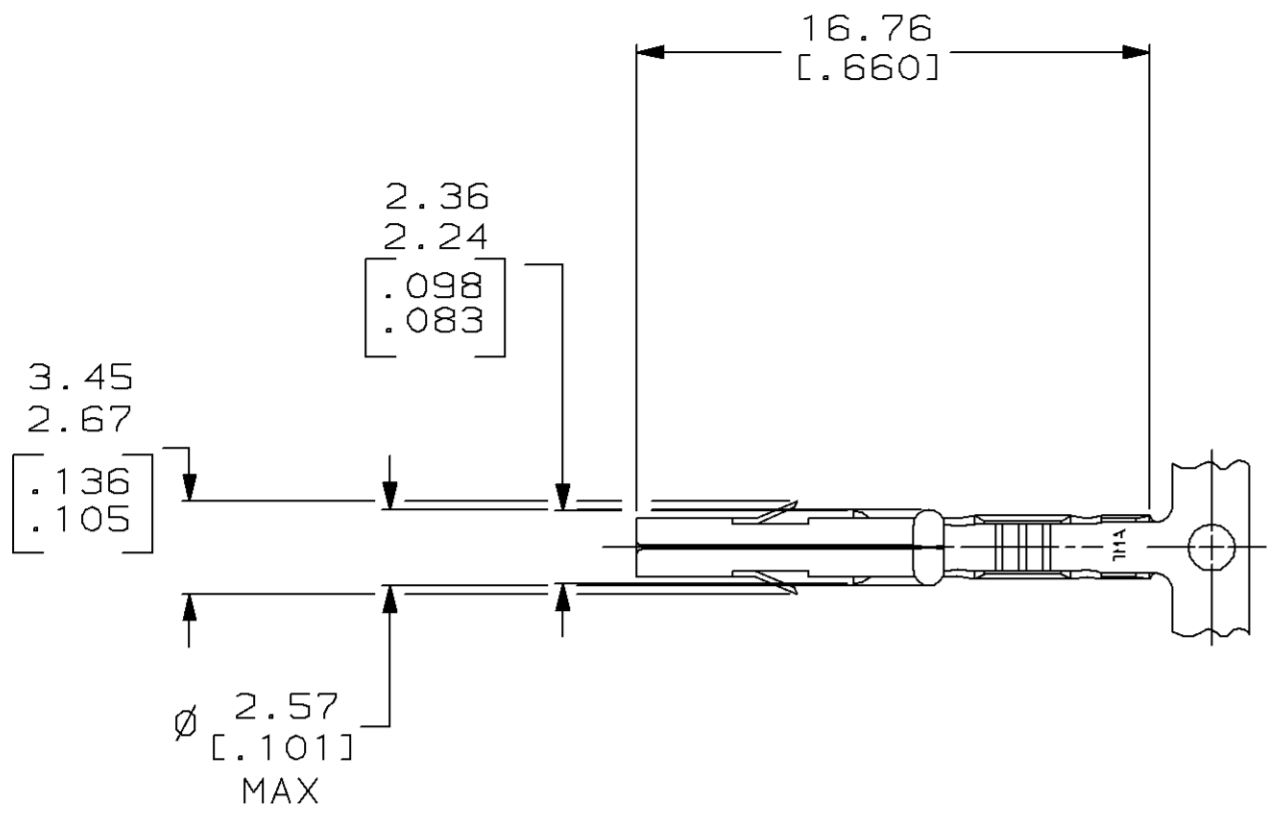
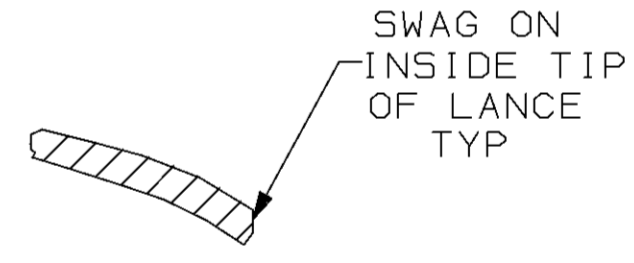
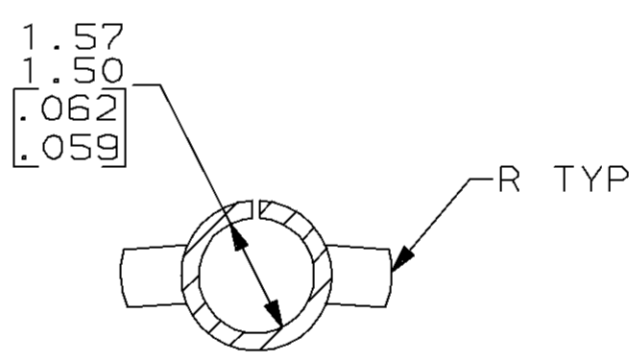
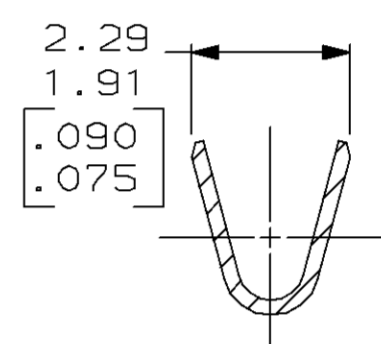
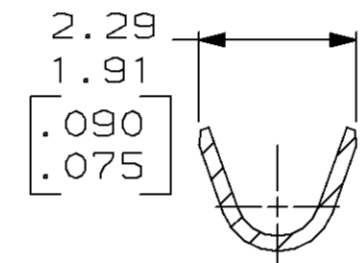
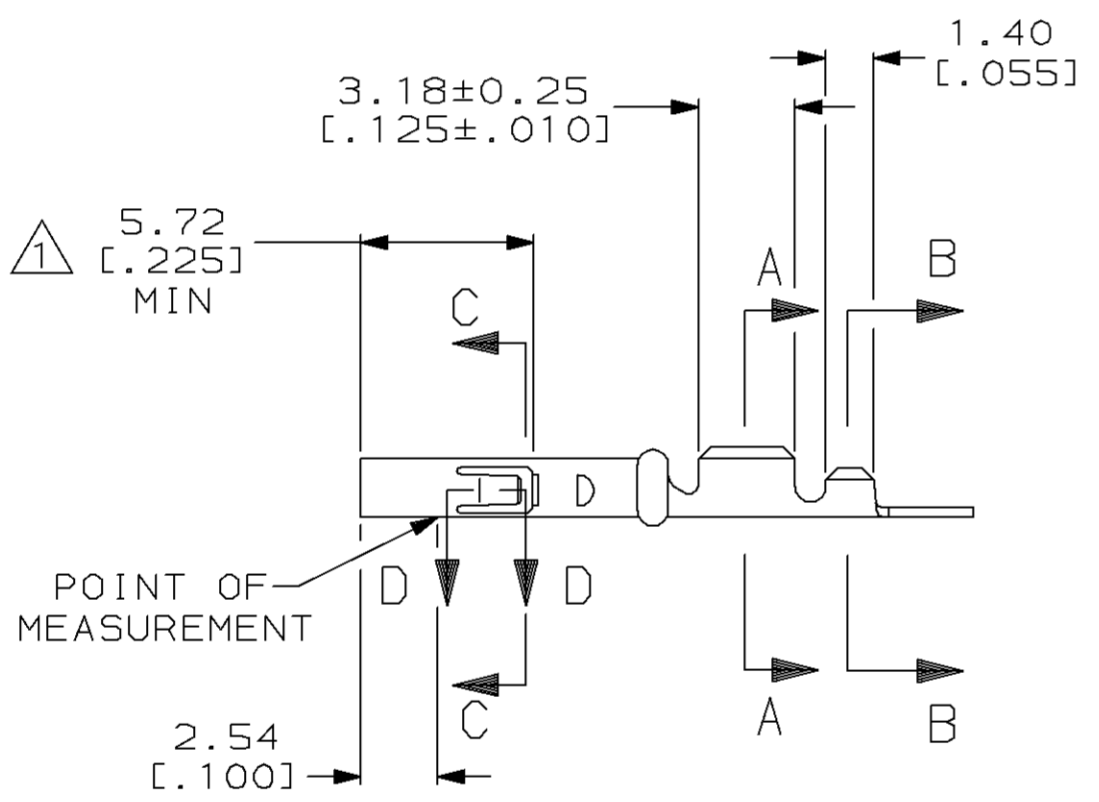


LOC		DIST		ZONE		LTR		REVISIONS		DATE	APPD
CM	53	P	F					0	RLSD PER PR CM 93-25	3-4-93	KS



- 1. PLATED INTERNALLY WITH 0.00076 [.000030] GOLD, GOLD FLASH ON THE REMAINDER, OVER 0.00127 [.000050] NICKEL.
- 2. THIS CONTACT MATES WITH MR LIVE SPLIT PIN ONLY.
- 3. DIMENSIONS IN BRACKETS ARE IN INCHES.



POINT OF MEASUREMENT

METRIC

THIS DRAWING IS A CONTROLLED DOCUMENT FOR AMP INCORPORATED. IT IS SUBJECT TO CHANGE AND THE CONTROLLING ENGINEERING ORGANIZATION SHOULD BE CONTACTED FOR THE LATEST REVISION.

		FINISH	MATERIAL	PART NO	
		GOLD Δ	0.20 [.008] PH BRZ	794000-2	
		PRE-TIN	0.20 [.008] PH BRZ	794000-1	
DO NOT SCALE PRINT. UNLESS SPECIFIED DIMENSIONS IN mm [INCHES] TOLERANCES ON: 2 PLC DEC ± 0.13 [.005] 3 PLC DEC ± - ANGLES ± -		DR 3-4-93 K. SALMON	AMP AMP Incorporated Harrisburg, PA 17105-3608 NAME RECEPTACLE, MR		
MATERIAL		CHK 3-4-93 R. SWING			
SEE TABLE		APPD 3-4-93 J. ANDREW			
FINISH		APPD 3-4-93 J. ANDREW	SIZE	CAGE CODE	DRAWING NO
SEE TABLE		PRODUCT SPEC	③	00779	③=794000
		APPLICATION SPEC	SCALE	4:1	SHEET
		WEIGHT	-	-	1 OF 1

CUSTOMER DRAWING