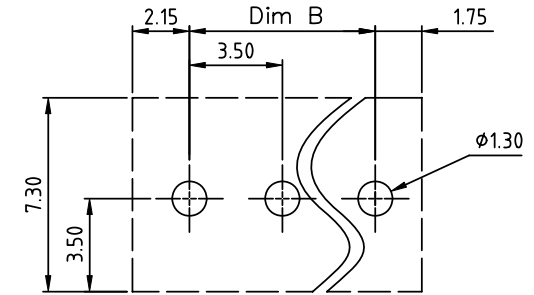
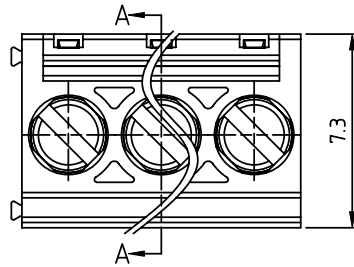
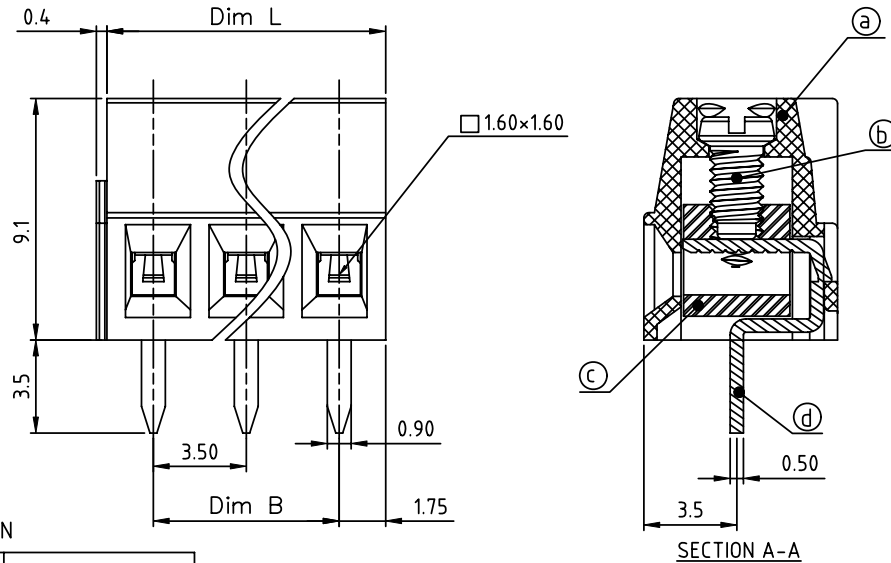


PRODUCT NUMBER	PITCH
ERxx01x000J0G	3.50 mm



RECOMMENDED P.C.B LAYOUT  
TOP VIEW



SECTION A-A

DIMENSION

Dim L	N×3.50
Dim B	(N-1)×3.50

N=Number of poles

Poles	Tolerance
2p-6p	±0.15
7p-11p	±0.20
12p-16p	±0.25
17p-20p	±0.30
21p-24p	±0.40

PART NO.: ER xx 01 x 0 00J0 G

	Color	RoHS compliant
End stackable 0	Black (RAL9005)	(lead<4%)
No. of poles 2	Red (RAL3001/D)	In copper Alloy
02 2 poles 3	Orange(RAL2011/P)	
03 3 poles 4	Yellow(RAL1018/A)	
... .. 5	Green(RAL6018/T)	
24 24 poles 6	Blue (RAL5015/A)	
	8 Grey(RAL7035/D)	
	9 White(RAL1102)	
	C Green(RAL6018/U)	

Material

- Item① Terminal housing : Thermoplastic ( UL94V-0 )
- Item② Terminal screw : Steel Zinc plating "-" slot type
- Item③ Clamp : Brass, Ni plated
- Item④ solder pin : Brass, Tin plated

Electrical cULus

- Voltage rating: 300VAC
- Current rating: 10A
- Wire range:
- Solid wire(AWG): 16-24
- Stranded wire(AWG): 16-24
- Torque(Lb-In): 1.7
- Screw: M2
- Wire strip length: 5-6mm
- Withstanding Voltage: 1.6KV
- Operating temperature: -40°C to +115°C
- Soldering temperature: 260°C±5°C/5 Sec
- Safety Approval: cULus

mat'l. code		surface ASME Y14.5	tolerance ASME Y14.5	projection	product family
ltr	ecn no	dr	date	tolerances unless otherwise specified	TERMINAL BLOCK
				angles	title
				X±0.5	TERMINAL BLOCK
				X.X±0.3	RISING CLAMP,180D WIRE INLET,END STACKABLE
				X*±1*	scale
				dr EVIN ZHONG 041514	FCI
				enrg EVIN ZHONG 041514	dwg no
				chr HANKE FENG 041514	ERxx01x000J0G
				appd SHI JUN 041514	sheet 1 of 1
					size
					A4
					type
					CUSTOMER Drawing
sheet index	revision	A			
	sheet	1			