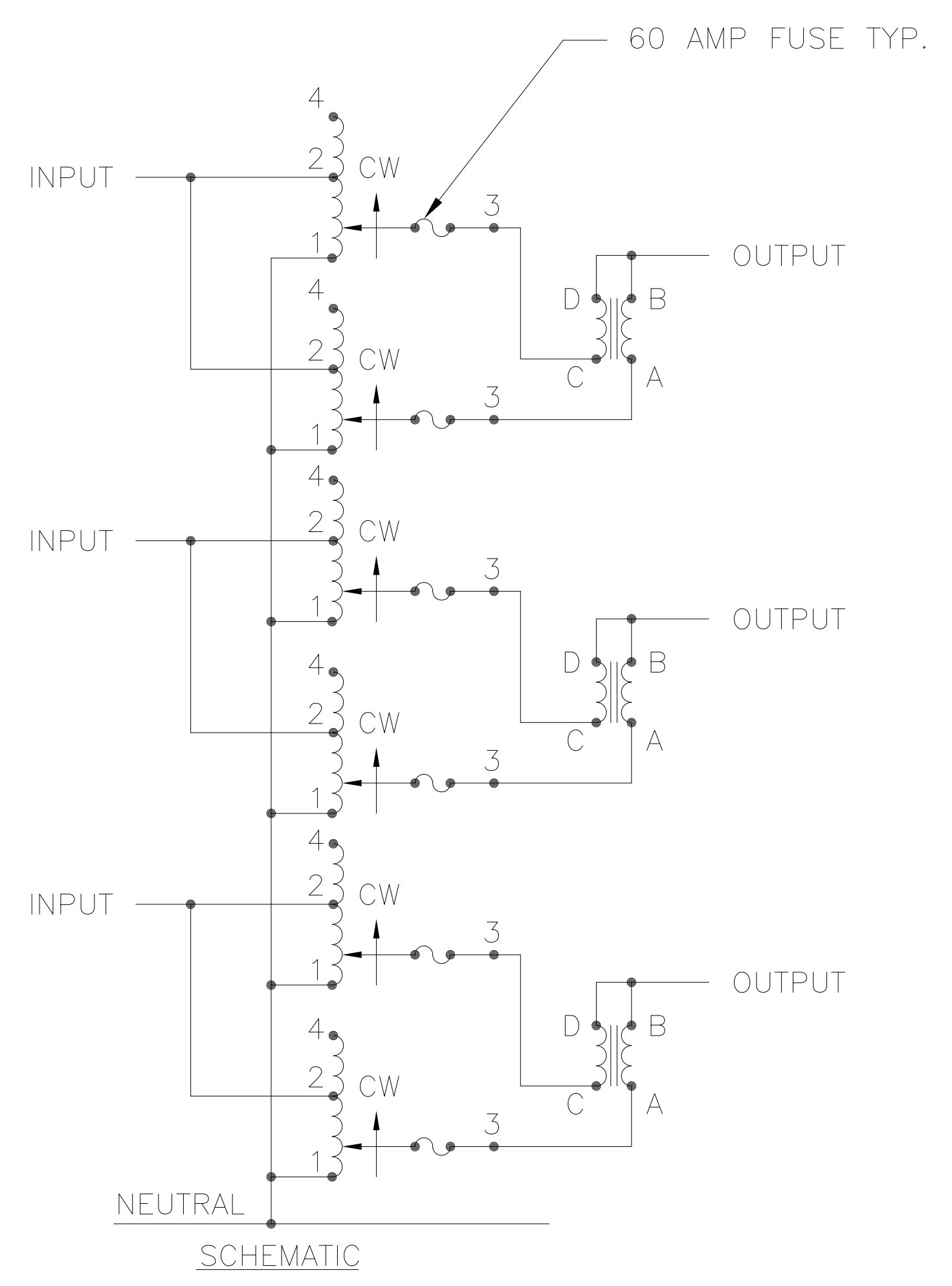
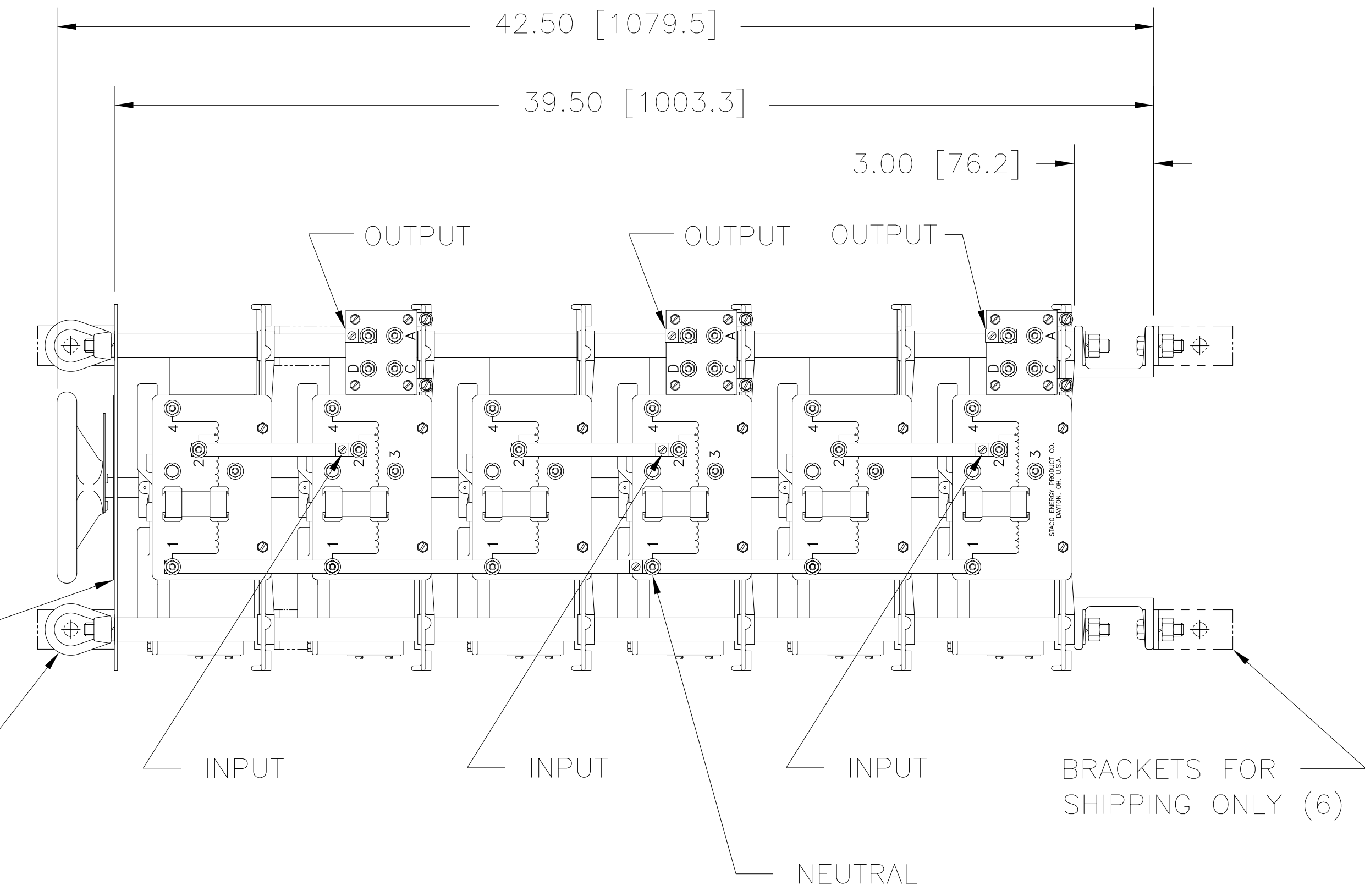
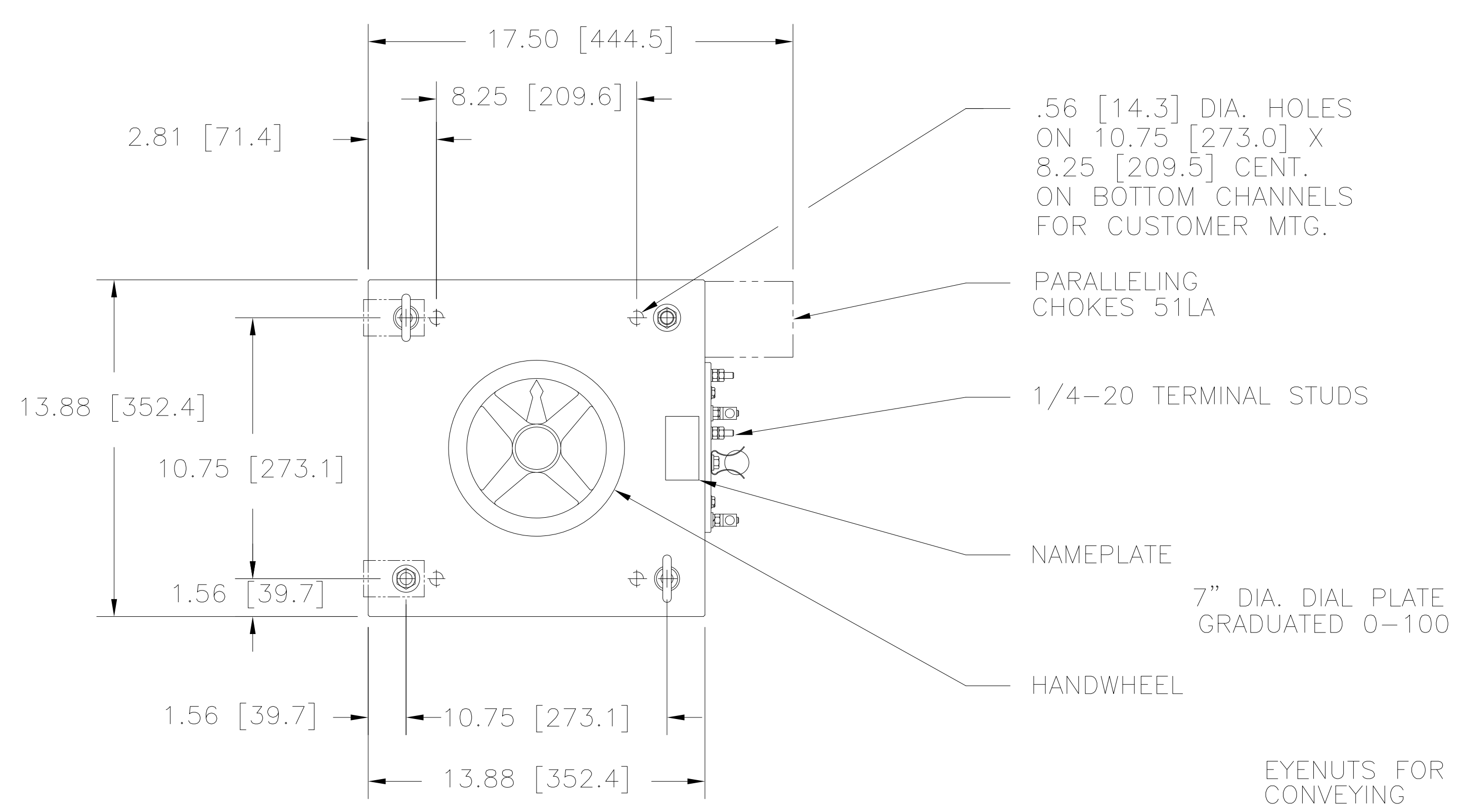


DWG. NO.	032-6774		
REVISIONS			
SYM.	E.C.O.	DATE	APVD.
A	24309	8/24/00	REVISED & UPDATED
B	27979	9/5/14	REMOVED WEIGHT



SPECIFICATIONS								
WIRING	INPUT		OUTPUT			SHAFT ROTATION FOR VOLTAGE INCREASE	TERMINAL CONNECTIONS FOR INCREASING VOLTAGE AS VIEWED FROM TOP	
	VOLTS	HERTZ	VOLTS	CONSTANT CURRENT LOAD			INPUT	OUTPUT
THREE PHASE WYE	240	60	0-240	120	49.8	CW	4-4-4	B-B-B
			0-280	120	58.1	CW	2-2-2	B-B-B

UNLESS OTHERWISE SPECIFIED, TOLERANCE IS ±		UNITS		TITLE:	
DECIMALS	HOLES	ANGLES	DRAFT	SPEC. CONTROL DRAWING	
.XX	.010	.12	.005	1°	1-1/2°
.XXX	.005				
MATERIAL:		ALL DIMENSIONS APPLY AFTER PLATING		DATE: 9/22/98	
DRAWN BY: TIM RAU		DATE: 9/22/98		FIRST USED ON:	
CHECKER:		DATE:		DO NOT SCALE DWG.	
ENGINEER:		DATE:		WEIGHT APPROX.:	
				CASE CODE: 83008	
				SCALE: .25=1	
				SHEET 1 OF 1	

<small>A Components Corporation of America Company 301 Gadsden Boulevard Dayton, Ohio 45403 USA</small>	
DWG. NO.	032-6774