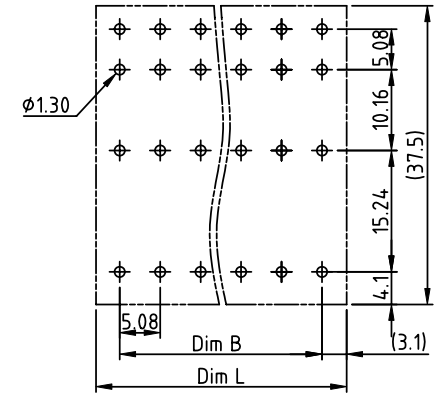
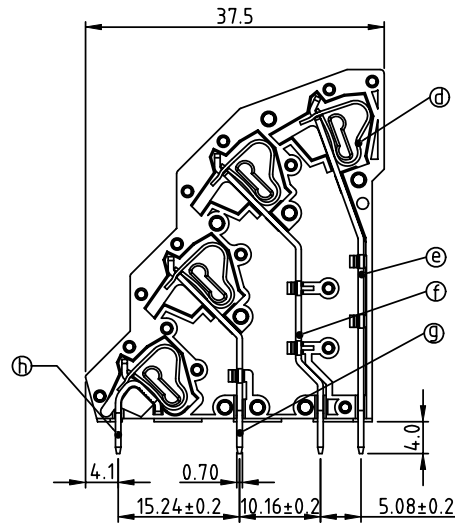
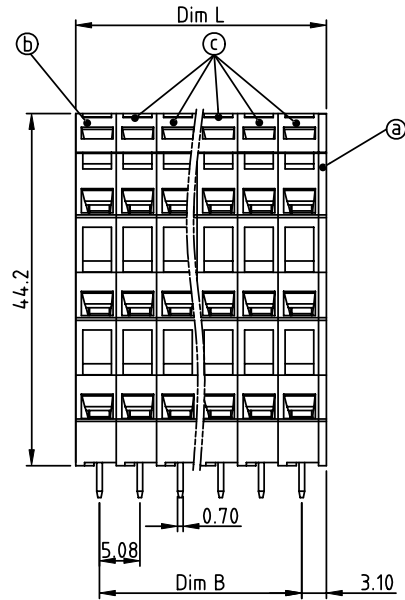


PRODUCT NUMBER	PITCH
HSxx30x000J0G	5.08mm



RECOMMENDED P.C.B LAYOUT
TOP VIEW

Material:

- Item a Insulator(Cover): Thermoplastic (UL94V-0)
- Item b Insulator(Side housing): Thermoplastic (UL94V-0)
- Item c Insulator(Middle housing): Thermoplastic (UL94V-0)
- Item d Spring clamp: Stainless steel
- Item e Solder Pin (The fourth level) : Brass, Tin plated
- Item f Solder Pin (The third level) : Brass, Tin plated
- Item g Solder Pin (The second level) : Brass, Tin plated
- Item h Solder Pin (The first level) : Brass, Tin plated

Electrical:

- Voltage rating: 300V
- Current rating: 10A
- Wire range:
- Solid wire(AWG): 12-28
- Stranded wire(AWG): 12-28
- Wire strip length: 6-7mm
- Withstanding Voltage: 1.6KV
- Operating temperature: -40°C to +115°C
- Soldering temperature: 260°C±5°C/5 Sec
- Safety Approval:

N=Number of poles
Dim L=N/4×5.08+1.0
Dim B=(N/4-1)×5.08

Poles	Dim L	Dim B
4×1p	±0.10	
4×2p-4×6p	±0.15	±0.15
4×7p-4×12p	±0.25	±0.25
4×13p-4×18p	±0.35	±0.30
4×19p-4×24p	±0.45	±0.40

PART NO.: HS xx 30 x 000J0 G

No. of poles	Color	RoHS compliant
0	Black (RAL9005)	(lead<4%)
2	Red (RAL3001/D)	In copper Alloy
04 4x1 poles	3 Orange(RAL2011/P)	
08 4x2 poles	4 Yellow(RAL1018/A)	
...	5 Green(RAL6018/T)	
96 4x24 poles	6 Blue (RAL5015/A)	
	8 Grey(RAL7004/P)	
	9 White(RAL1102)	
	C Multiple colors	

mat'l. code		surface ASME Y14.5	tolerance ASME Y14.5	projection	product family TERMINAL BLOCK
ltr	ecn no	dr	date		title TERMINAL BLOCK SPRING CLAMP,45D WIRE INLET,4-LEVEL, PARALLEL TYPE
tolerances unless otherwise specified				MM	scale
angles		X.±0.5			dwg no HSxx30x000J0G
X*±1°		X.XX±0.3			sheet 1 of 1
		X.XX±0.1			size A4
dr	ENGR	EVIN ZHONG	053014		type CUSTOMER Drawing
enr		EVIN ZHONG	053014		
chr		HANKE FENG	053014		
appd		SHI JUN	053014		
sheet index	revision	A			
	sheet	1			