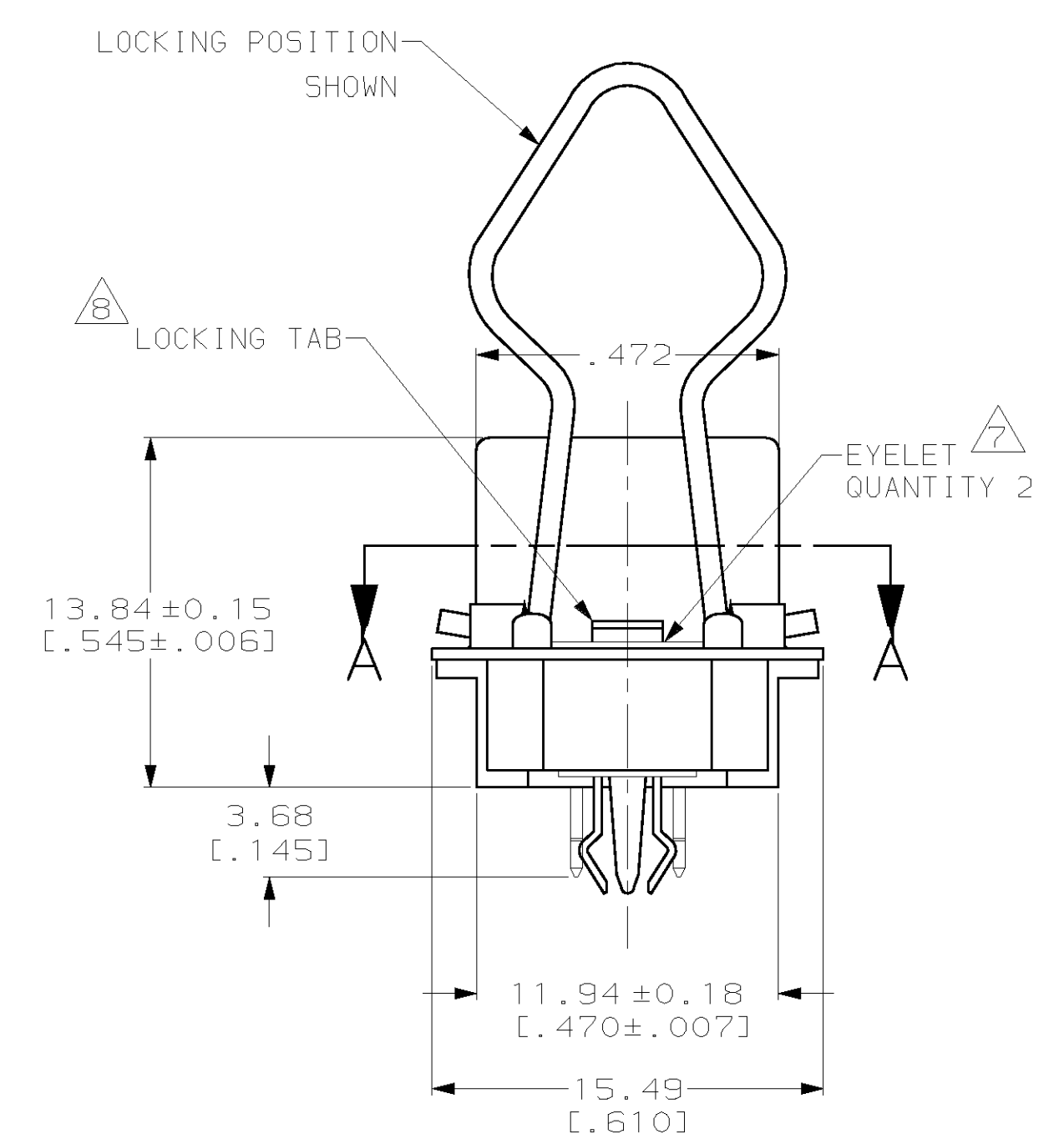
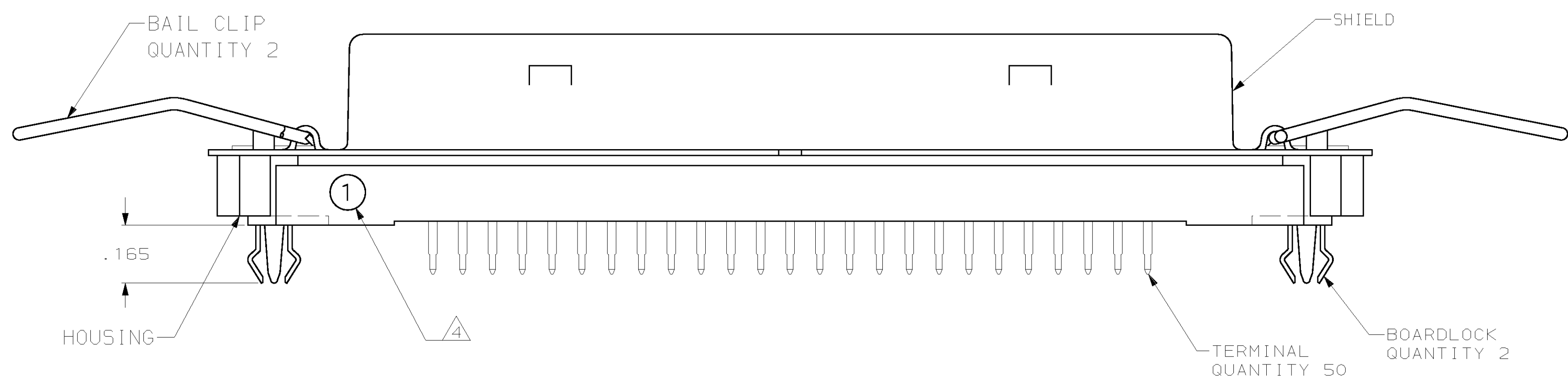
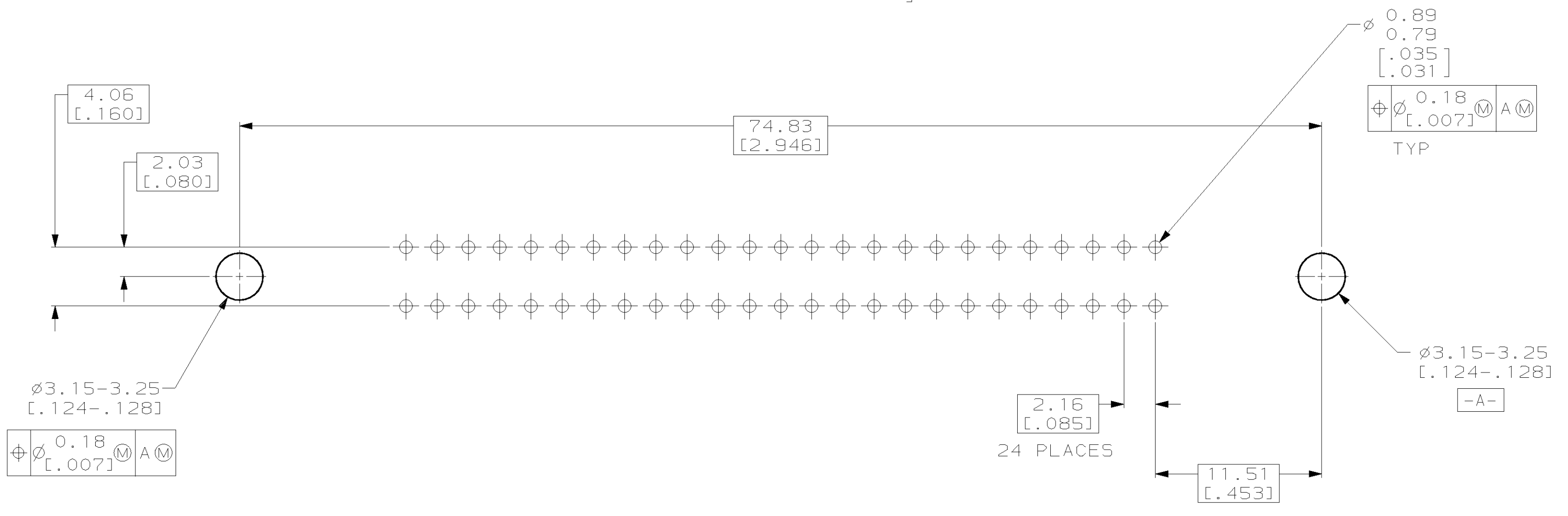
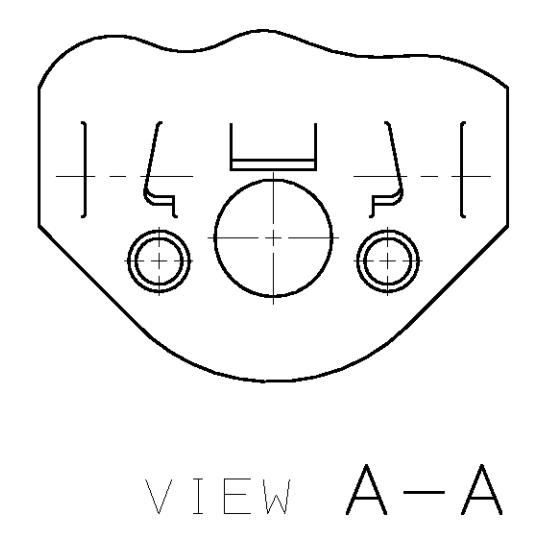
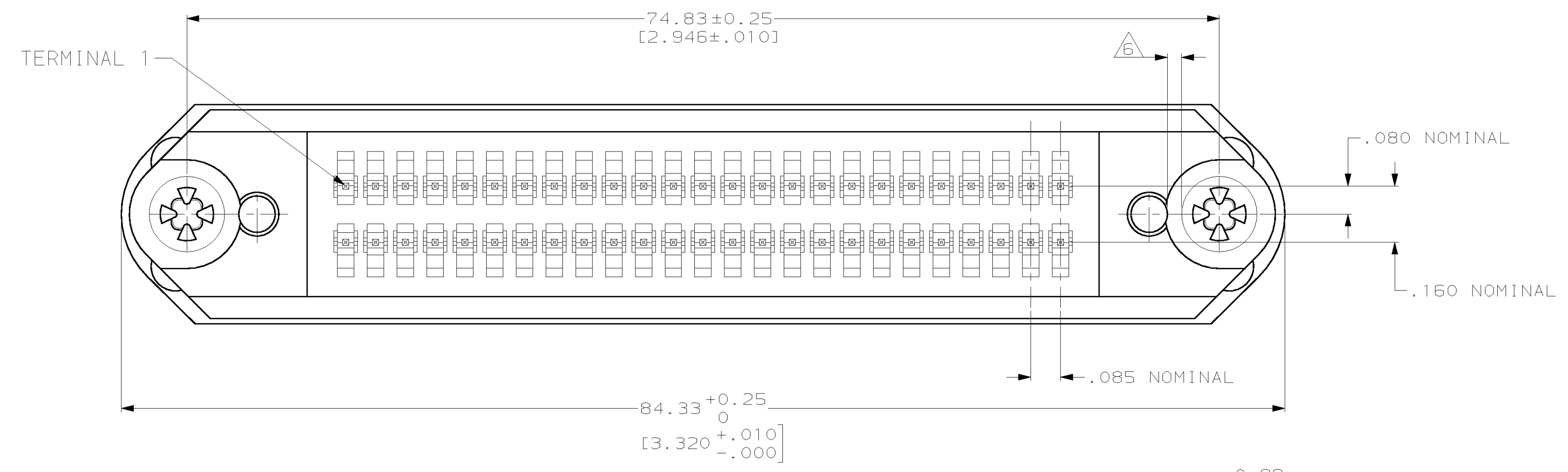


LOC	DIST	REV	DESCRIPTION	DATE	BY	APPV
AA	20	A	REVISED, EC 0012-99	18AUG99	DLD	EWB



- ⚠ MATERIAL: HOUSING - POLYESTER, BLACK. TERMINAL - COPPER ALLOY PLATED WITH 0.76µm [.000030] MINIMUM GOLD ON MATING SURFACE AND 3.81µm [.000150] MINIMUM MATTE TIN-LEAD SOLDER PIN AREA OVER 1.27µm [.000050] MINIMUM NICKEL UNDERPLATE OVER ENTIRE TERMINAL. SHIELD - CARBON STEEL, PLATED BRIGHT NICKEL 2.54µm [.000100] MINIMUM. BAIL CLIP - PASSIVATED STAINLESS STEEL. BOARDLOCK - COPPER ALLOY WITH 5.08µm [.000200] MINIMUM TIN-LEAD OVER 1.27µm [.000050] MINIMUM NICKEL UNDERPLATE. EYELET - BRASS WITH 1.02µm [.000040] MINIMUM STANNATE TIN ELECTROPLATE.
- ⚠ TOLERANCES ARE: ±0.13 [.005] UNLESS OTHERWISE SPECIFIED.
- 3. THE CONTACT SURFACES OF THE TERMINALS ARE COATED WITH LUBRICANT.
- ⚠ "1" ON HOUSING INDICATES LOCATION OF TERMINAL 1.
- ⚠ .04 INCH MINIMUM BETWEEN EYELET HEAD AND .10 DIAMETER HOLE IN HOUSING, 2 PLACES.
- ⚠ EYELET SHALL PROVIDE A CONTINUOUS AND RELIABLE GROUND PATH THROUGH THE BOARDLOCK.
- ⚠ LOCKING TAB RETAINS ENDS OF BAILS IN SHIELD LOCATORS.



PRINTED CIRCUIT BOARD MOUNTING DIMENSIONS

406874-1 PART NUMBER

THIS DRAWING IS A CONTROLLED DOCUMENT.		DWG: DL DRUMMOND 05 MAY 97 CHK: DL DRUMMOND 09 MAY 97 APPV: FL FLAHERTY 09 MAY 97	AMP AMP Incorporated Harrisburg, PA 17105-3608
DIMENSIONS: mm [INCHES] TOLERANCES UNLESS OTHERWISE SPECIFIED: 0 PLC ±.01 1 PLC ±.02 2 PLC ±.03 3 PLC ±.04 4 PLC ±.05 HUNDREDS ±.005	PRODUCT SPEC: - APPLICATION SPEC: - WEIGHT: - CUSTOMER DRAWING: -	NAME: RECEPTACLE ASSEMBLY, 50 POSITION, BOARDLOCK, SHIELDED, LOW PROFILE, VERTICAL MOUNTING, WITH LOCKING TAB SIZE: A1 CAGE CODE: 00779 DRAWING NO: C-406874	SCALE: 4:1 SHEET: 1 OF 1 REV: A