

AT91MEC01 Memory Extension Card

User Guide



Table of Contents

Section 1

Overview.....	1-1
1.1 Scope.....	1-1
1.2 Deliverables.....	1-1
1.3 System Requirements.....	1-1
1.4 The AT91MEC01.....	1-2

Section 2

Setting Up the AT91MEC01.....	2-1
2.1 Electrostatic Warning.....	2-1
2.2 Requirements.....	2-1
2.3 Layout.....	2-1
2.4 Jumper Settings.....	2-2
2.5 Connecting the Card to an AT91 Evaluation Board.....	2-2

Section 3

Memory Mapping with AT91MEC01.....	3-1
3.1 Memory Organization.....	3-1
3.2 Configuring the AT91 Evaluation Board EBI.....	3-2
3.2.1 MCU Chip Select Registers 0 and 1.....	3-2
3.2.2 MCU Chip Select Register 2.....	3-2
3.2.3 MCU Chip Select Register 3.....	3-2
3.2.4 MCU Chip Select Registers 4 and 5.....	3-2
3.2.5 MCU Memory Control Register.....	3-2
3.3 Configuring the EBI to Boot from Flash 0 or 1.....	3-2

Section 4

Using the Flash Downloader.....	4-1
4.1 Deliverables.....	4-1
4.2 Installation and Use.....	4-1

Section 5

Appendix A – Links.....	5-1
5.1 AT91MEC01 Link Description.....	5-1

Section 6

Appendix B – Schematics.....	3
------------------------------	---



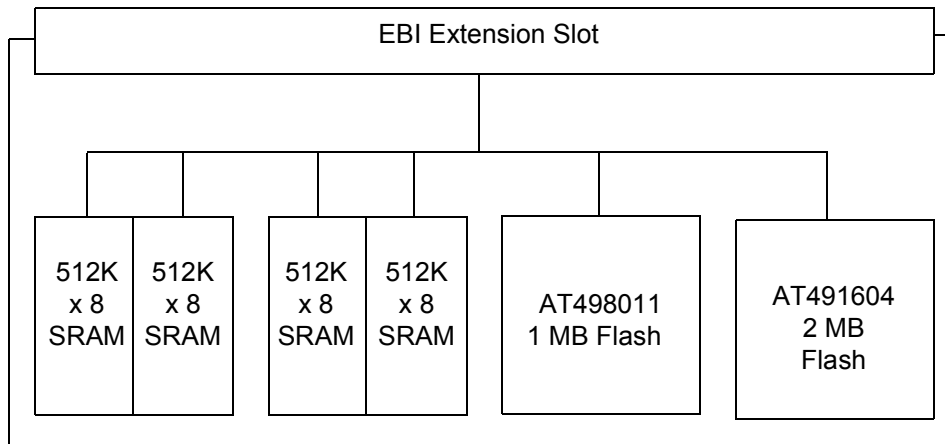
Section 1

Overview

-
- 1.1 Scope**
- The AT91MEC01 Memory Extension Card can connect to any AT91 ARM[®] Thumb[®] MCU evaluation board. The AT91MEC01 increases the memory capacity of the platform, adding 2M bytes of SRAM and 3M bytes of Flash on the external bus of the AT91 microcontrollers.
- The AT91MEC01 mounted on an AT91EB40 and configured to boot from either the AT49BV1604 or the AT49BV8011 allows the user to evaluate the AT91F40816 or the AT91FR4081 respectively.
- This guide describes how to use the AT91MEC01, and describes the AT49BV1604 and AT49BV8011 Flash downloaders:
- Section 1 provides an overview.
 - Section 2 describes how to set up the memory board.
 - Section 3 details the memory maps.
 - Section 4 contains references to the Flash downloaders.
 - Section 5 describes the configuration links.
 - Section 6 features the schematics for the AT91MEC01.
-
- 1.2 Deliverables**
- The AT91MEC01 is delivered with a connector that connects the card to the AT91 evaluation boards, and a CD-ROM that contains, in particular, a software toolkit and the documentation to program the Flash devices on the board.
- To use the card and its software, the user needs to provide a host computer and a debugging system.
- An AT91 evaluation board is also necessary.
-
- 1.3 System Requirements**
- The host computer must run the debugger in the ARM Software Development Toolkit, version 2.5 or higher.
- If an earlier version of the Software Development Toolkit is being used, it is strongly recommended that you upgrade to the most recent version. Other software toolkits for the ARM, available from third parties, are not covered in this guide. If a third-party toolkit is being used, use this guide alongside the documentation supplied with the toolkit.

- 1.4 The AT91MEC01** The card has four memory banks, made up from six memory devices soldered on the card:
- An AT49BV1604-11TC – with 2M bytes of Flash, two memory planes enabling simultaneous read/write
 - An AT49BV8011-11TC – with 1M byte of Flash, two memory planes enabling simultaneous read/write, one dedicated pin for Ready/Busy signal
 - Four 512K x 8 SRAM devices – with 15 ns access time, for a total of 2M bytes of 0 wait state Thumb instruction fetch address space (in nominal conditions)

Figure 1-1. Memory Extension Card 01 Block Diagram

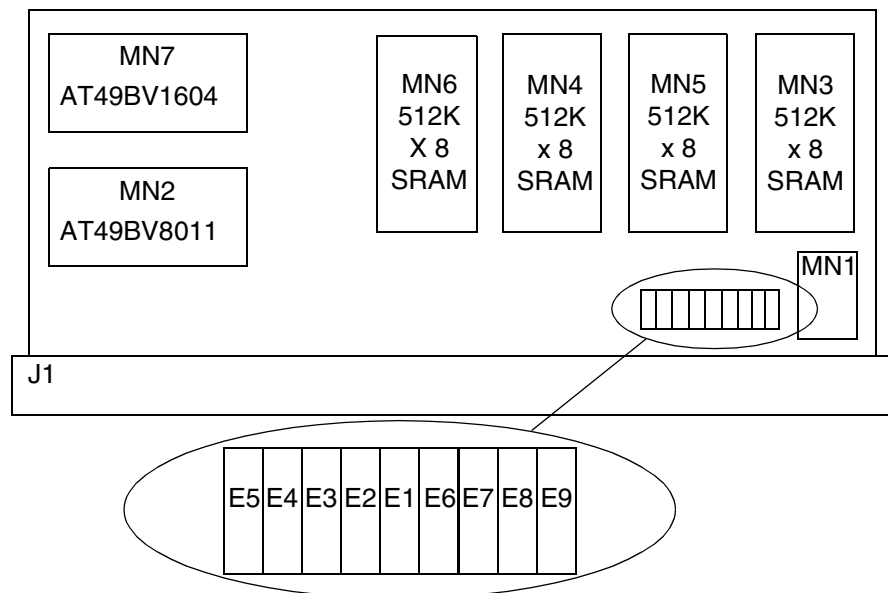




Section 2

Setting Up the AT91MEC01

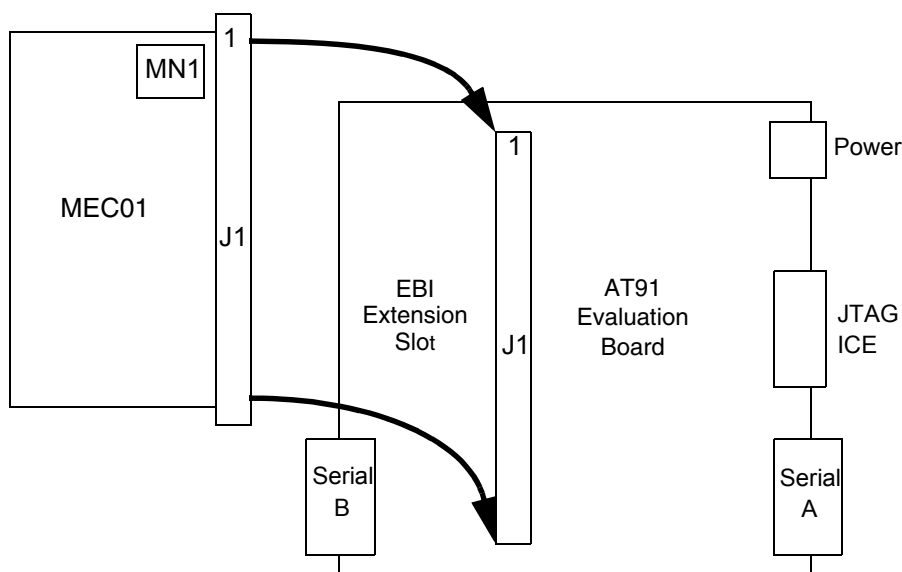
- 2.1 Electrostatic Warning** The AT91MEC01 is shipped in protective anti-static packaging. The board must not be subjected to high electrostatic potentials. A grounding strap or similar protective device should be worn when handling the board. Avoid touching the component pins or any other metallic element.
- 2.2 Requirements** Requirements in order to set up the AT91MEC01 are:
- the host computer running the ARM Software Development Toolkit (a time-limited evaluation copy is provided with the CD-ROM)
 - any AT91 ARM Thumb MCU evaluation board
 - a suitable connection between the host and the evaluation board
 - DC power supply capable of supplying 7.5V to 9V @ 1 A (not supplied)
- 2.3 Layout** *Figure 2-1.* Layout of the AT91MEC01



2.4 Jumper Settings When E2 is closed, the AT49BV1604 (MN7) is selected by NCS0. When E3 is closed, the AT49BV1604 (MN7) is selected by NCS2. When E4 is closed, the AT49BV8011 (MN2) is selected by NCS0. When E5 is closed, the AT49BV8011 (MN2) is selected by NCS3. The two 1MB SRAM banks are connected to active high or low chip select lines 4 and 5. E6 connects the active low NCS4 line to the first SRAM bank. E7 connects the active high CS4 line to the first SRAM bank. E8 connects the active low NCS5 line to the second SRAM bank. E9 connects the active high CS5 to the second SRAM bank. The E1 link connects the AT49BV8011 (MN2) Ready/Busy signal to the line MCKO signal of the EBI extension slot. If the Ready/Busy feature is not used, it is strongly recommended that you open the E1 link. The use of the Ready/Busy signal requires the MCKO signal, multiplexed with a PIO signal on the MCU to be configured in PIO input mode. This capability is, however, not available on the EB55. The links E3, E5, E7 and E9 are closed by default.

2.5 Connecting the Card to an AT91 Evaluation Board See Figure 2-2. Solder the connector on the evaluation board. Connect the plug on the EBI extension slot into the socket on the MEC01 AT91 evaluation board. Match pin 1 on the MEC01 to the square connector located on the MN1 side of the J1 connector. Pin 1 of the EBI extension slot is marked on the board.

Figure 2-2. Connecting the AT91MEC01 to the AT91 Evaluation Board



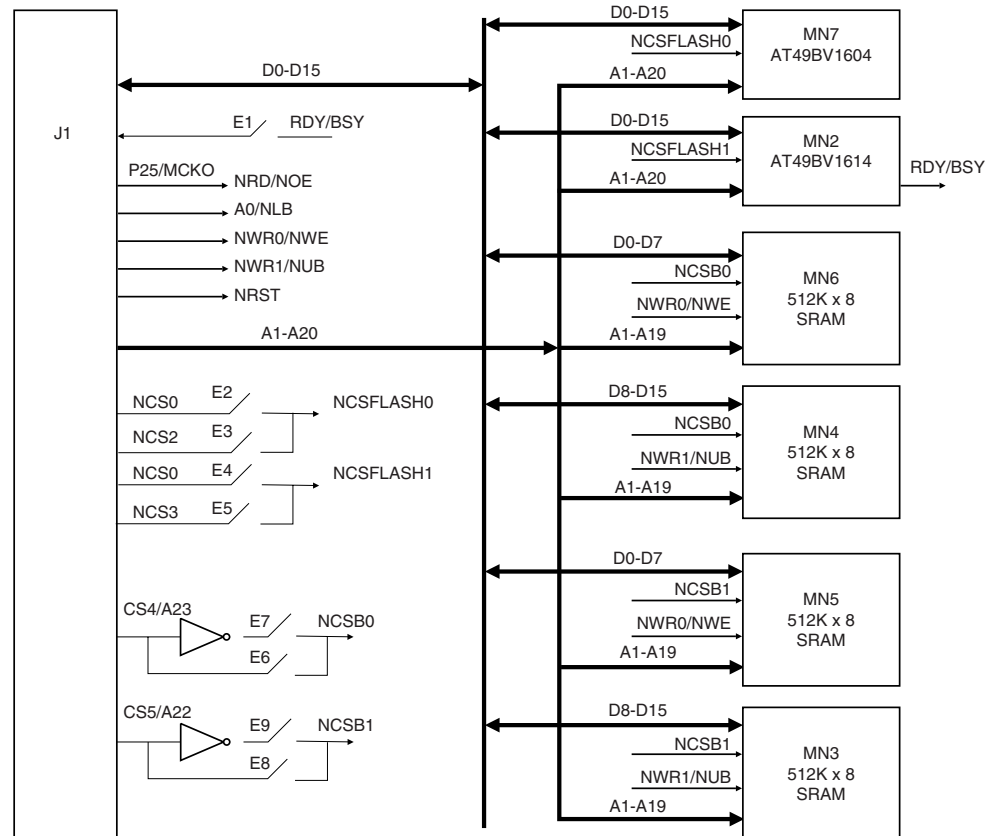


Memory Mapping with AT91MEC01

3.1 Memory Organization

The memory banks on the AT91MEC01 are organized as shown in Figure 3-1.

Figure 3-1. Memory Organization



-
- 3.2 Configuring the AT91 Evaluation Board EBI**
- The EBI must be programmed to support the AT91MEC01, and integrate the additional memory into the microcontroller address space.
- The base addresses of the memory banks can be configured as the user requires. In the setup below, the base address of Flash 0 (AT49BV1604) is 0x0300 0000, the Flash 1 base address is 0x0400 0000, and both SRAM banks are mapped contiguously from address 0x0500 0000.
- The number of wait states is calculated using a system clock at 25 MHz. If a different system clock frequency is used, the number of wait states should be changed in order to optimize the microcontroller performance.
- 3.2.1 MCU Chip Select Registers 0 and 1** NCS0 selects the boot non-volatile memory. NCS1 selects the external SRAM of the AT91 evaluation board. The values of NCS0 and NCS1 must not be changed.
- 3.2.2 MCU Chip Select Register 2** NCS2 selects Flash 0 when the E3 link is closed. It is programmed with the value 0x0300 24B5.
- This configuration enables the EBI and selects a 4 MB bank at address 0x0300 0000 with a 16-bit data bus with byte write access that has six wait states and two data float time cycles.
- 3.2.3 MCU Chip Select Register 3** NCS3 selects Flash 1 when the E5 link is closed. It is programmed with the value 0x0400 24B5.
- This configuration enables the EBI, and selects a 4 MB bank at address 0x0400 0000 with a 16-bit data bus with byte write access that has six wait states and two data float time cycles.
- 3.2.4 MCU Chip Select Registers 4 and 5** CS4 and CS5 select the SRAM banks. Depending on the activity of these lines, the links E6 and E8 or E7 and E9 must be closed. In the cases of the EB01, EB42 or EB63, CS4 and CS5 are multiplexed with address lines and are active high. This requires that links E7 and E9 be closed. In the case of the EB55, CS4 and CS5 are active low. This requires that links E6 and E8 be closed.
- In the example configuration, CS4 must be programmed with value 0x0500 2021. CS5 must be programmed with the value 0x0510 2021.
- This configuration enables CS4 and CS5, and selects a 1 MB bank with a 16-bit data bus and byte select access that has one wait state and no data float time.
- This creates a contiguous 2 MB SRAM bank from address 0x0500 0000.
- 3.2.5 MCU Memory Control Register** Except for the EB55, the ALE field of the Memory Control Register must be programmed with 0x6. This enables the pins A20/CS7 to be driven as the address lines, and the pins A23/CS4 to be driven as chip select lines.
-
- 3.3 Configuring the EBI to Boot from Flash 0 or 1**
- In order to boot from either Flash memory on the AT91MEC01, all devices connected to NCS0 on the AT91 evaluation board must be disabled. To do this:
- On the AT91EB01, desolder the U3 Flash (or cut the chip select of this device and tie it high).
 - On the AT91EB63, make sure the E3 link is open by cutting the wire.
 - On the AT91EB42 and AT91EB55, make sure the CB9 link is open by cutting the wire.
 - On the AT91MEC01, enable the required Flash with NCS0 by closing link E2 for Flash 0 or link E4 for Flash 1.



Section 4

Using the Flash Downloader

4.1 Deliverables

The CD-ROM delivered with the AT91 memory extension card contains the following shown in Table 4-1:

Table 4-1. Deliverables

Folder Name	Contents	Description
Tutorial	Memory Extension Board.ppt	How to connect and check memory extension card (MEC01)
	download_flash_at49.ppt	How to download an application software program to the MEC01 Flash devices
Software\Tools\ Flash_AT91	download_flash_at49.c	C source code for Flash downloader
	erase_at49.c	C source code for Flash eraser
	download_flash_at49.prj	Flash Downloader Project file for Flash downloader for ARM Software Development Toolkit, V2.5 and Aspx
	mec_map (no extension, script file)	The script file for the ARM SDT V2.5 debugger that enables AT91MEC01 memory mapping
	program (no extension, script file)	An example

4.2 Installation and Use

The following files are available in the tutorial folder:

- **Memory Extension Board.ppt:** explains how to connect and check the memory extension card.
- **download_flash_at49.ppt:** explains how to download an application software program to the MEC01 Flash devices.



Section 5

Appendix A – Links

5.1 AT91MEC01 Link Description

The following table explains the links for the AT91MEC01.

Table 5-1. Link Descriptions

Link Name	Position	Description
E1	Open	The microcontroller cannot read the Ready/Busy signal from Flash 1.
	Closed	The microcontroller reads the Ready/Busy signal from Flash 1 on pin MCKO.
E2	Open	NCS0 deselects Flash 0.
	Closed	NCS0 selects Flash 0. E3 and E4 must be open.
E3	Open	NCS2 deselects Flash 0.
	Closed	NCS2 selects Flash 0. E2 must be open.
E4	Open	NCS0 deselects Flash 1.
	Closed	NCS0 selects Flash 1. E2 and E5 must be open.
E5	Open	NCS3 deselects Flash 1.
	Closed	NCS3 selects Flash 1. E4 must be open.
E6	Open	NCS4 ⁽¹⁾ deselects SRAM bank 0.
	Closed	NCS4 ⁽¹⁾ selects SRAM bank 0. E7 must be open.
E7	Open	CS4/A23 ⁽¹⁾ deselects SRAM bank 0.
	Closed	CS4/A23 ⁽¹⁾ selects SRAM bank 0. E6 must be open.
E8	Open	NCS5 ⁽¹⁾ deselects SRAM bank 1.
	Closed	NCS5 ⁽¹⁾ selects SRAM bank 1. E9 must be open.
E9	Open	CS5/A22 ⁽¹⁾ deselects SRAM bank 1.
	Closed	CS5/A22 ⁽¹⁾ selects SRAM bank 1. E8 must be open.

Note: 1. On certain variants of the AT91 series, the chip select signals 4 and 5 are called CS4/A23 and CS5/A22 (active high); on others, they are called NCS4 and NCS5 (active low).



Section 6

Appendix B – Schematics

The following schematics are appended:

Figure Figure 6-1 AT91MEC01 PCB Layout

Figure Figure 6-2 AT91MEC01 EBI Connector and Flash

Figure Figure 6-3 AT91MEC01 SRAM Banks

Figure 6-1. AT91MEC01 PCB Layout

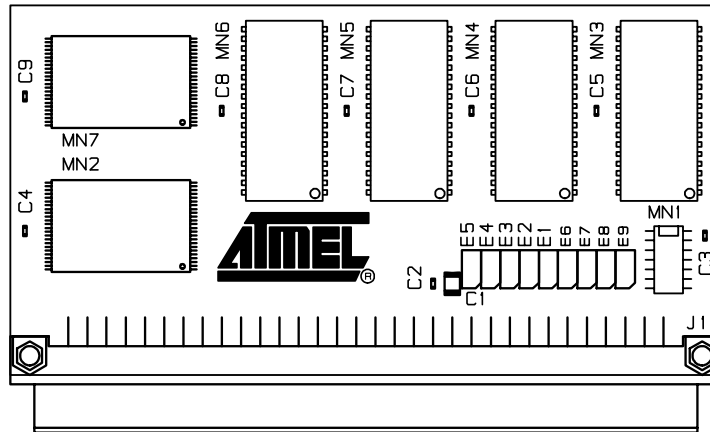


Figure 6-2. AT91MEC01 EBI Connector and Flash

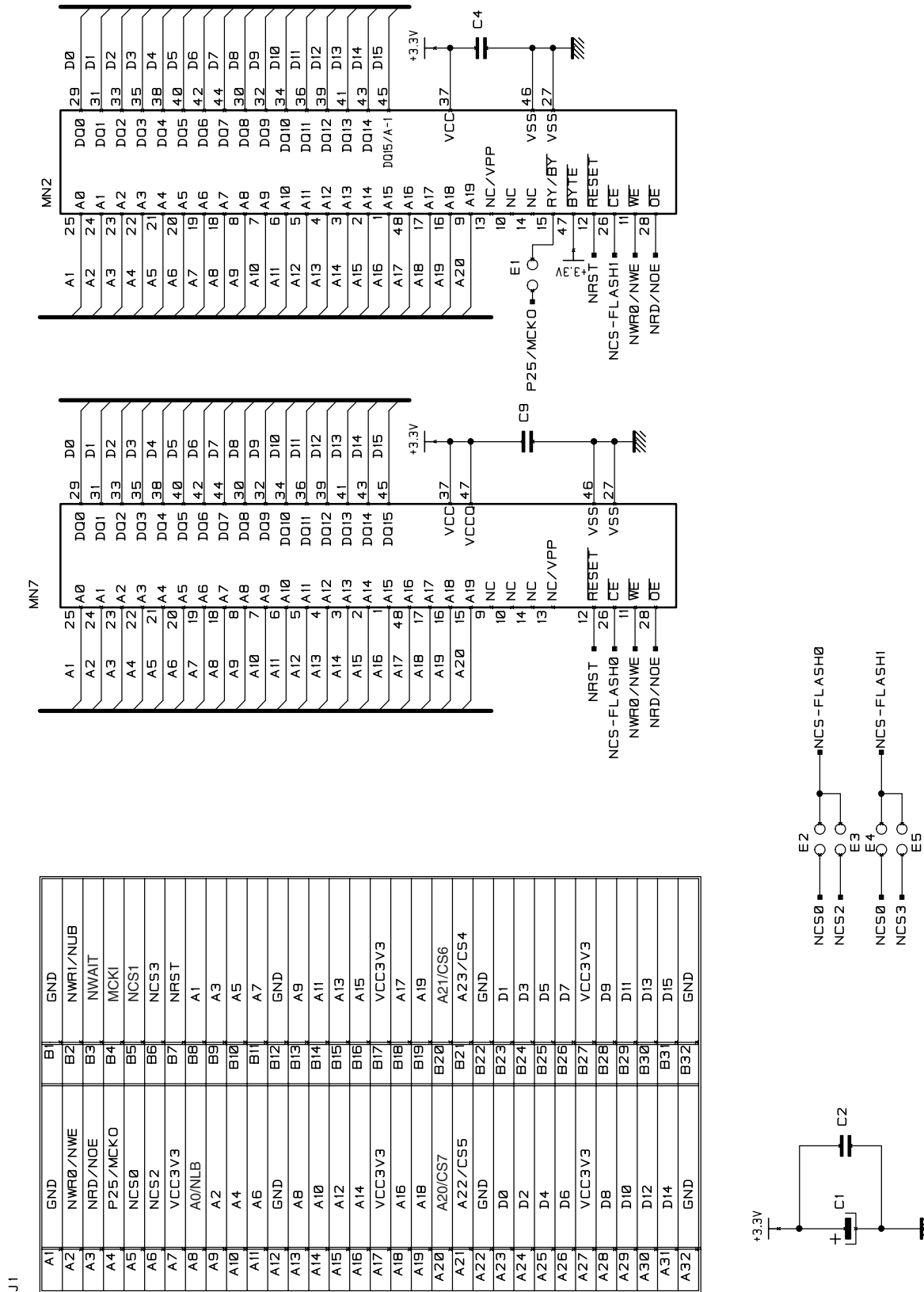
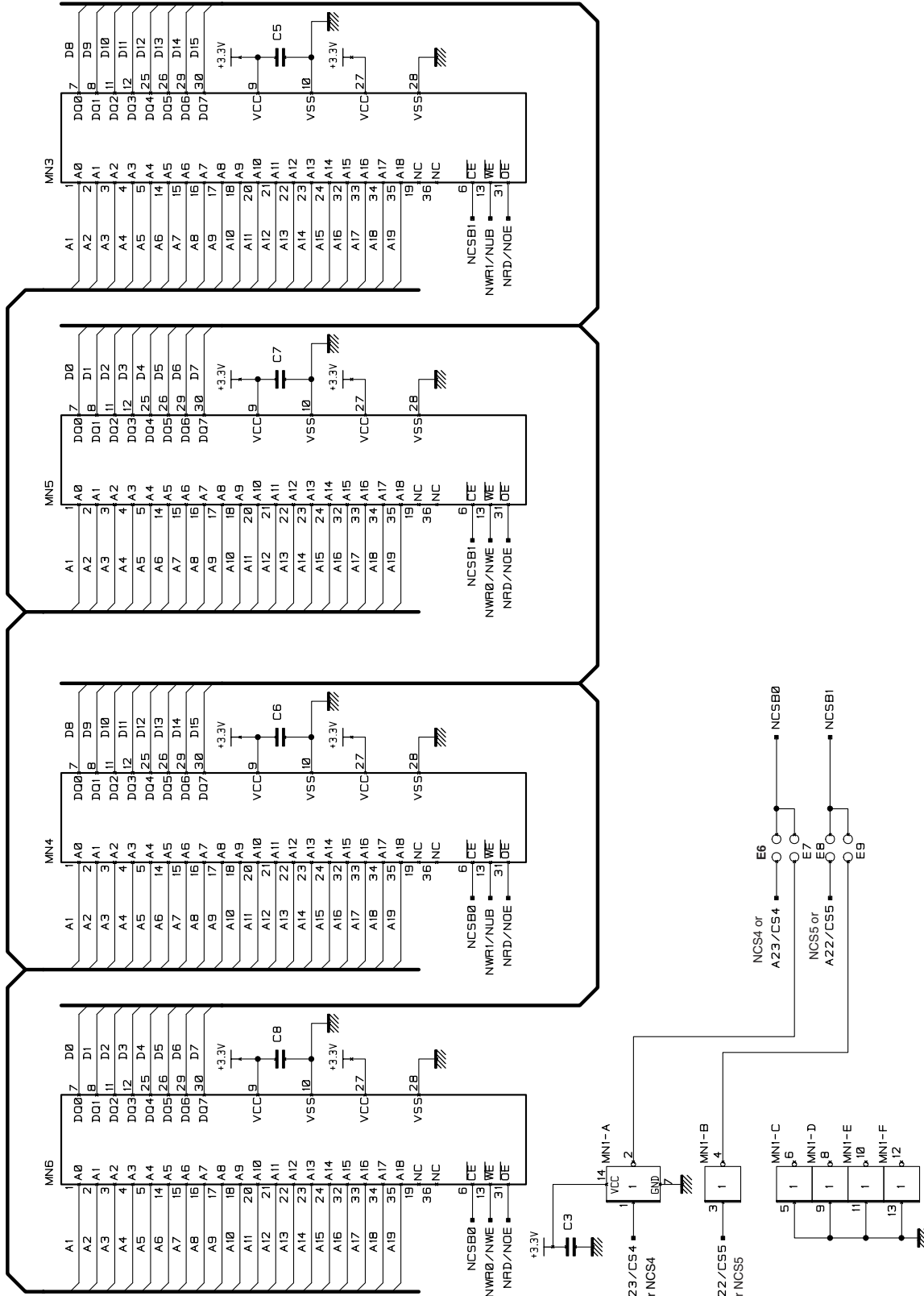


Figure 6-3. AT91MEC01 SRAM Banks





Atmel Headquarters

Corporate Headquarters
2325 Orchard Parkway
San Jose, CA 95131
TEL (408) 441-0311
FAX (408) 487-2600

Europe

Atmel SarL
Route des Arsenaux 41
Casa Postale 80
CH-1705 Fribourg
Switzerland
TEL (41) 26-426-5555
FAX (41) 26-426-5500

Asia

Atmel Asia, Ltd.
Room 1219
Chinachem Golden Plaza
77 Mody Road Tsimhatsui
East Kowloon
Hong Kong
TEL (852) 2721-9778
FAX (852) 2722-1369

Japan

Atmel Japan K.K.
9F, Tonetsu Shinkawa Bldg.
1-24-8 Shinkawa
Chuo-ku, Tokyo 104-0033
Japan
TEL (81) 3-3523-3551
FAX (81) 3-3523-7581

Atmel Operations

Atmel Colorado Springs
1150 E. Cheyenne Mtn. Blvd.
Colorado Springs, CO 80906
TEL (719) 576-3300
FAX (719) 540-1759

Atmel Rousset
Zone Industrielle
13106 Rousset Cedex
France
TEL (33) 4-4253-6000
FAX (33) 4-4253-6001

Atmel Smart Card ICs
Scottish Enterprise Technology Park
East Kilbride, Scotland G75 0QR
TEL (44) 1355-803-000
FAX (44) 1355-242-743

Atmel Grenoble
Avenue de Rochepleine
BP 123
38521 Saint-Egreve Cedex
France
TEL (33) 4-7658-3000
FAX (33) 4-7658-3480

Fax-on-Demand

North America:
1-(800) 292-8635
International:
1-(408) 441-0732

e-mail
literature@atmel.com

Web Site
<http://www.atmel.com>

BBS
1-(408) 436-4309



© Atmel Corporation 2001.

Atmel Corporation makes no warranty for the use of its products, other than those expressly contained in the Company's standard warranty which is detailed in Atmel's Terms and Conditions located on the Company's web site. The Company assumes no responsibility for any errors which may appear in this document, reserves the right to change devices or specifications detailed herein at any time without notice, and does not make any commitment to update the information contained herein. No licenses to patents or other intellectual property of Atmel are granted by the Company in connection with the sale of Atmel products, expressly or by implication. Atmel's products are not authorized for use as critical components in life support devices or systems.

ARM, Thumb and ARM Powered are trademarks of ARM Limited.
Marks bearing ® and/or ™ are registered trademarks and trademarks of Atmel Corporation.
Terms and product names in this document may be trademarks of others.



Printed on recycled paper.