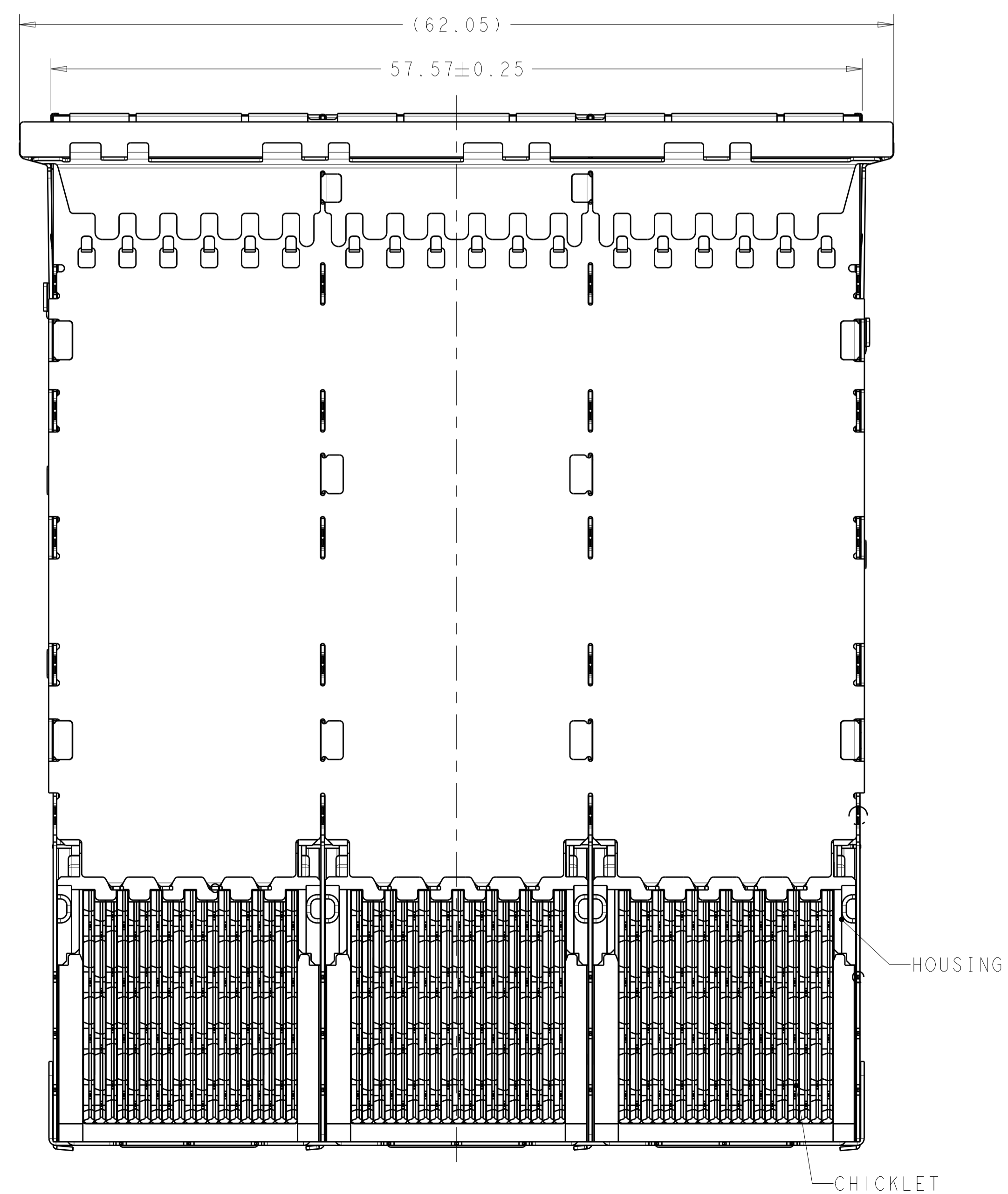
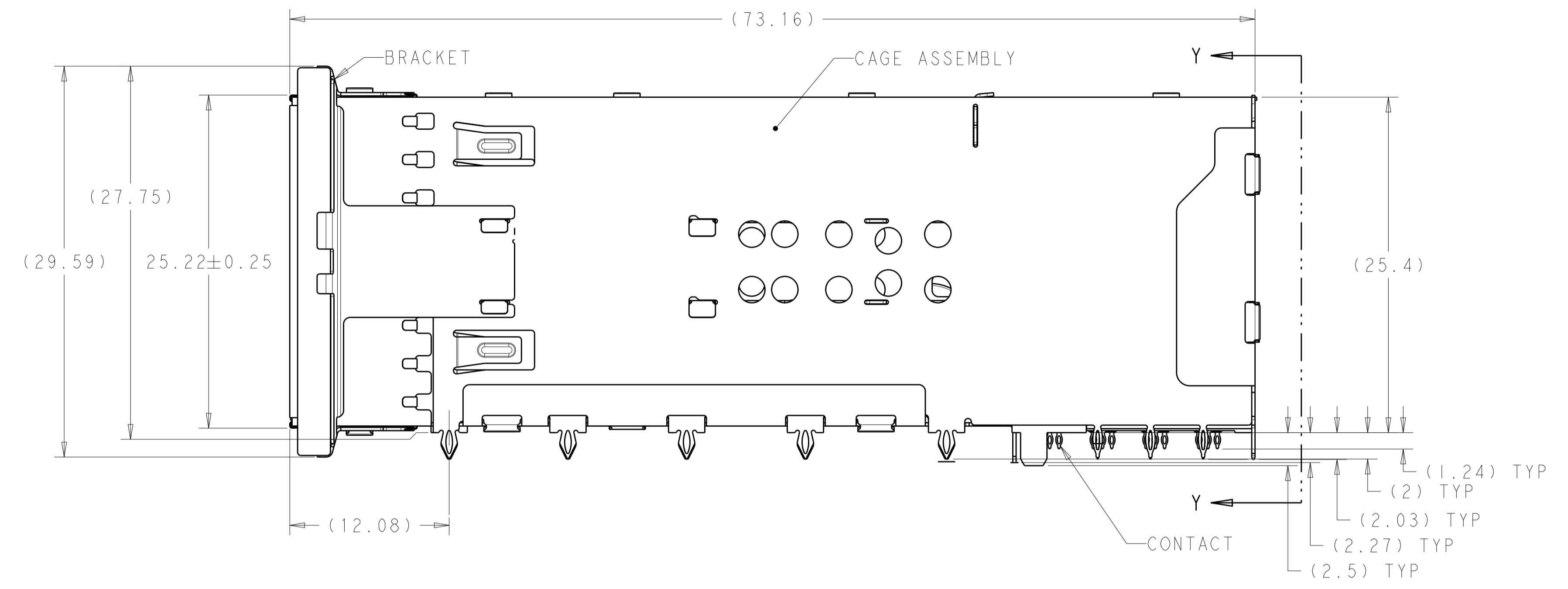
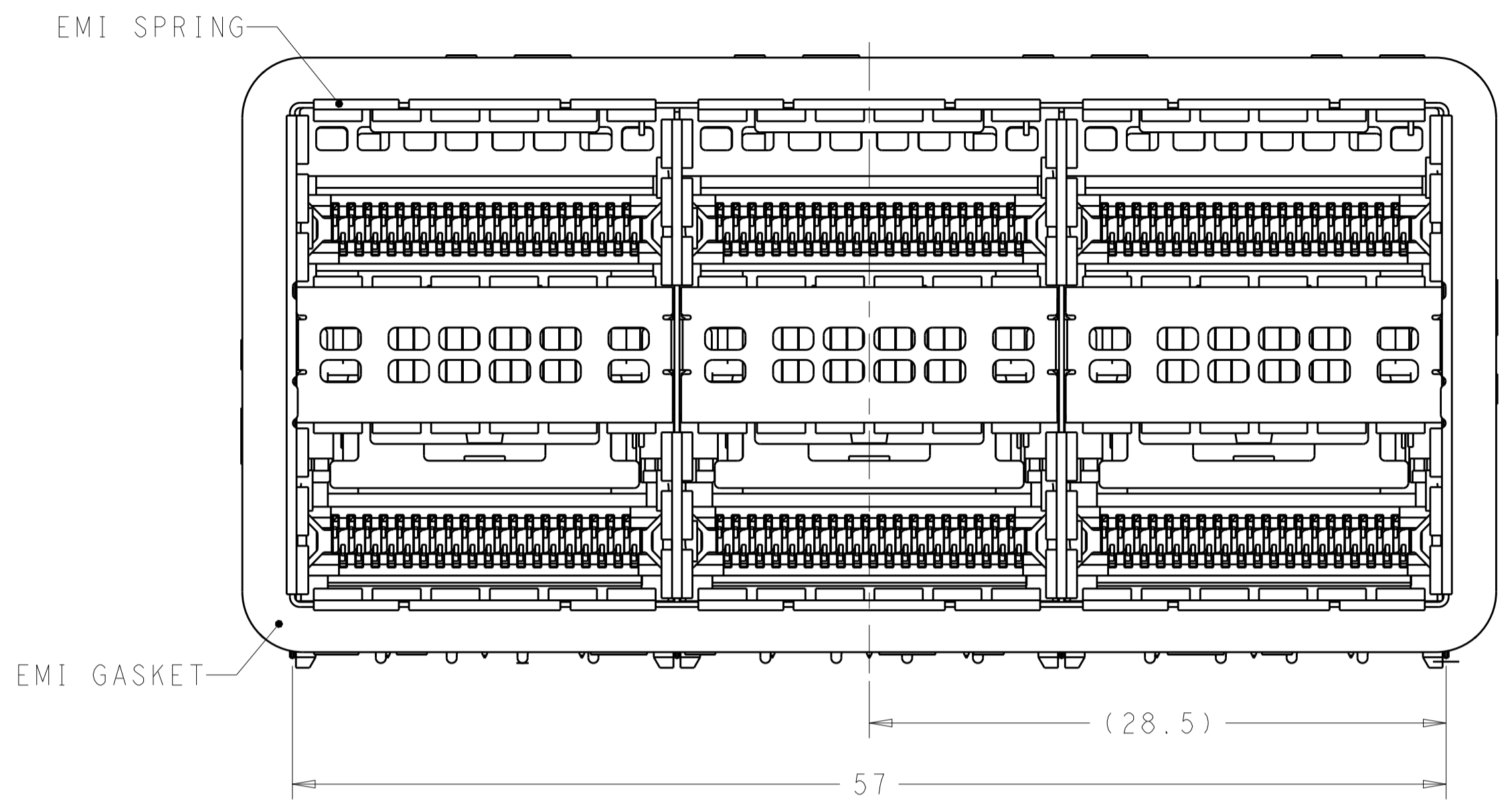


LOC	DIST	REVISIONS			
P	LTN	DESCRIPTION	DATE	DWN	APVD
A		RELEASED FOR PRODUCTION	01MAR2016	TX	SH



- MATERIALS:
 CAGE ASSEMBLY- NICKEL SILVER ALLOY PER ASTM B 122.
 BRACKET- NICKEL SILVER ALLOY PER ASTM B 122.
 EMI SPRING- COPPER ALLOY, NICKEL PLATED.
 EMI GASKET- PLATED FILLED SILICONE.
 HOUSING- POLYESTER LCP WITH 94 V-0.
 CHICKLET- POLYESTER LCP WITH 94 V-0.
 CONTACT- COPPER ALLOY.
 LIGHTPIPE- POLYCARBONATE WITH 94 V-0.
- CONTACT FINISH: 0.76µm GOLD ON MATING END, 1.25µm TIN ON SOLDER TAIL, ALL OVER 1.27µm NICKEL.
- DATUM AND BASIC DIMENSION ESTABLISHED BY CUSTOMER.
- MINIMUM PCB THICKNESS OF 1.57.
- THE ENTIRE AREA OF THE CONNECTOR FOOTPRINT, INDICATED BY THE DASHED LINE, TO BE CONSIDERED THE KEEPOUT AREA FOR COMPONENTS.
- CROSS-HATCHED AREAS REPRESENT ZONES ON THE PCB THAT COME IN CONTACT WITH OR BE IN CLOSE PROXIMITY TO THE PLASTIC HOUSING OR THE CONNECTOR CAGE. INDICATED AREAS TO BE CONSIDERED TRACE FREE.
- PART NUMBER AND DATE CODE MARKED IN APPROXIMATE AREA SHOWN.
- HATCHED AREA IS PLACEMENT ZONE FOR LED. LED SHOULD BE CENTERED WITHIN ZONE. RECOMMEND 0805 PACKAGE.
- CONTACT FINISH: 0.08µm MINIMUM GOLD OVER 0.68µm PALLADIUM-NICKEL ON MATING END, 1.25µm TIN ON SOLDER TAIL, ALL OVER 1.27µm NICKEL.

CONTACT FINISH	DESCRIPTION	PART NUMBER
9	LEFT INDICATOR DOWN	2214565-6
9	LEFT INDICATOR UP	2214565-5
9	NO LIGHTPIPE	2214565-4
2	LEFT INDICATOR DOWN	2214565-3
2	LEFT INDICATOR UP	2214565-2
2	NO LIGHTPIPE	2214565-1

THIS DRAWING IS A CONTROLLED DOCUMENT. DIMENSIONING AND TOLERANCING PER ASME Y14.5M-2009.

DIMENSIONS: mm
 TOLERANCES UNLESS OTHERWISE SPECIFIED:
 0 PLC ±
 1 PLC ±0.25
 2 PLC ±0.15
 3 PLC ±
 4 PLC ±
 ANGLES ±
 FINISH ±

MATERIAL: SEE NOTE 1
 FINISH: SEE NOTE 2

DWN: M. SHIRK 27FEB2012
 CHK: D. SZCZESNY 27FEB2012
 APVD: -

PRODUCT SPEC: 108-60102
 APPLICATION SPEC: 114-60015

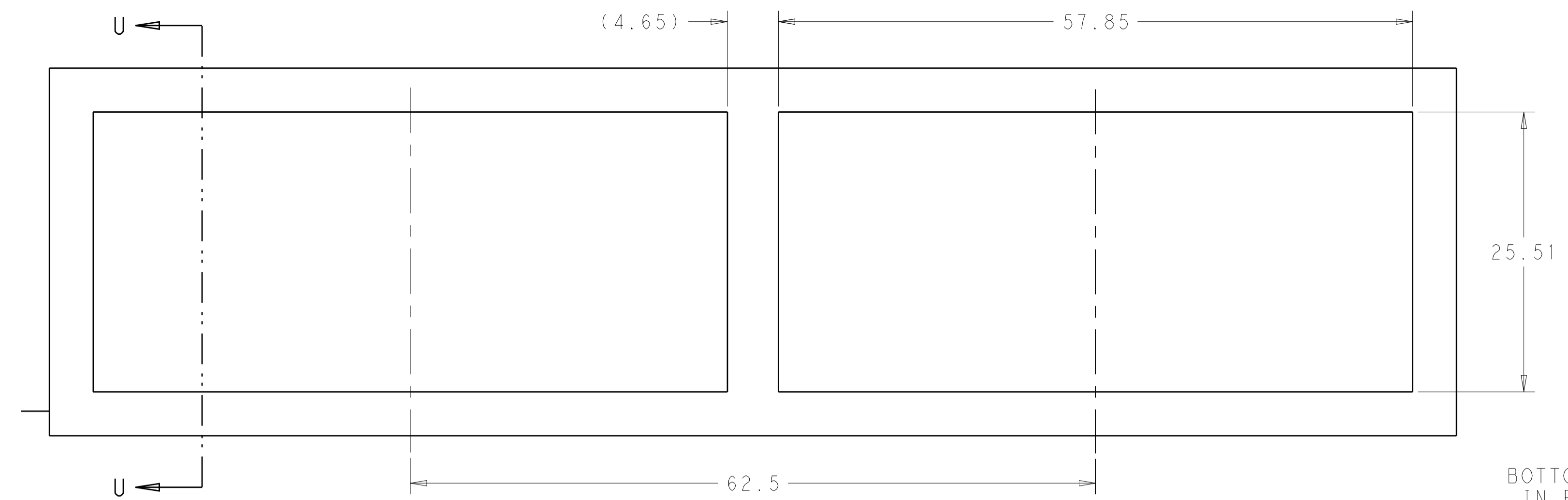
WEIGHT: -

CUSTOMER DRAWING

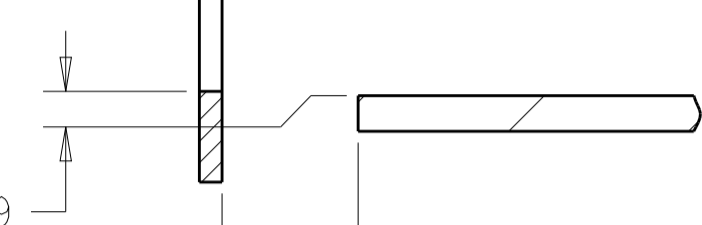
SCALE: 4:1
 SHEET: 1 OF 4
 REV: A

TE Connectivity
 NAME: CAGE AND CONNECTOR ASSEMBLY, WITH EMI GASKET, 2X3, ZQSFP+ STACKED
 SIZE: CAGE CODE DRAWING NO: 100779
 DRAWING NO: 2214565

LOC	DIST	REV	DATE	BY	APPD
		1			
		2			

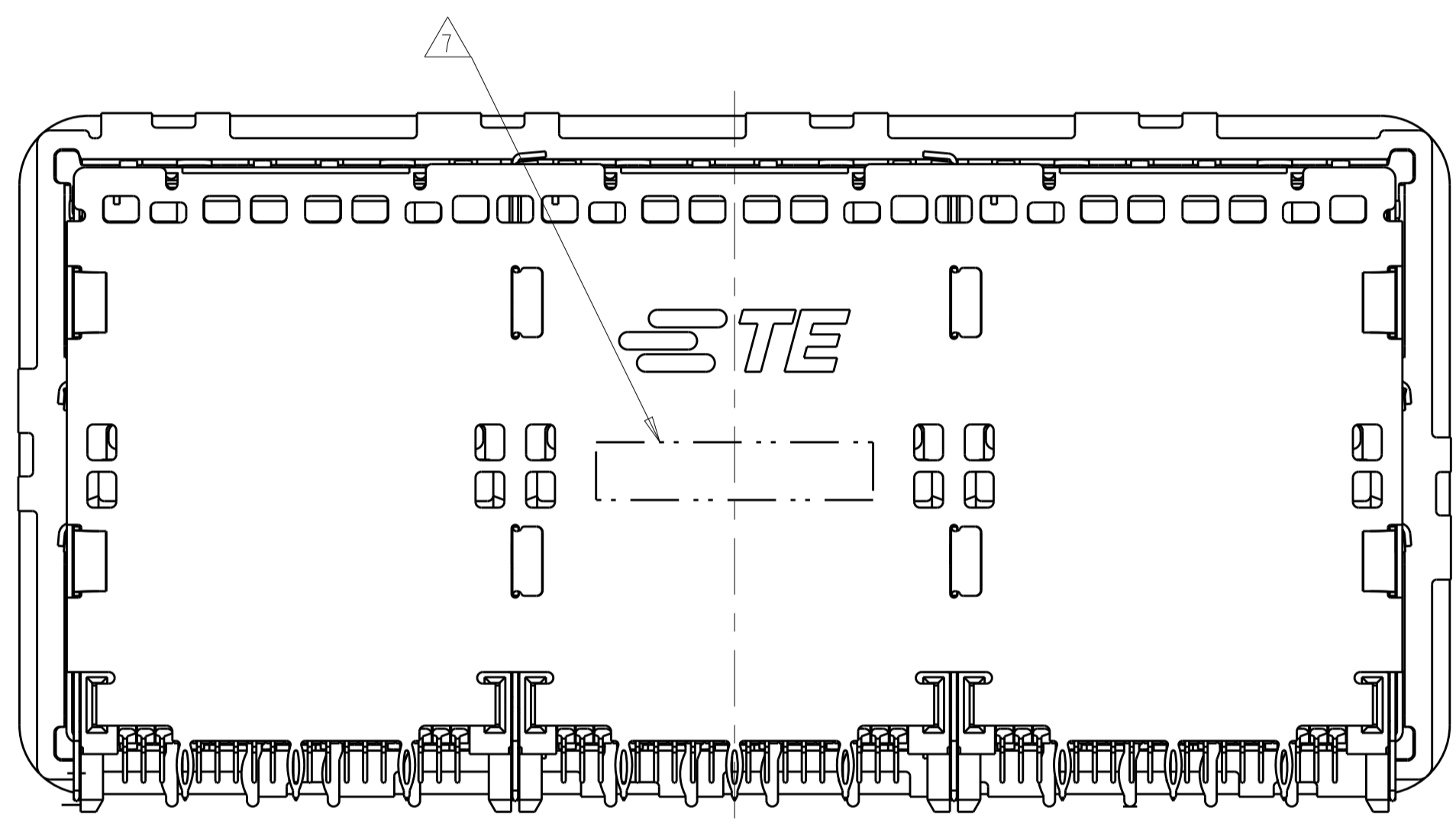


RECOMMENDED PANEL CUTOUT AND PC BOARD, PANEL POSITION
 SCALE 3:1

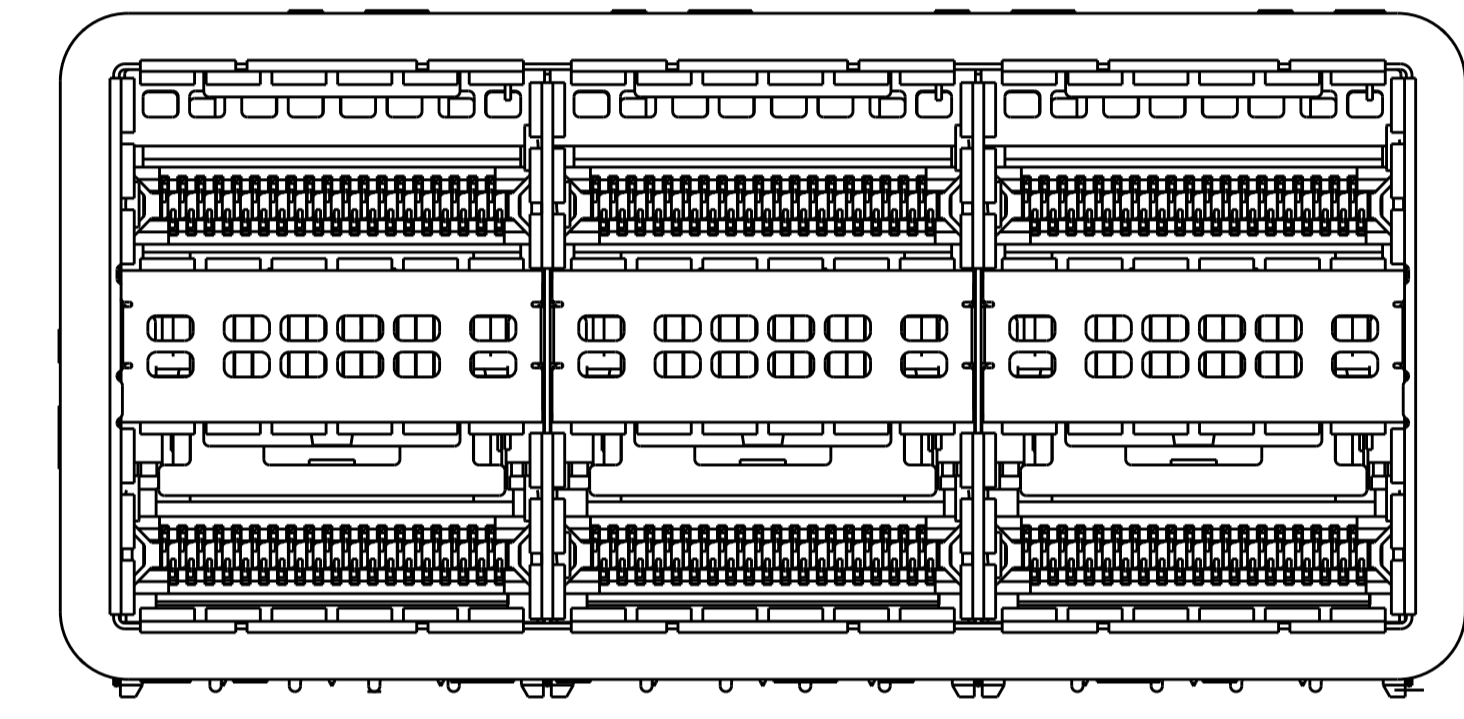


0.19
 BOTTOM OF CUTOUT IN PANEL TO TOP OF PC BOARD
 6±0.3
 DISTANCE BETWEEN BACK OF PANEL AND FRONT OF PC BOARD

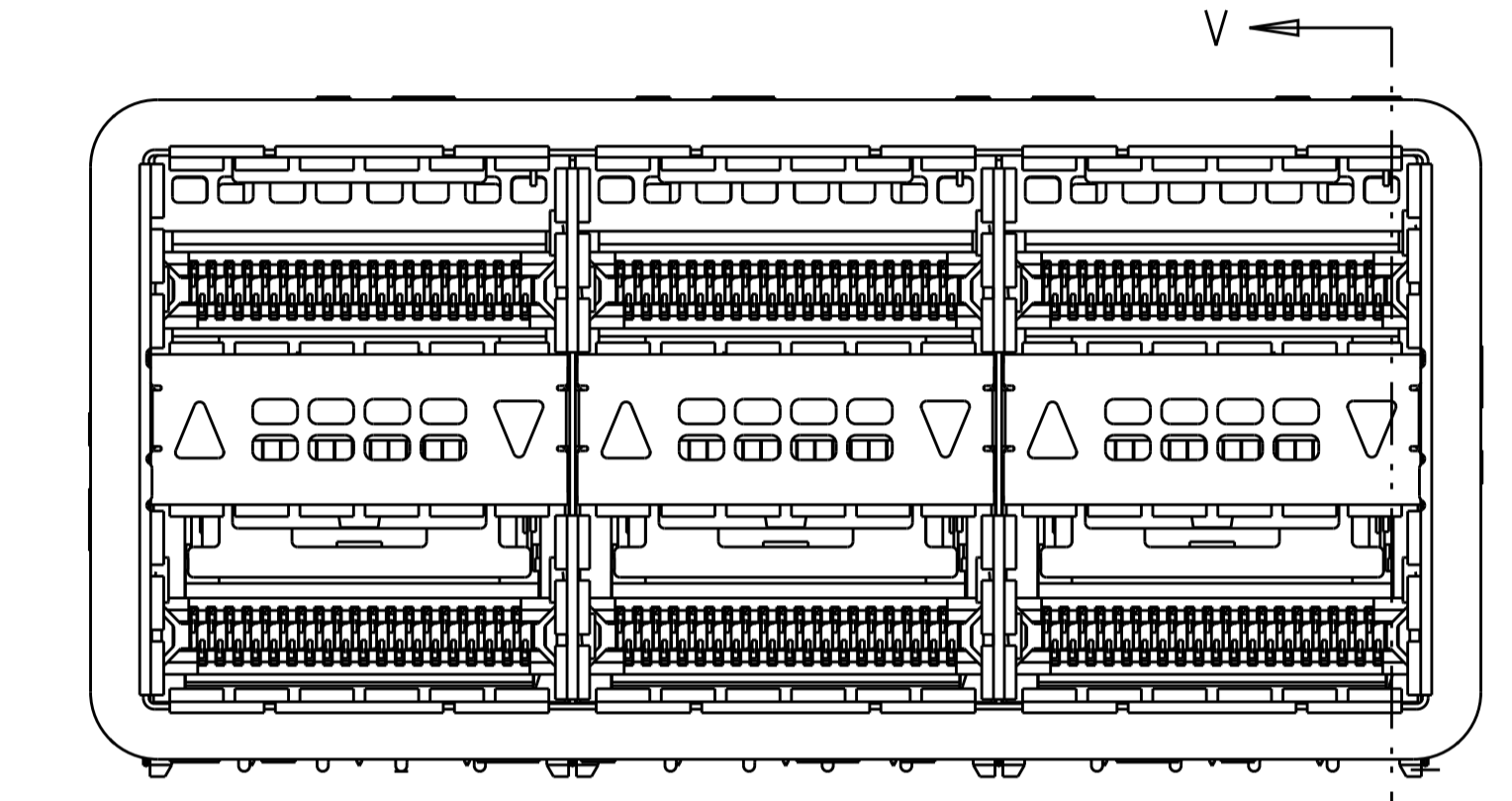
SECTION U-U



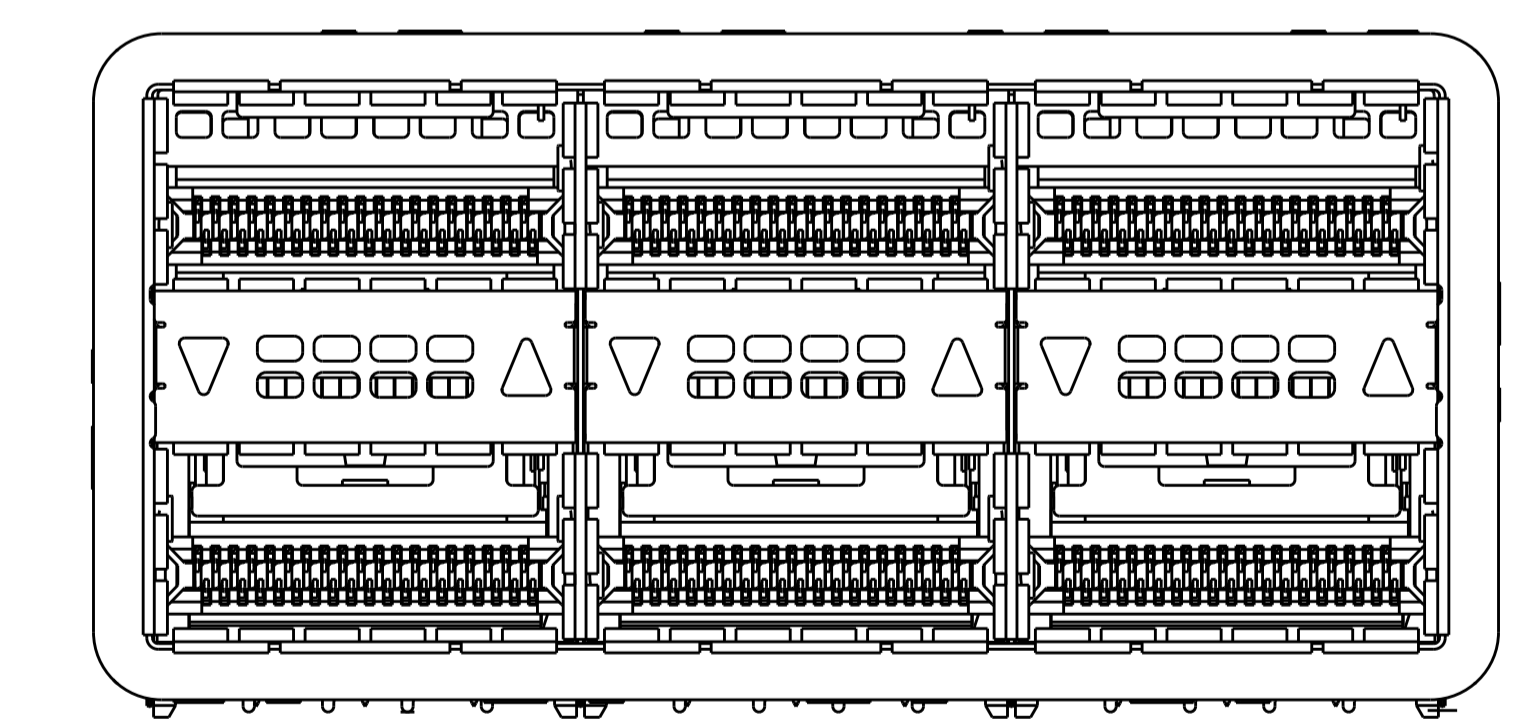
VIEW Y-Y



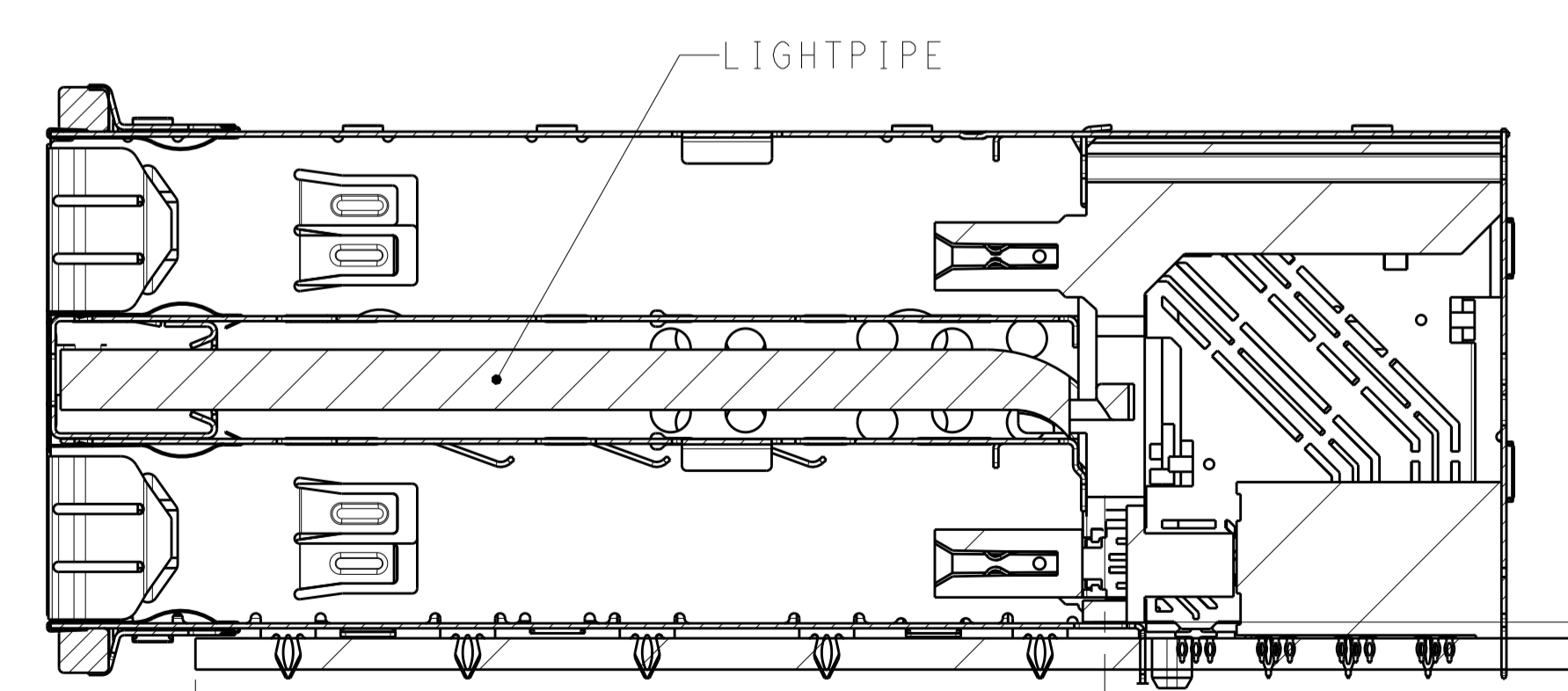
2214565-1 / 2214565-4
 NO LIGHTPIPE IN ASSEMBLY
 SCALE 3:1



2214565-2 / 2214565-5
 LEFT LIGHTPIPE INDICATOR POINTING TO UPPER PORT
 SCALE 3:1



2214565-3 / 2214565-6
 LEFT LIGHTPIPE INDICATOR POINTING TO LOWER PORT
 SCALE 3:1

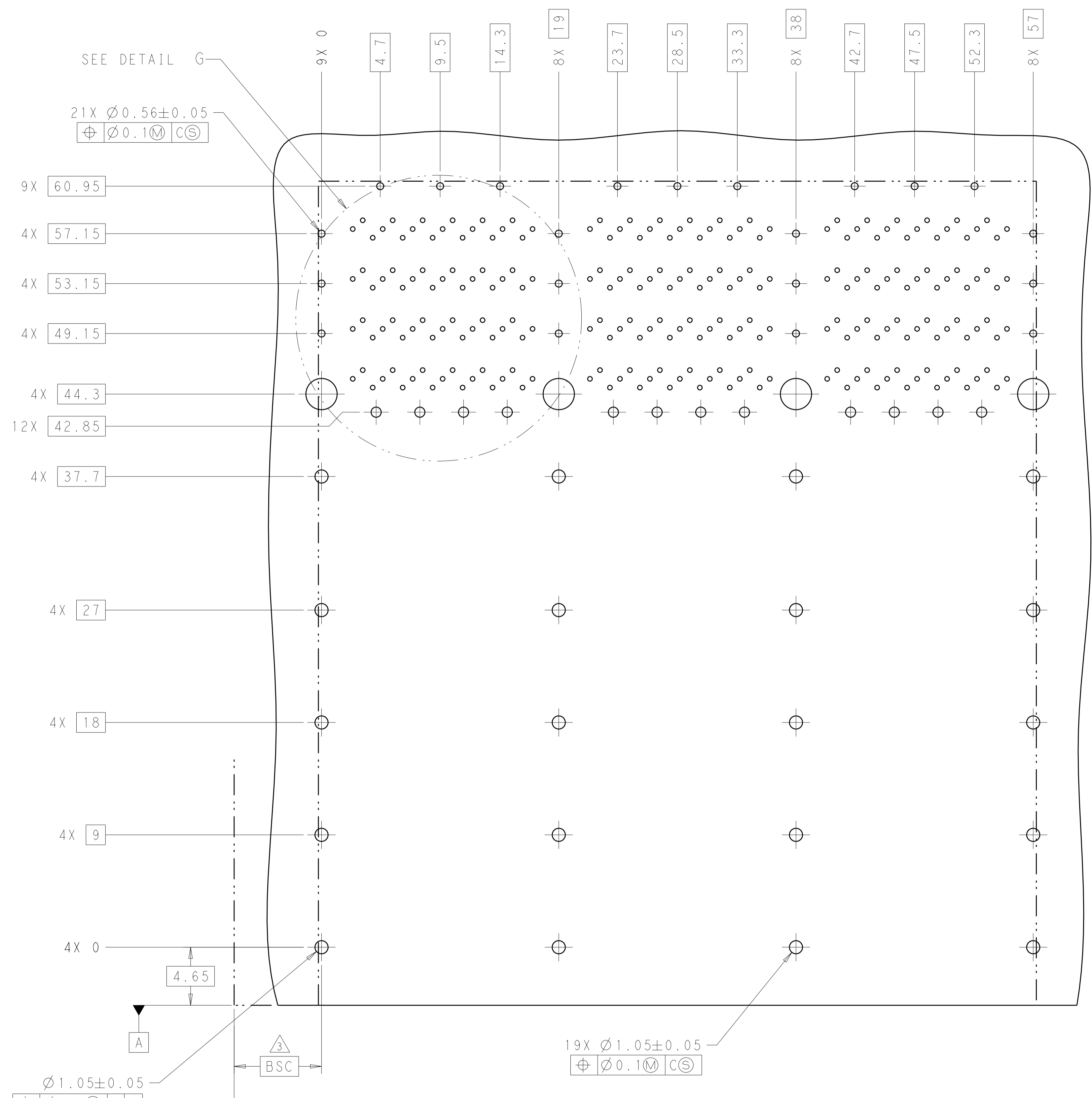


SECTION V-V
 SCALE 3:1

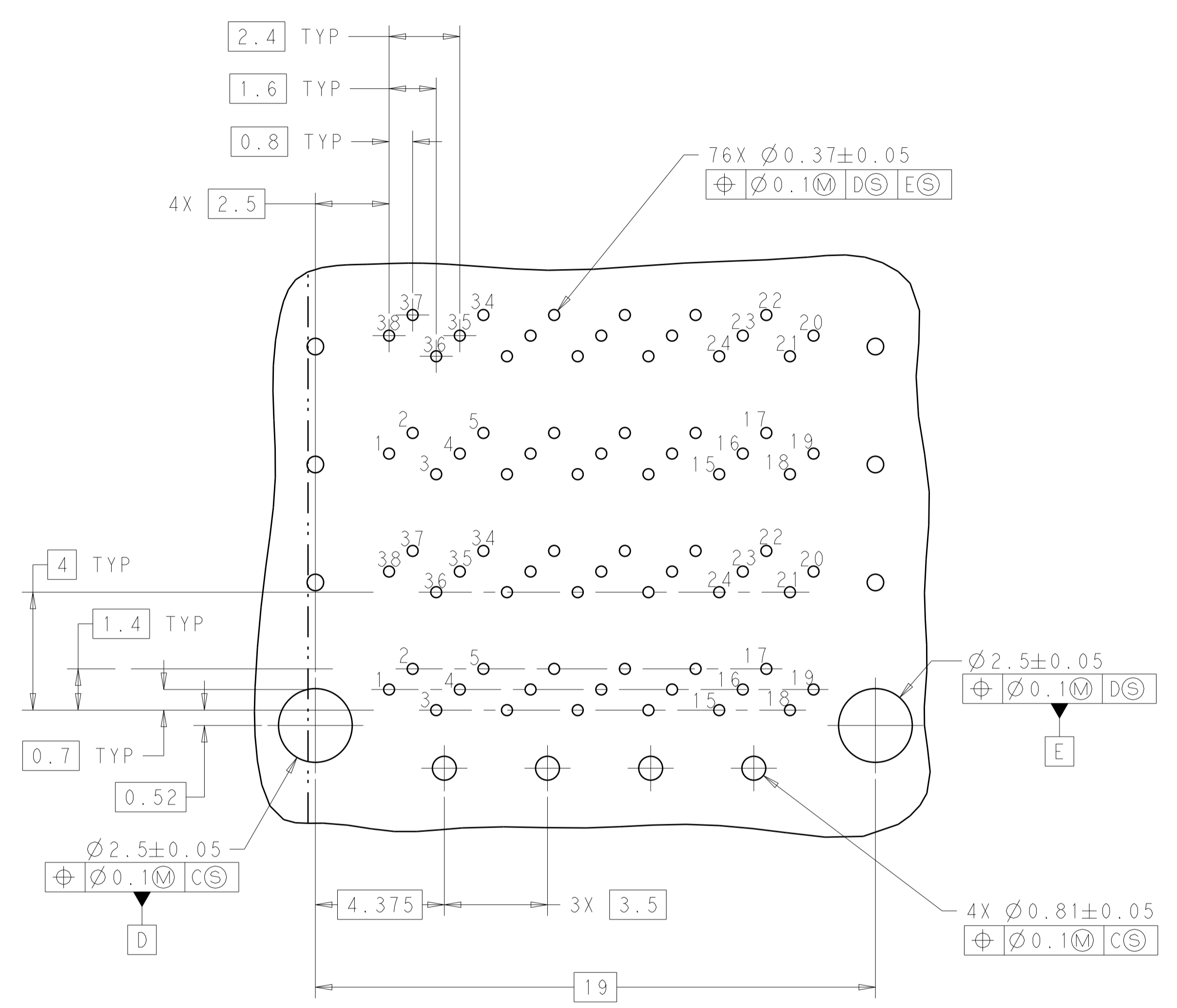
(0.81)
 HEIGHT OF LIGHT PIPE
 1.57 MIN
 PCB

THIS DRAWING IS A CONTROLLED DOCUMENT. DIMENSIONING AND TOLERANCING PER: ASME Y14.5M-2009		DWN: M. SHIRK 27FEB2012 CHK: D. SZCZESNY 27FEB2012 APVD: - NAME: CAGE AND CONNECTOR ASSEMBLY, WITH EMI GASKET, 2X3, ZQSFP+ STACKED	TE Connectivity
DIMENSIONS: mm TOLERANCES UNLESS OTHERWISE SPECIFIED: 0 PLC ± 1 PLC ±0.25 2 PLC ±0.15 3 PLC ± 4 PLC ± ANGLES ± FINISH: -	PRODUCT SPEC: 108-60102 APPLICATION SPEC: 114-60015 WEIGHT: - CUSTOMER DRAWING	SIZE: A1 CAGE CODE: 00779 DRAWING NO: 2214565 SCALE: 4:1 SHEET: 2 OF 4 REV: A	

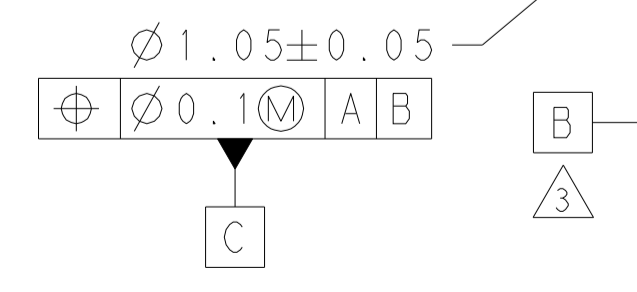
REVISONS		DATE	OWN	APVD
P. LTR	DESCRIPTION			
-	SEE SHEET 1	-	-	-



RECOMMENDED PC BOARD LAYOUT
 COMPONENT SIDE OF BOARD
 PCB TOLERANCE: ±0.05
 SCALE 5:1

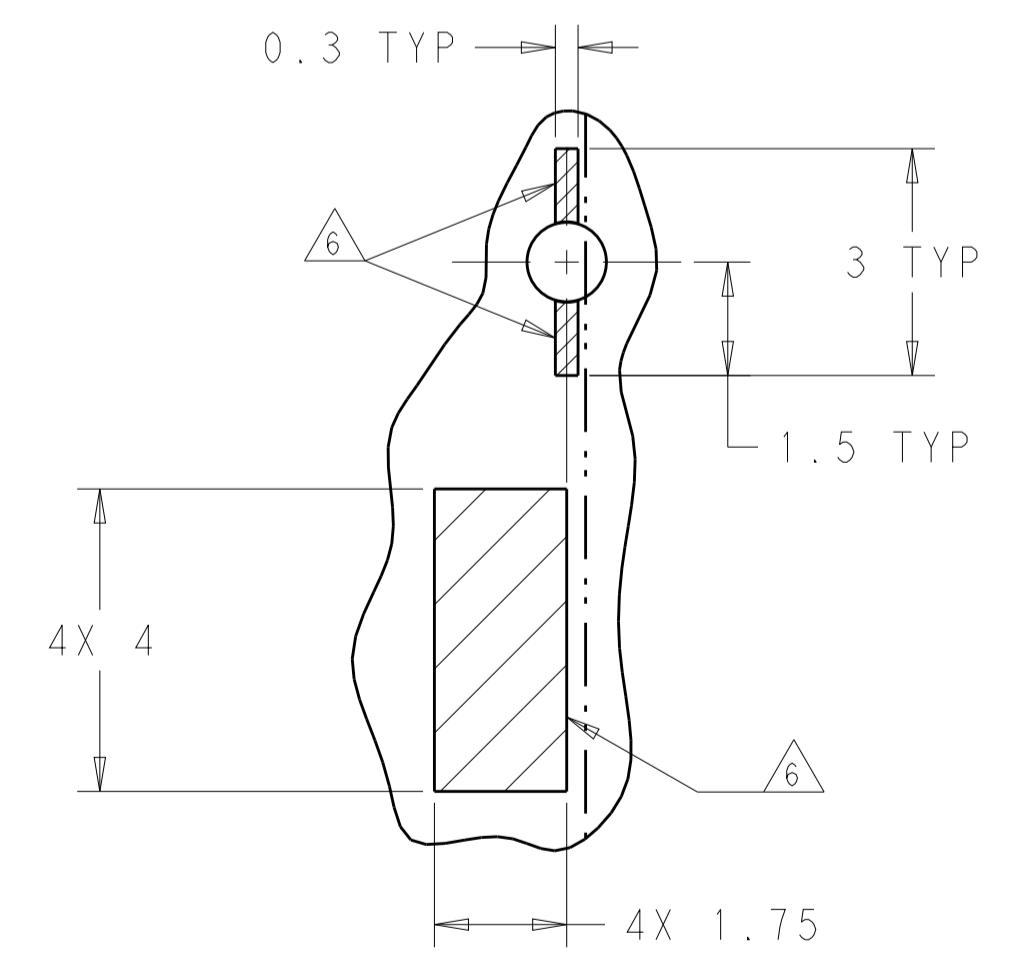
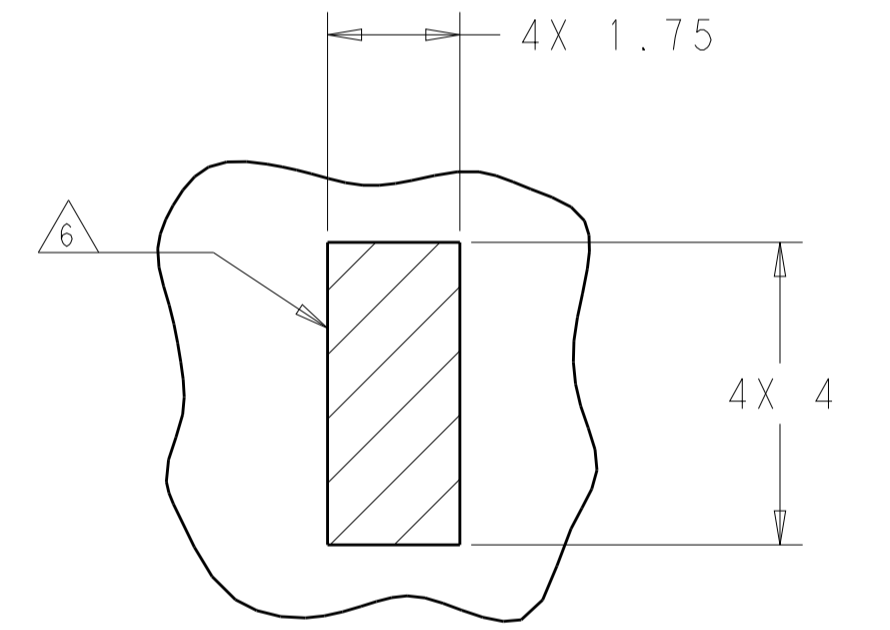
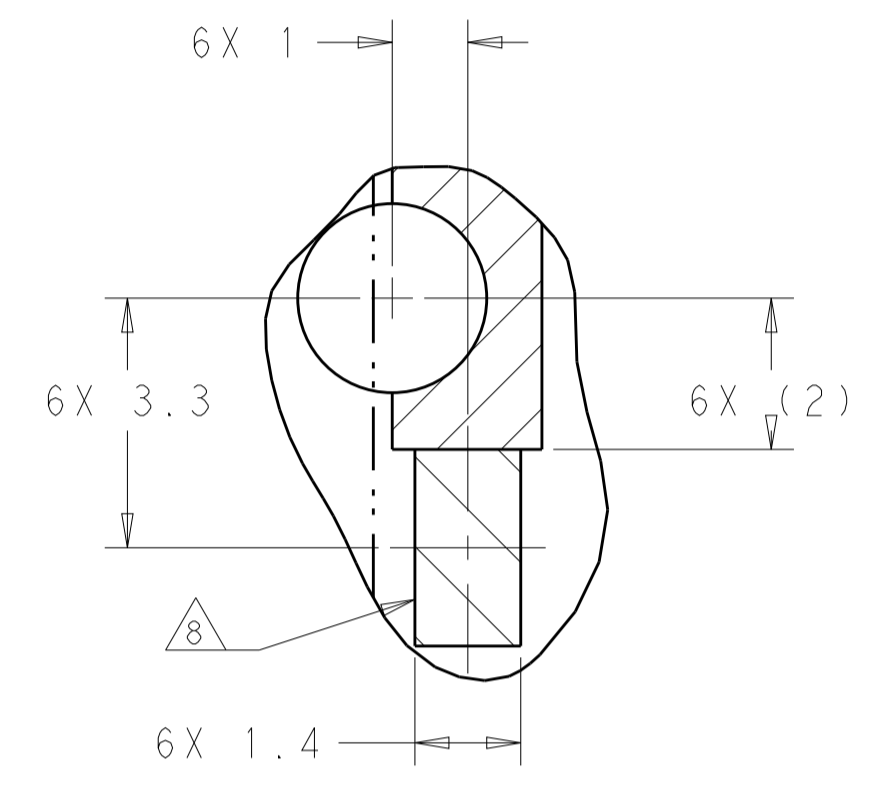
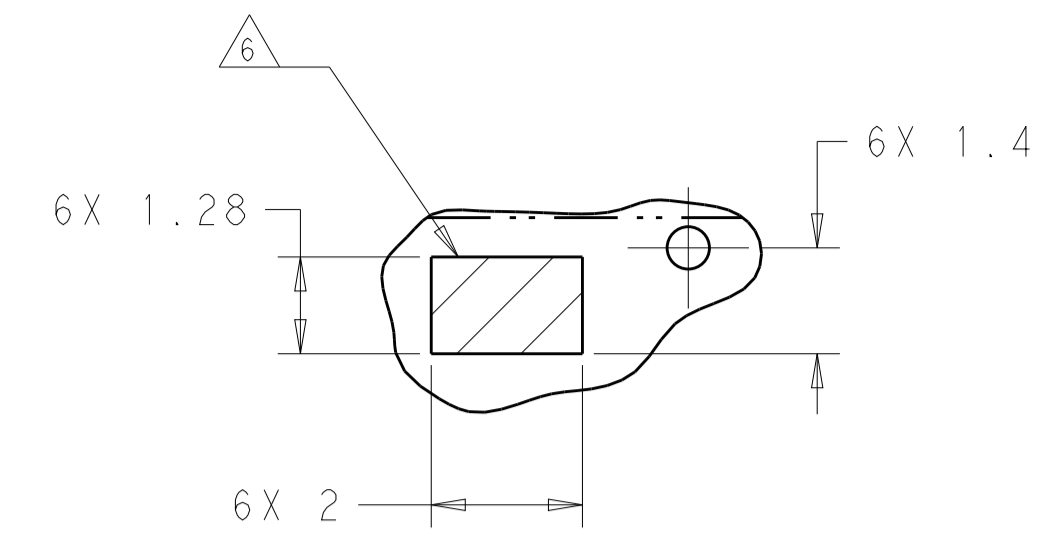
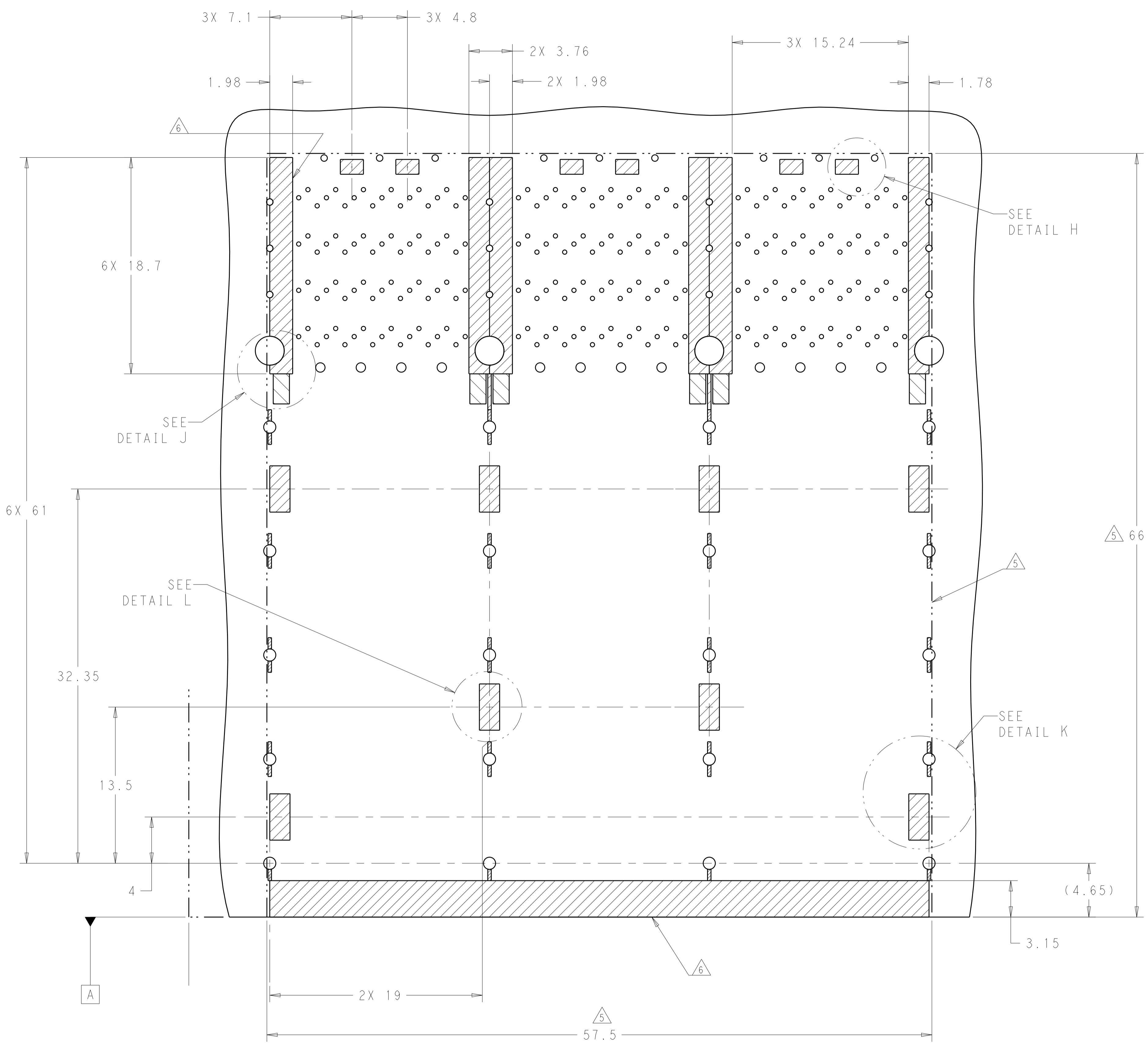


DETAIL G
 3X INDIVIDUALLY
 SCALE 8:1



THIS DRAWING IS A CONTROLLED DOCUMENT. DIMENSIONING AND TOLERANCING PER: ASME Y14.5M-2009		OWN: M. SHIRK 27FEB2012 CHK: D. SZCZESNY 27FEB2012	TE Connectivity	
DIMENSIONS: mm	TOLERANCES UNLESS OTHERWISE SPECIFIED:	APVD: -	NAME: CAGE AND CONNECTOR ASSEMBLY, WITH EMI GASKET, 2X3, ZQSFP+ STACKED	RESTRICTED TO: -
0 PLC ±	1 PLC ±0.25	PRODUCT SPEC: 108-60102	SIZE: A100779	CAGE CODE: 2214565
2 PLC ±0.15	3 PLC ±	APPLICATION SPEC: 114-60015	WEIGHT: -	SCALE: 4:1
4 PLC ±	ANGLES ±	FINISH: -	CUSTOMER DRAWING	SHEET 3 OF 4
MATERIAL: -	SEE NOTE 1	SEE NOTE 2	SCALE: 4:1	REV: A

LOC		DIST		REVISIONS			
P.	LTN.	DESCRIPTION	DATE	DWN.	APVD.		
-	-	SEE SHEET 1	-	-	-	-	-



KEEPOUT AREAS
COMPONENT SIDE OF BOARD
SCALE 5:1

THIS PRODUCT HAS NOT
COMPLETED VALIDATION AND
QUALIFICATION TESTING

THIS DRAWING IS A CONTROLLED DOCUMENT. DIMENSIONING AND TOLERANCING PER ASME Y14.5M-2009.		DWN: M. SHIRK 27FEB2012 CHK: D. SZCZESNY 27FEB2012	TE Connectivity	
DIMENSIONS: mm	TOLERANCES UNLESS OTHERWISE SPECIFIED:	APVD:	NAME:	CAGE AND CONNECTOR ASSEMBLY, WITH EMI GASKET, 2X3, ZQSP+ STACKED
0 PLC ±0.25	1 PLC ±0.15	PRODUCT SPEC:	SIZE:	108-60102
2 PLC ±0.15	3 PLC ±0.15	APPLICATION SPEC:	CAGE CODE:	114-60015
4 PLC ±0.15	ANGLES ±0.15	WEIGHT:	DRAWING NO:	A100779C=2214565
MATERIAL: SEE NOTE 1	FINISH: SEE NOTE 2	CUSTOMER DRAWING:	SCALE:	4:1
			SHEET:	4 OF 4
			REV:	A