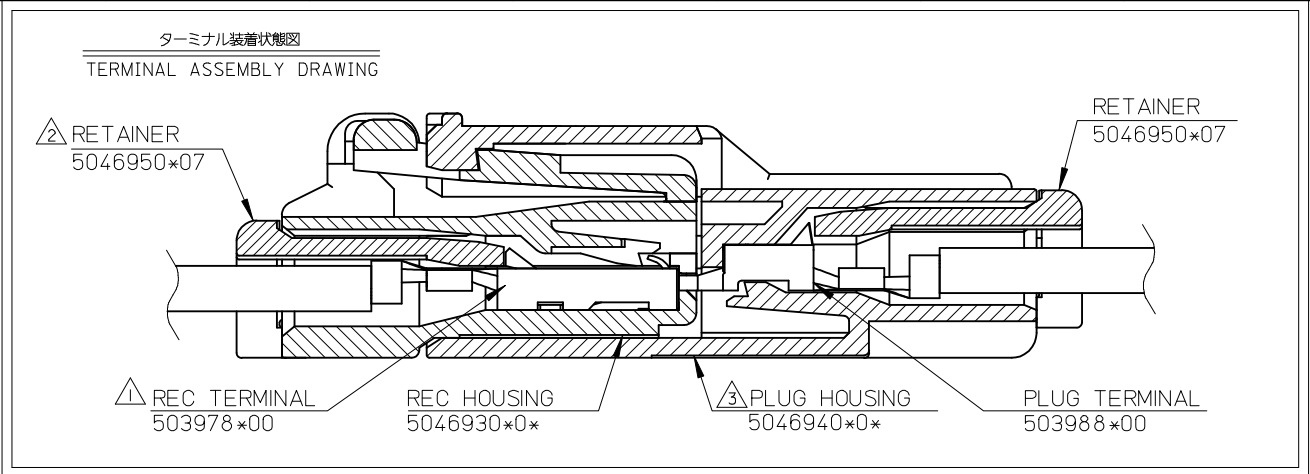
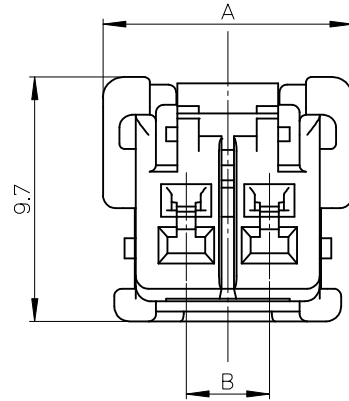
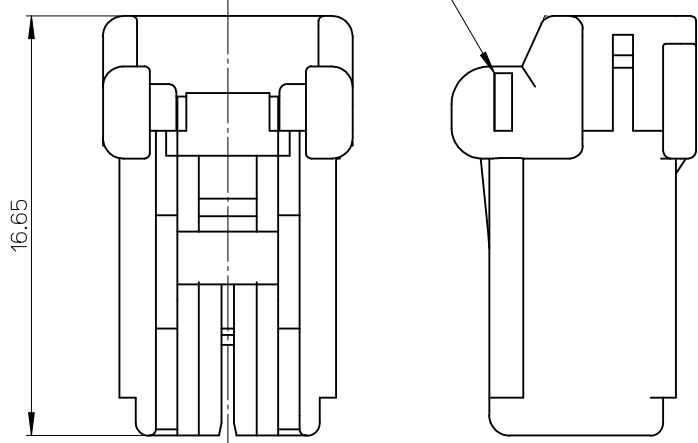


回路番号1マーク
CKT. NO.1 MARK



注記
NOTES

- ① 適合ターミナル：50397 シリーズ
APPLICABLE TERMINAL：50397 SERIES
- ② 適合リテーナー：504695 シリーズ
APPLICABLE RETAINER：504695 SERIES
- ③ 嵌合相手：504694 シリーズ
MATE WITH：504694 SERIES
- 4. 材質：PBT (UL94V-0)
MATERIAL：PBT(UL94V-0)

5. MATERIAL NO. は以下の内容を示す。
MATERIAL NO. :

504693 **0*

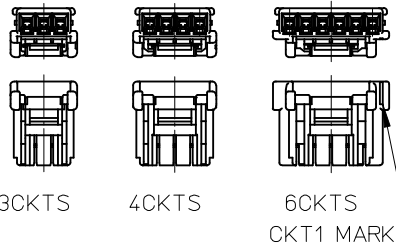
| | |
|-----------|----------------|
| 極数 CKT | 色 COLOR |
| 0 | 自然色 NATURAL |
| 1 | 黒 BLACK |
| 2 | 赤 RED |
| 3 | 黄 YELLOW |
| 4 | 青 BLUE |
| 5 | 桃 PINK |
| 6 | 緑 GREEN |
| 8 | 橙 ORANGE |
| 9 | 紫 VIOLET |

6. コネクタの取扱いについては、AS-504693-001/002を参照。
PLEASE REFER TO AS-504693-001/002.

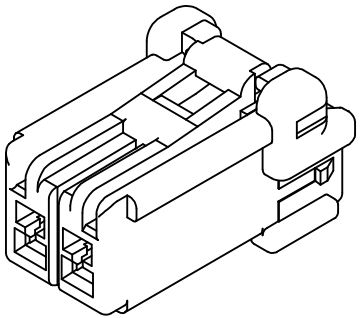
| | | | | |
|------|------|------|--------------|-------------|
| 16.5 | 23.1 | 6 | 504693060* | 504693-0*0* |
| 9.9 | 16.5 | 4 | 504693040* | |
| 6.6 | 13.2 | 3 | 504693030* | |
| 3.3 | 9.9 | 2 | 504693020* | |
| (B) | A | CKT. | MATERIAL NO. | MODEL NO. |

| | | | | | | | | |
|---|---------------------------------------|-----------|---|----------------------------|--------------------|---------------------------------------|------------------------|------------------------|
| REVISED EC NO.: J2015-0993 DRW:NITTO 2015/01/29 CHKD:KASAKAWA 2015/02/10 APPR:NUKITA 2015/02/12 | GENERAL TOLERANCES (UNLESS SPECIFIED) | | | DIMENSION STYLE MM ONLY | | SCALE 5:1 | DESIGN UNITS METRIC | THIRD ANGLE PROJECTION |
| | 0.25 UNDER | UNDER | ±0.03 | DRAWN BY MIKEDA01 | DATE 2013/09/06 | TITLE 3.3 W/W CONN. REC HOUSING | | |
| | 0.25 OVER | 0.5 UNDER | ±0.05 | CHECKED BY KASAKAWA | DATE 2013/11/28 | | | |
| | 0.5 OVER | 1.0 UNDER | ±0.1 | APPROVED BY NUKITA | DATE 2013/12/03 | | | |
| | 1.0 OVER | 10 UNDER | ±0.2 | MATERIAL NO. | DOCUMENT NO. | SHEET NO. | | |
| 10 OVER | 30 UNDER | ±0.25 | SEE CHART | | SD-504693-001 | | 1 OF 2 | |
| 30 OVER | | ±0.3 | THIS DRAWING CONTAINS INFORMATION THAT IS PROPRIETARY TO MOLEX INCORPORATED AND SHOULD NOT BE USED WITHOUT WRITTEN PERMISSION | | | | | |
| ANGULAR ±1 ° | | | DRAFT WHERE APPLICABLE MUST REMAIN WITHIN DIMENSIONS | | | | | |

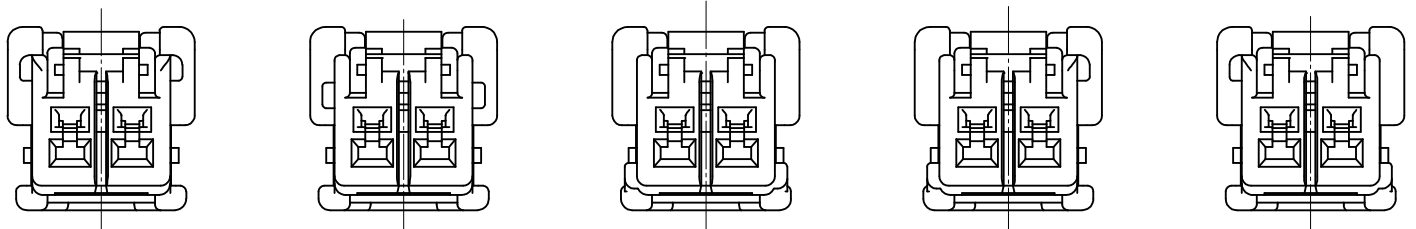
10 9 8 7 6 5 4 3 2 1



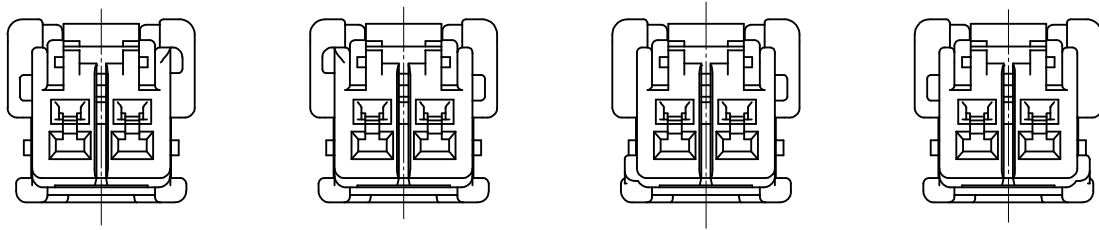
VIEW OF 3,4,6CKTS
(SCALE 1:1)



ISOMETRIC VIEW
(SCALE 4:1)



KEY TYPE:1 COLOR:NATURAL MATERIAL NO.:5046930200
 KEY TYPE:2 COLOR:BLACK MATERIAL NO.:5046930201
 KEY TYPE:3 COLOR:RED MATERIAL NO.5046930202
 KEY TYPE:4 COLOR:YELLOW MATERIAL NO.:5046930203
 KEY TYPE:5 COLOR:BLUE MATERIAL NO.:5046930204



KEY TYPE:6 COLOR:PINK MATERIAL NO.:5046930205
 KEY TYPE:7 COLOR:GREEN MATERIAL NO.:5046930206
 KEY TYPE:8 COLOR:ORANGE MATERIAL NO.:5046930208
 KEY TYPE:9 COLOR:VIOLET MATERIAL NO.:5046930209

MATING
KEY TYPE & COLOR
REFERENCE 2 CKTS

| | | | | | | | | | | | | |
|------------|----------------------|------|------------|------------|------------|------------|------------|------------|------------|------------|------------|------------|
| 504694060* | 5046950607 | 6 | | | | | | 5046930604 | 5046930603 | 5046930602 | 5046930601 | 5046930600 |
| 504694040* | 5046950407 | 4 | | | | | | 5046930404 | 5046930403 | 5046930402 | 5046930401 | 5046930400 |
| 504694030* | 5046950307 | 3 | | | | | | | | | 5046930301 | 5046930300 |
| 504694020* | 5046950207 | 2 | 5046930209 | 5046930208 | 5046930206 | 5046930205 | 5046930204 | 5046930203 | 5046930202 | 5046930201 | 5046930200 | |
| MATE WITH | COMFORTABLE-RETAINER | CKT. | VIOLET | ORANGE | GREEN | PINK | BLUE | YELLOW | RED | BLACK | NATURAL | |

MATERIAL NO.

| | | | | | | | |
|---|---------------------------------------|-----------|--|------------------------|---|---------------------------------------|------------------------|
| REVISED EC NO.: J2015-0993 DRWN: NITO CHKD: KASAKAWA APPR: NUKITA | GENERAL TOLERANCES (UNLESS SPECIFIED) | | DIMENSION STYLE MM ONLY | | SCALE 5:1 | DESIGN UNITS METRIC | THIRD ANGLE PROJECTION |
| | 0.25 UNDER | UNDER | ±0.03 | DRAWN BY MIKEDA01 | DATE 2013/09/06 | TITLE 3.3 W/W CONN. REC HOUSING | |
| | 0.25 OVER | 0.5 UNDER | ±0.05 | CHECKED BY KASAKAWA | DATE 2013/11/28 | | |
| | 0.5 OVER | 1.0 UNDER | ±0.1 | APPROVED BY NUKITA | DATE 2013/12/03 | | |
| | 1.0 OVER | 10 UNDER | ±0.2 | MATERIAL NO. | | DOCUMENT NO. SD-504693-001 | SHEET NO. 2 OF 2 |
| 10 OVER | 30 UNDER | ±0.25 | DRAFT WHERE APPLICABLE MUST REMAIN WITHIN DIMENSIONS | | | | |
| 30 OVER | | ±0.3 | SIZE A3 | | THIS DRAWING CONTAINS INFORMATION THAT IS PROPRIETARY TO MOLEX INCORPORATED AND SHOULD NOT BE USED WITHOUT WRITTEN PERMISSION | | |

9 8 7 6 5 4 3 2 1