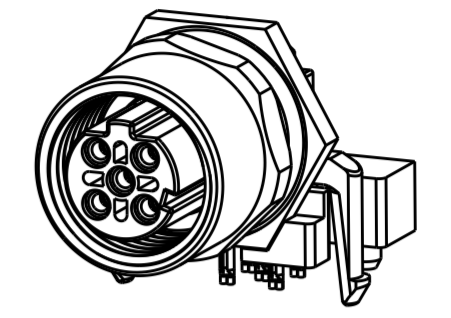
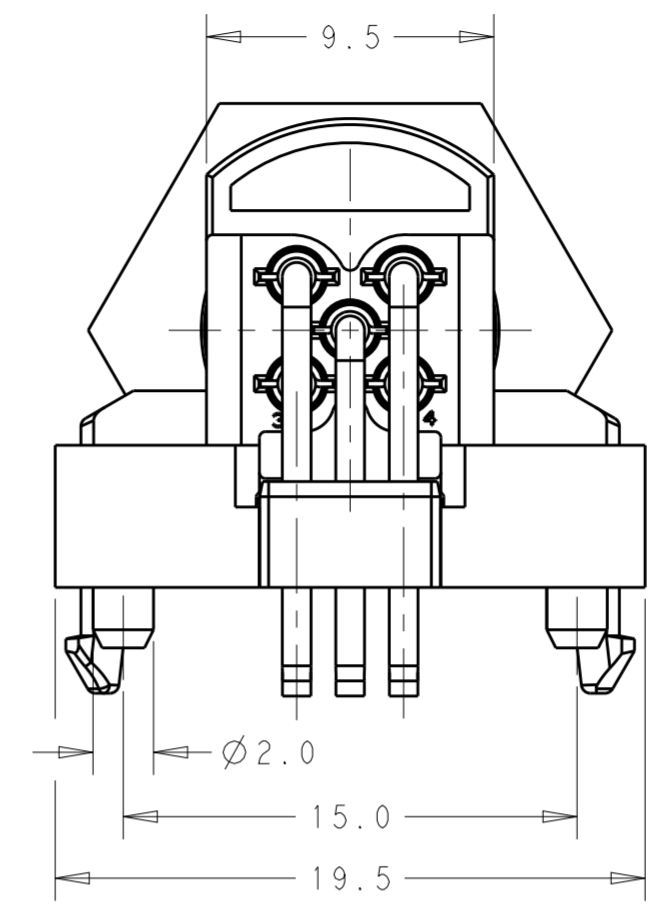
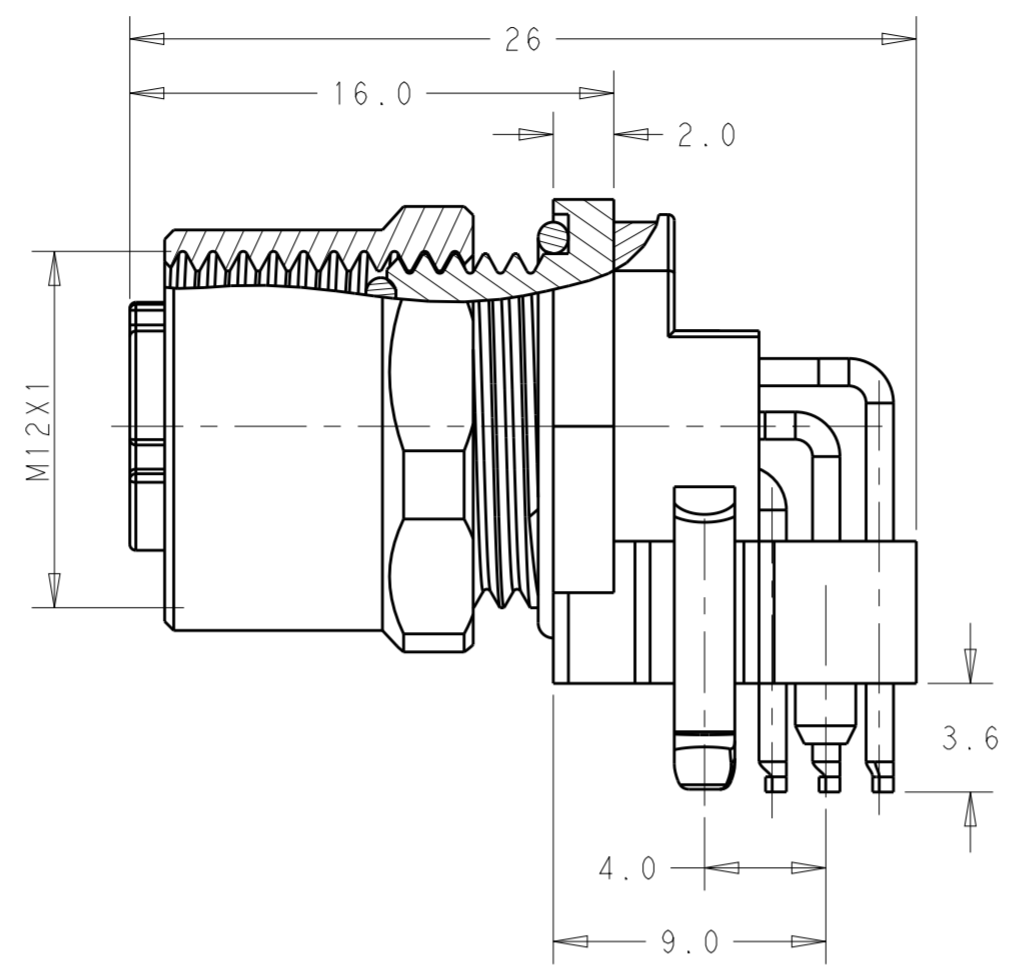
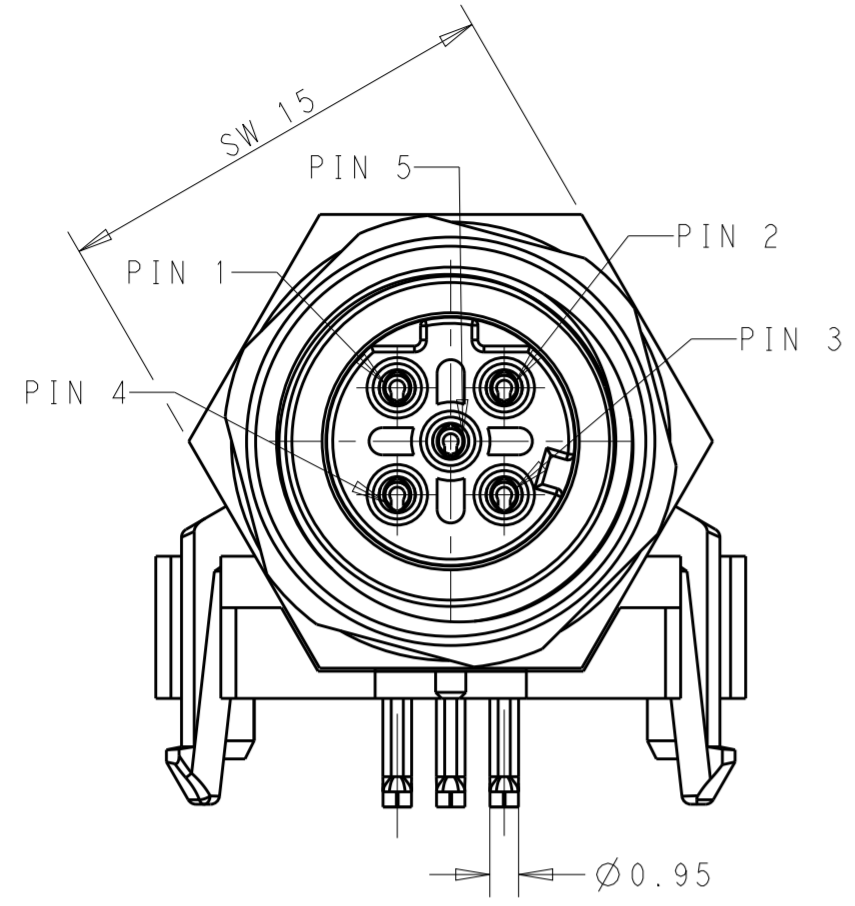


THIS DRAWING IS UNPUBLISHED. RELEASED FOR PUBLICATION 20
 © COPYRIGHT 20 BY - ALL RIGHTS RESERVED.

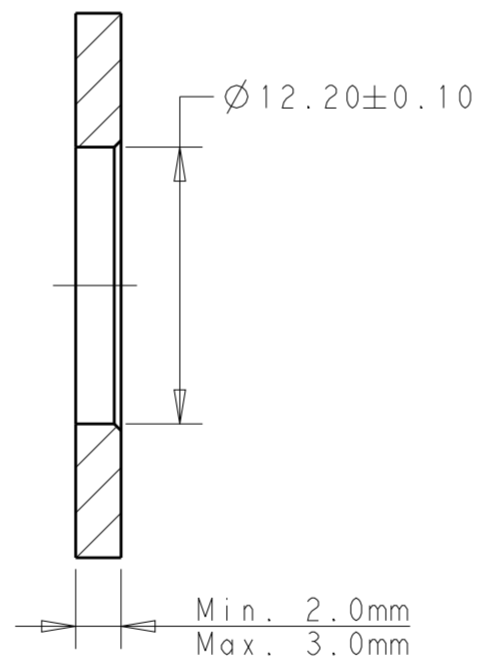
REVISIONS				
P	LTR	DESCRIPTION	DATE	DWN APVD
	A	INITIAL RELEASE	27OCT2016	N.P X.X



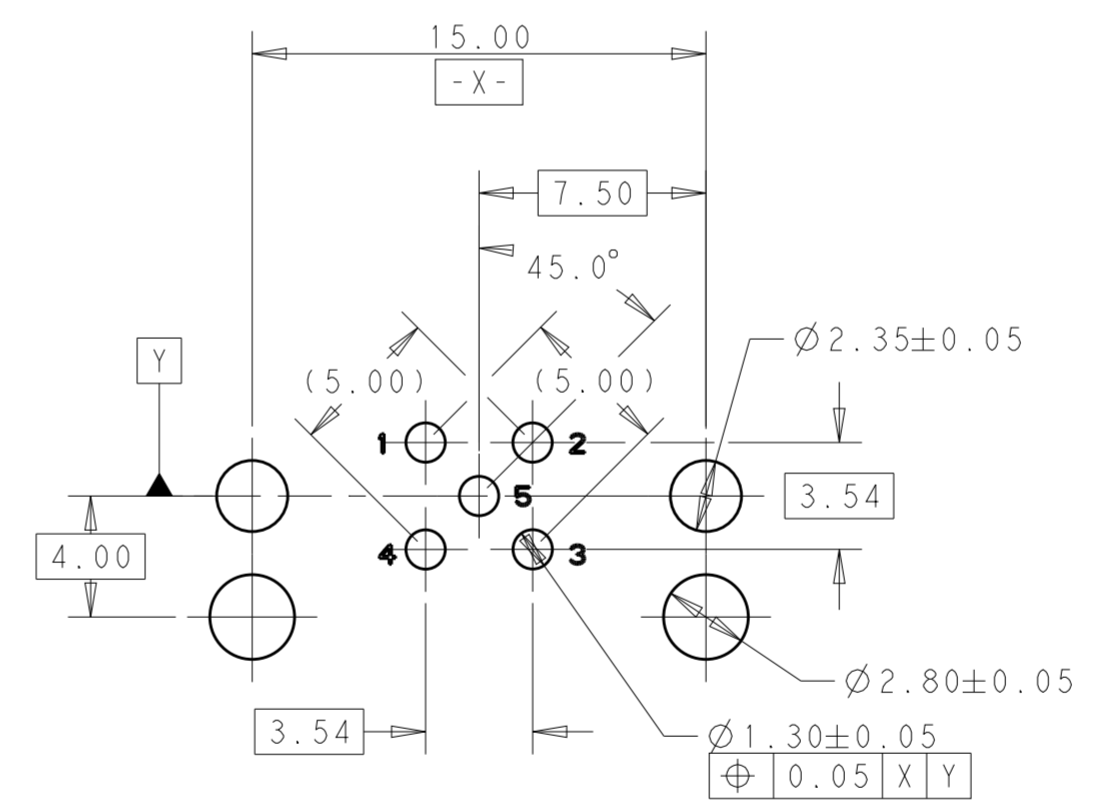
- NOTES:
1. TECHNICAL DATA: SEE TABLE 1
 2. PIN ARRANGEMENT: SEE TABLE 2
 3. RECOMMEND TORQUE 0.6Nm
 4. ALL PRODUCT MUST COMPLIANCE WITH ROHS AND REACH.

TABLE 1

TECHNICAL DATA	T4145515021-001	T4145515031-001	T4145515041-001	T4145515051-001
RATED VOLTAGE	250V	250V	250V	60V
TATED IMPULSE VOLTAGE	2500V	2500V	2500V	1500V
RATED CURRENT	4A	4A	4A	4A
POLLUTION DEGREE	3	3	3	3
OVERVOLTAGE CATEGORY	II	II	II	II
MATERIAL GROUP	II	II	II	II
CONTACT RESISTANCE	≤5mΩ	≤5mΩ	≤5mΩ	≤5mΩ
INSULATION RESISTANCE	>100MΩ	>100MΩ	>100MΩ	>100MΩ
DEGREE OF PROTECTION	IP67	IP67	IP67	IP67
OPERATION TEMPERATURE	-40~85°C	-40~85°C	-40~85°C	-40~85°C



RECOMMENDED PANEL SIZE



RECOMMENDED PCB LAYOUT
PCB THICKNESS: 1.6mm

- 注意事项
1. 技术参数：见表1
 2. PIN 针排布见表2；
 3. 推荐扭矩0.6Nm；
 4. 产品必须符合ROHS与REACH.

TABLE 2

PIN ARRANGEMENT
D-CODE

T4145515021-001	T4145515031-001	T4145515041-001	T4145515051-001

	MATERIAL	DESCRIPTION	ITEM
	PA66	SPACER	7
-	COPPER ALLOY	NUT	6
-	PRUBBER	O-RING	5
-	COPPER ALLOY	COUPLING NUT	4
	RUBBER	O-RING	3
BALCK COLOR	PA66	HOUSING	2
GOLD FLASH	COPPER ALLOY	CONTACT	1

TYPE	POS.	PART NUMBER
RPC-M12D-FF-5CON-M12-LP1	5	T4145515051-001
RPC-M12D-FF-4CON-M12-LP1	4	T4145515041-001
RPC-M12D-FF-3CON-M12-LP1	3	T4145515031-001
RPC-M12D-FF-2CON-M12-LP1	2	T4145515021-001

THIS DRAWING IS A CONTROLLED DOCUMENT.

DWN Nick Pan 23AUG2016
 CHK Kobby Zhao 23AUG2016
 APVD Xiang Xu 23AUG2016

DIMENSIONS: mm

TOLERANCES UNLESS OTHERWISE SPECIFIED:

0 PLC	±
1 PLC	±0.25
2 PLC	±0.10
3 PLC	±
4 PLC	±
ANGLES	±
FINISH	-

MATERIAL TBD
finish_spec_2

PRODUCT SPEC 108-106140
APPLICATION SPEC -
WEIGHT -
CUSTOMER DRAWING

STE TE Connectivity

NAME M12 RECEPTACLE CONNECTOR PCB ASSEMBLY, ANGLED, UNSHIELDED, D-CODE

SIZE A2	CAGE CODE -	DRAWING NO. ©-T41455150X1001	RESTRICTED TO -
SCALE 5:1	SHEET 1 OF 1	REV A	