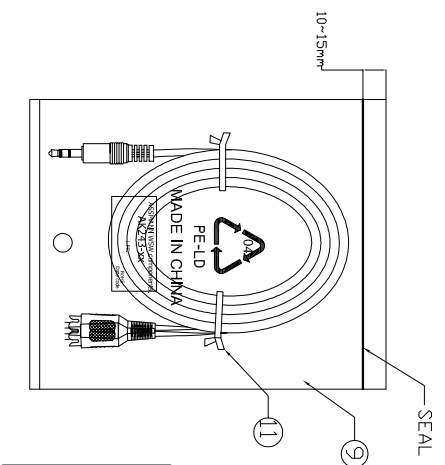


WSW P/N	Length	⑨ PE BAG	⑩ PE BAG
AK243-2	2000±30	130*230*0.05mm	280*330*0.05mm
AK243-10	10000±100	210*250*0.05mm	360*380*0.05mm
AK243-015	1500±50	130*230*0.05mm	280*330*0.05mm
AK243-025	2500±50	130*230*0.05mm	280*330*0.05mm
AK243-050	5000±50	150*280*0.05mm	280*330*0.05mm

- Electrical test:
1. 100% short, open, miswire test
 2. Conduct resistance: 5 Ohm(max)
 3. Insulation resistance: 5Mohm(min)
 4. dielectric test: DC 300V



PIN ASSIGNMENT:

P1	P2	P3	COLOR
1	1	1	RED
2	1	1	WHITE
3	2	2	DRAIN(RED)
			DRAIN(WHITE)

NO.	NAME	QTY	SPECIFICATION
①	TIE	2	BLACK
⑩	PE BAG	1/10	CLEAR PRINT BLACK*MADE IN CHINA*~*10PCS*
⑨	PE BAG	1	CLEAR PRINT BLACK*MADE IN CHINA*~*1PC*
⑧	TUBE	3	HEAT SHRINK TUBE BLACK OD1.5*10mm
⑦	S/R	1.5g	BLACK PVC 40P (Mould NO.:SR-048)
⑥	IN JACKET	0.8g	CLEAR LD-PE (Mould NO.:NM-006)
⑤	OUT JACKET	3.3g	PVC-40P RED(RD-35). (Mould NO.WM-009)
④	IN JACKET	0.8g	CLEAR LD-PE (Mould NO.:NM-006)
③	OUT JACKET	3.3g	PVC-40P WHITE(W-100)(Mould NO.WM-009)
②	CABLE	1	NOUL [(10/0.10)+S(28/0.10)]*2F JACKET BLACK OD2.8*5.6mm
①	CONN	2	RCA PLUG MALE BLOSSOM TYPE NI-PLATED INSULATOR COLOR:BROWN
①	CONN	1	3.5ST MALE Tray6.0mm L=26mm MOLD TYPE NI-PLATED INSULATOR COLOR:BLACK

RoHS compliant
Unit: mm

Scale	Free	Date	Name	Customer-No.
TOLERANCE		Drawn	Amy	ASSMANN WSW-No.
		Approved	Amy	AK243-XX
DIM	TOL			Drawing-No.
				ASS 7856 CA
Angle	TOL	① Drawn	Amy	Replace
				rev00
				Sheet

ASSMANN
WSW components

1	2	3	4	5	6	7
1	2	3	4	5	6	7
H	G	F	E	D	C	B
H	G	F	E	D	C	B