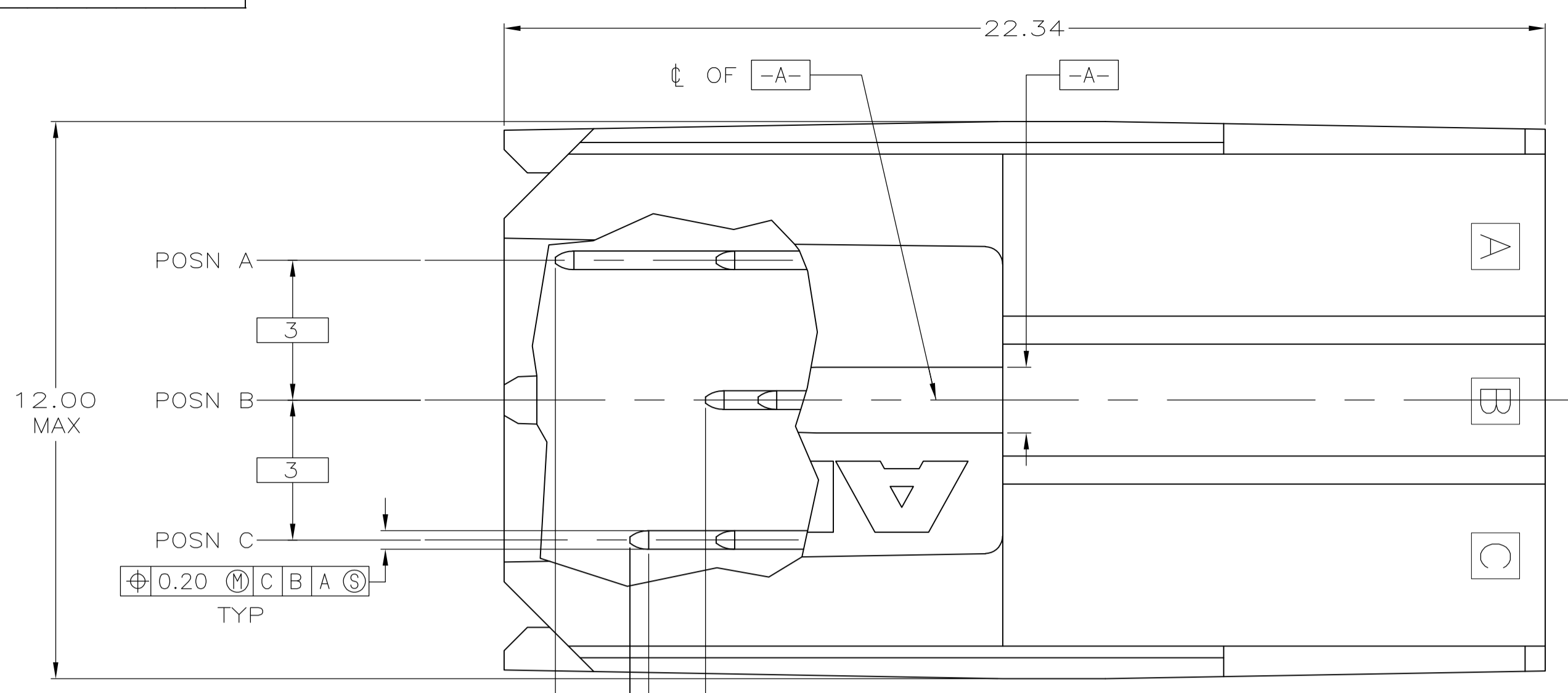
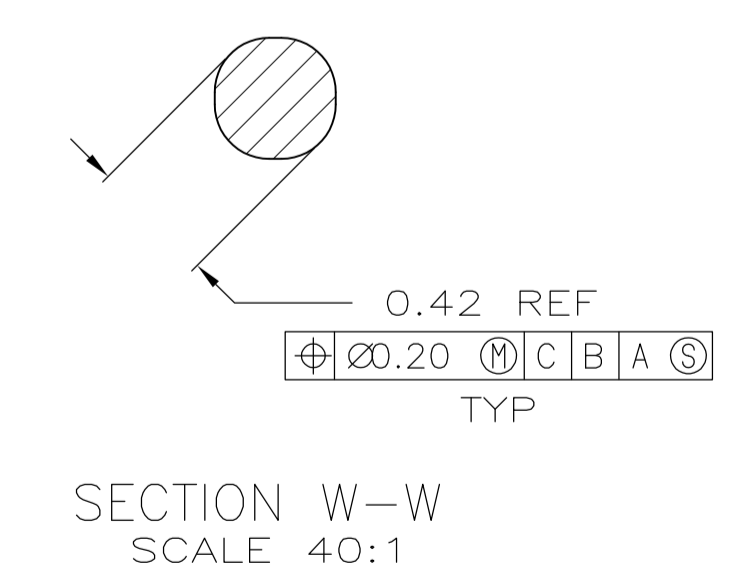
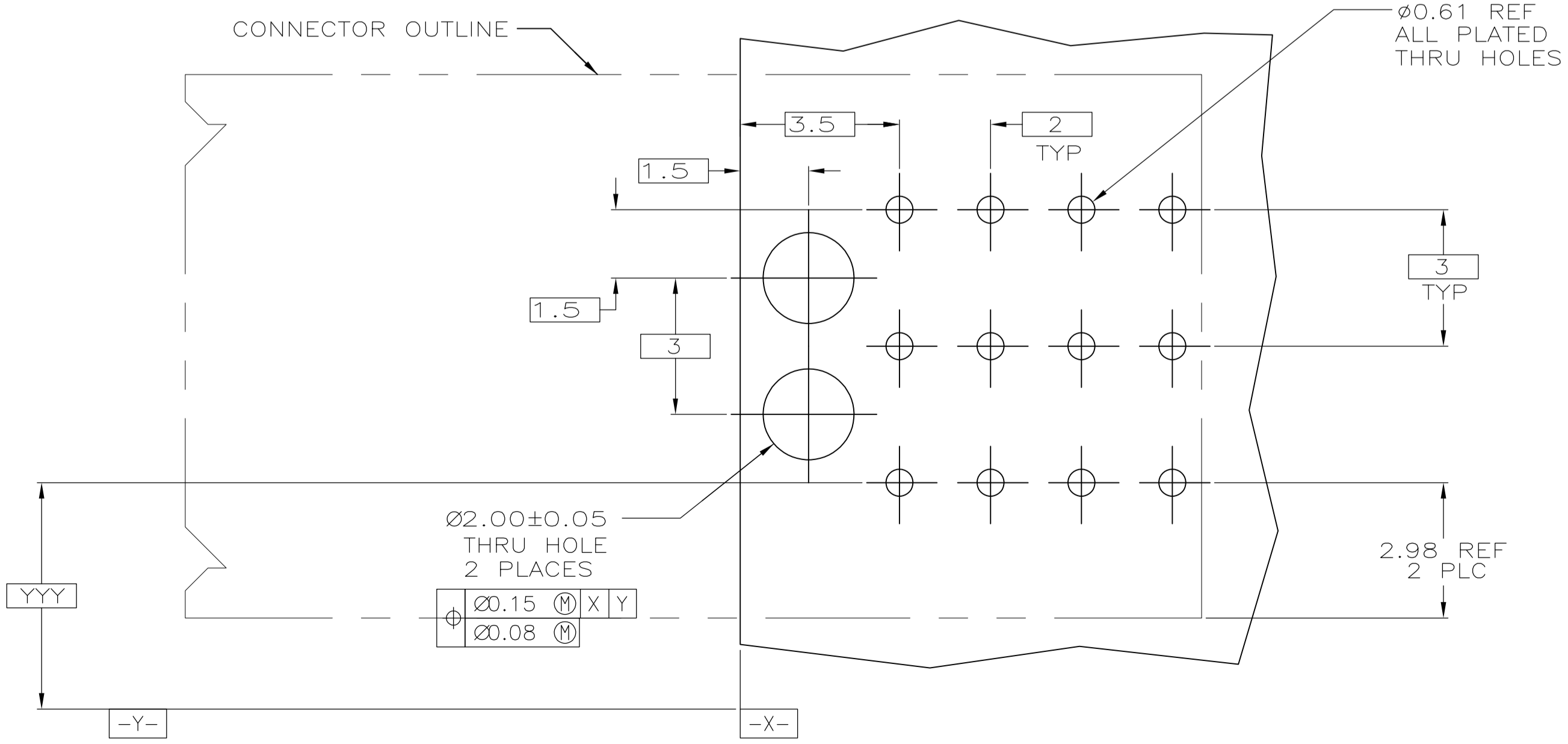
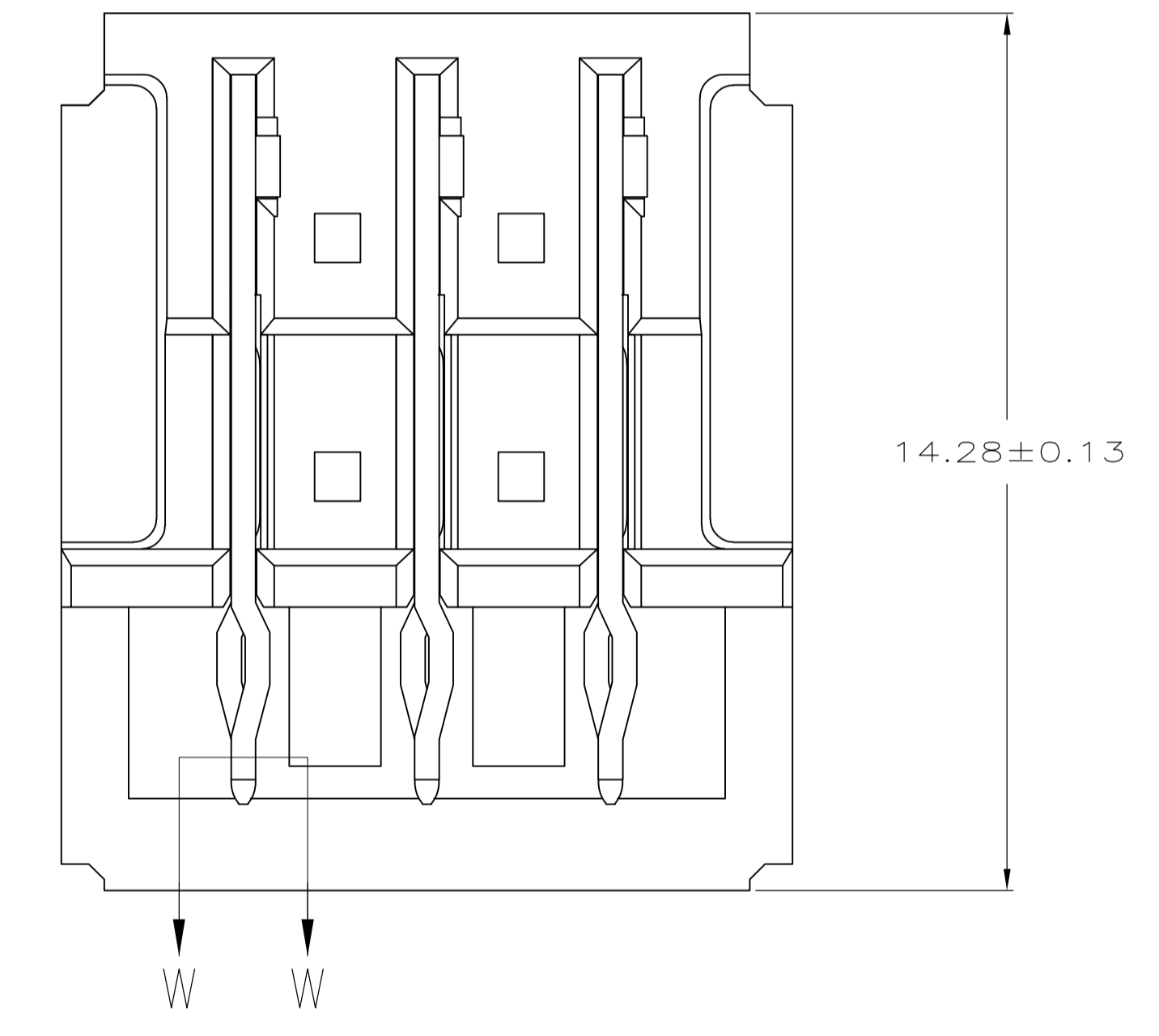
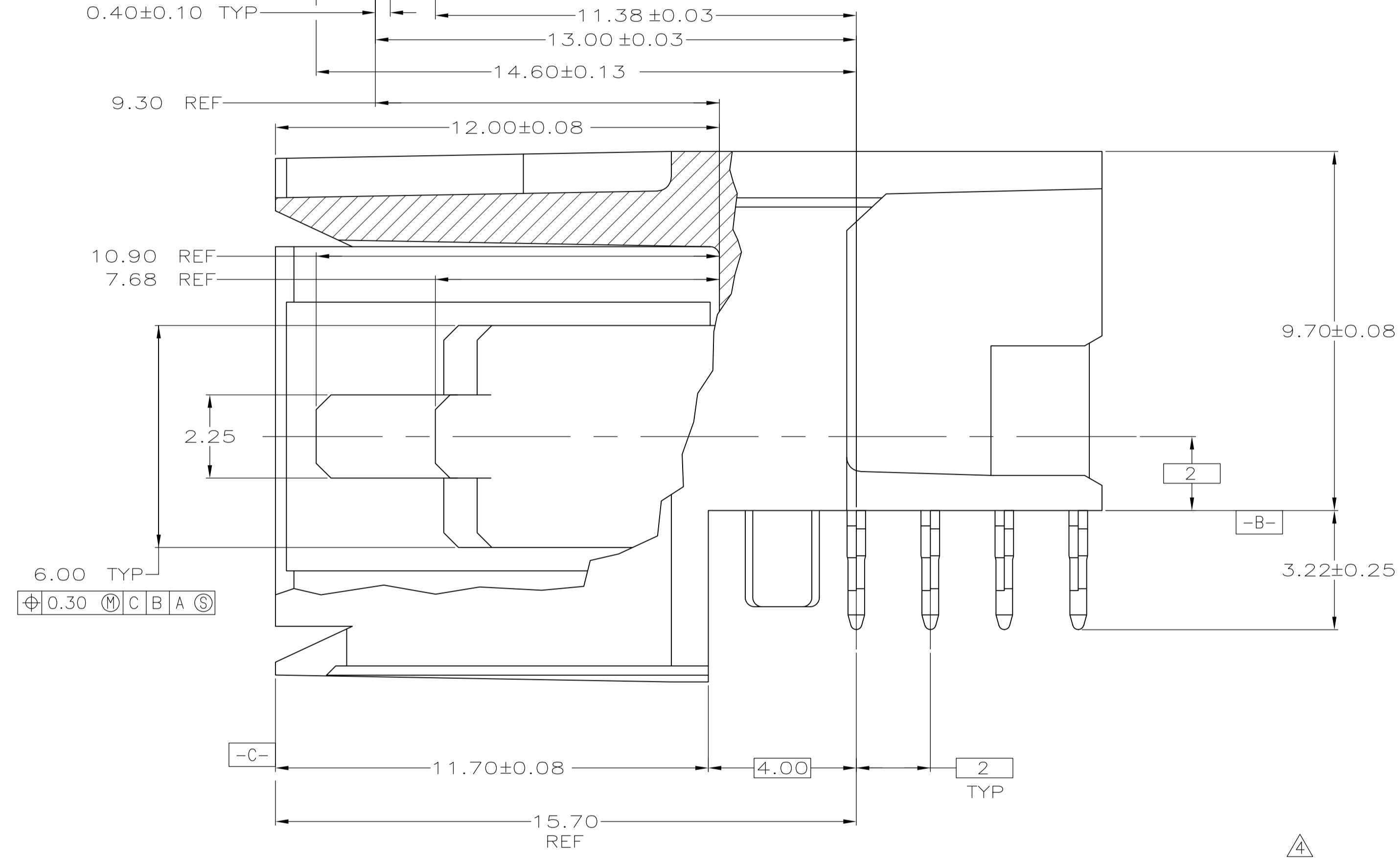
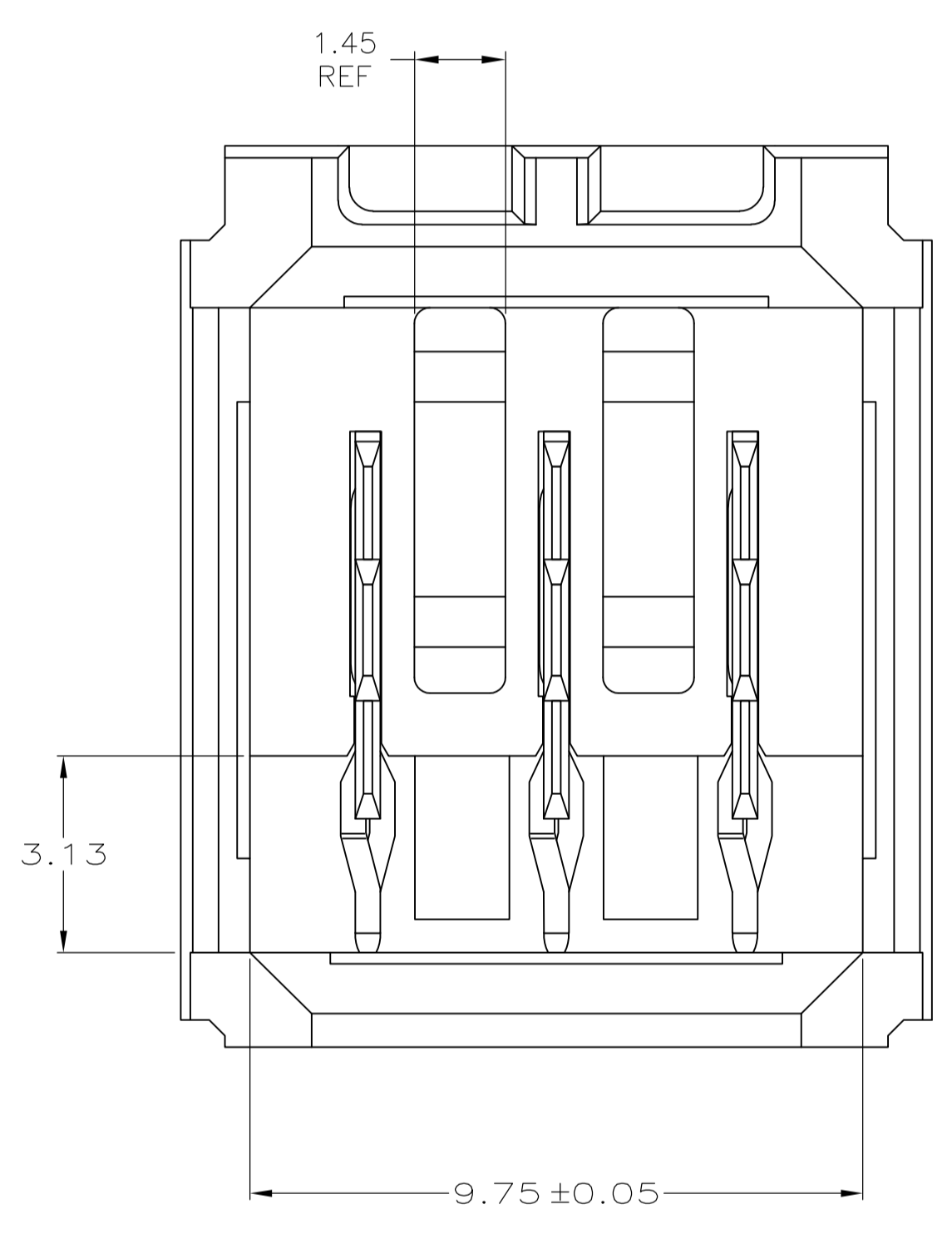


LOC		DIST		REVISIONS			
AD	00	F	LTR	DESCRIPTION	DATE	DWN	APVD
C				REVISED PER ECO-11-000045	05JAN11	DH	DY



- 1 MATERIAL: HOUSING: POLYESTER. COLOR: GRAY. UL 94V-0.  
CONTACT: PHOSPHOR BRONZE.
- 2 FINISH: CONTACT MATING AREA: 1.27 $\mu$ m MIN GOLD OR 0.08 $\mu$ m MIN GOLD OVER 0.76 $\mu$ m MIN PALLADIUM-NICKEL.  
ACTION PIN AREA: 0.5 $\mu$ m MIN TIN PLATE, ALL OVER 1.27 $\mu$ m MIN NICKEL UNDERPLATE.
- 3 FINISH: CONTACT LUBRICATION WITH BELLCORE APPROVED LUBRICANT. TECHNICAL REFERENCE: TR-NWT-001217 ISSUE 1, SEPT 1992.
- 4 REFERENCE APPLICATION SPEC 114-1103 FOR RECOMMENDED PLATED THRU HOLE DIAMETER AND PLATING THICKNESS.
- 5 CURRENT RATING 10A/CONTACT PER PRODUCT SPEC 108-1651.



RECOMMENDED PCB HOLE LAYOUT

5223971-1  
PART NUMBER

THIS DRAWING IS A CONTROLLED DOCUMENT.		DIN B CARDO 130EC04	Tyco Electronics Corporation Harrisburg, PA 17105-3608
DIMENSIONS: mm		CHK R PATTERSON 130EC04	
TOLERANCES UNLESS OTHERWISE SPECIFIED:		NAME R PATTERSON 130EC04	ASSEMBLY, RIGHT ANGLE HEADER, W/ RETENTION PEGS, UNIVERSAL POWER MODULE
0 PLC $\pm$ -		PRODUCT SPEC	SIZE CASE CODE DRAWING NO
1 PLC $\pm$ -		APPLICATION SPEC	RESTRICTED TO
2 PLC $\pm$ 0.13		WEIGHT	A1 00779 C=5223971
3 PLC $\pm$ -		CUSTOMER DRAWING	SCALE 10:1 SHEET 1 OF 1 REV C
4 PLC $\pm$ -			
ANGLES $\pm$ -			