

1

2

3

4

A

B

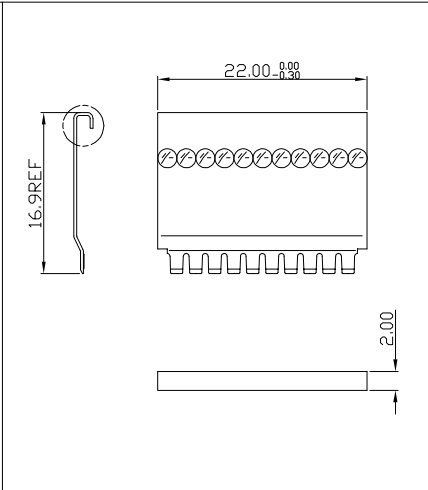
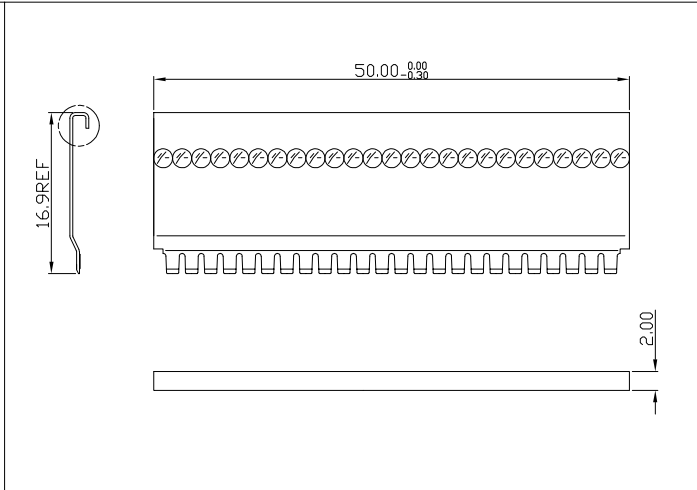
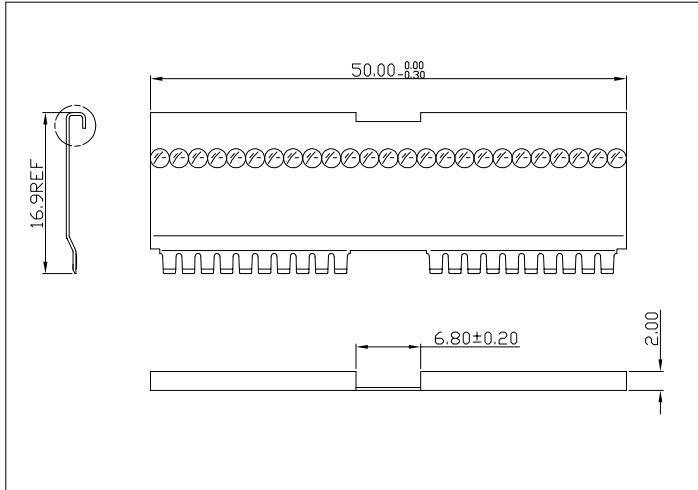
C

D

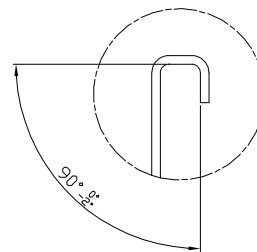
HM2SC22A8LF

HM2SC25A8LF

HM2SC11A8LF



DETAIL



NOTES:

1. MAKE SURE TO USE THE ACCORDING SHIELDING COVER FOR THE FEMALE CONNECTORS:
 HM2SC22A8LF FOR TYPE D (8+2 ROW CONN.)
 HM2SC25A8LF FOR TYPE E (8+2 ROW CONN.)
 HM2SC11A8LF FOR TYPE F (8+2 ROW CONN.)
2. PCB RANGE : 1.4 - 2.7 mm MAX.
3. THIS PRODUCT (LF) MEETS EUROPEAN UNION DIRECTIVES AND OTHER COUNTRY REGULATIONS AS DESCRIBED IN GS-22-008

| | | | | | | | |
|--|--------|--------------------|----------------|-----------|--|------------------|--------------|
| | | www.fciconnect.com | | ✓ | tolerance 1DEC ±0.2 1DEC 2DEC ±0.1 2DEC ANGLES ±1° HOEKEN | projection | MM ← → |
| Dr | M.Fret | 07-04-98 | Product family | MILLIPICS | size | A4 | Scale 2/1 |
| Eng | | | Spec ref | | ECN | | |
| Chr | | | Material | | | | |
| Appr | | | | | | | |
| title MPACS 8+2R RA RCP SHIELDING COVER | | | | | dwg no | BS,C ,201578,007 | |
| catalog no | | | | | HM2SC--A8LF | CUMSTOMER | sheet 1 of 1 |
| | | | | | | Rev. | D |

| rev | ecn no | dr | date |
|-----|-------------------|-------|----------|
| A | CONVERSION REV 04 | KN | 24-09-01 |
| B | B10074 | MF | 24-10-01 |
| C | EC B30061 | MF | 27-03-03 |
| D | DG05-0381 | Kason | 10-10-05 |

Tous droits strictement reserves. Reproduction ou communication a des tiers interdite sous quelque forme que ce soit sans autorisation echrite du proprietaire. Propriete de c FCI. Droits de reproduction FCI.



All rights strictly reserved. Reproduction or issue to third parties in any form whatever is not permitted without written authority from the proprietor. Property of FCI. Copyright FCI.

1

2

3

PDM: Rev:D

STATUS:Released

Printed: Mar 15, 2011