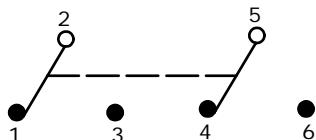
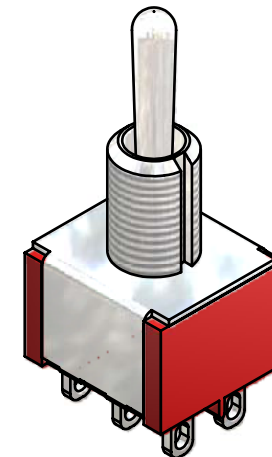
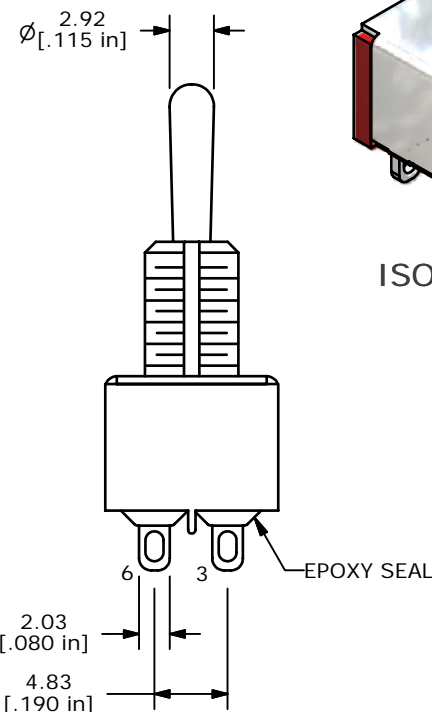
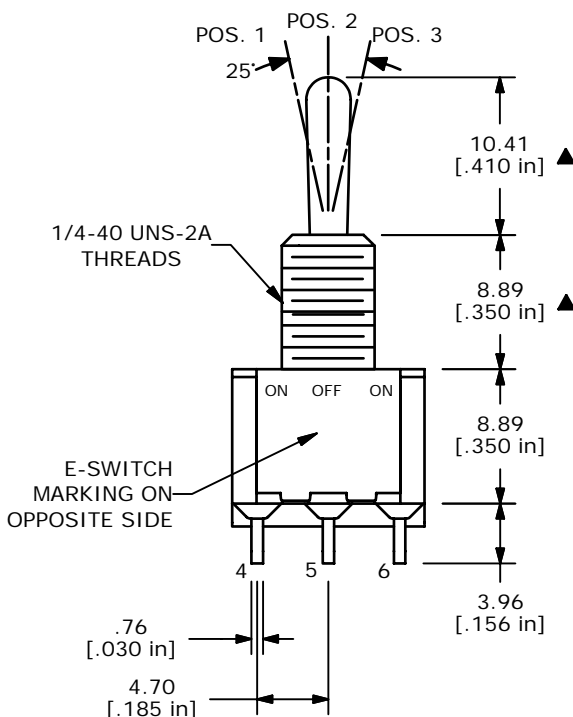
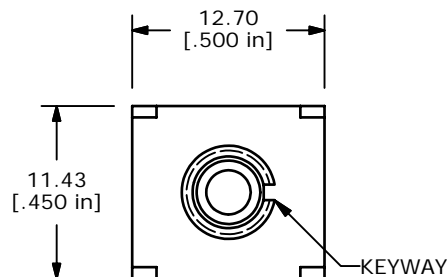


| SWITCH FUNCTION | | |
|-----------------|--------|---------|
| POS. 1 | POS. 2 | POS. 3 |
| | | |
| ON | OFF | ON |
| 2-3,5-6 | OPEN | 2-1,5-4 |



CIRCUIT: DPDT



ISOMETRIC

NOTE:

1. ALL DIMENSIONS IN MM [INCH]
2. GENERAL TOLERANCE: X.X=±0.4
X.XX=±0.25
3. TERMINAL NUMBERS FOR REF ONLY
- ▲4. PLATING MATERIAL: SILVER
5. RATING: 5AMPS W/RESISTIVE LOAD @ 120VAC OR 28VDC
2 AMPS W/ RESISTIVE LOAD @ 250VAC
6. ELECTRIC LIFE: 40,000 make-and-break cycles at full load.
7. INSULATION RESISTANCE: 1,000 Mega-ohm min.
8. DIELECTRIC STRENGTH: 1,000 V RMS @sea level.
9. OPERATING TEMP.: -30°C to 85°C
10. ▲ DENOTES CRITICAL PARAMETER.
11. 2002/95/EC (ROHS) COMPLIANT
- ▲12. HARDWARE TO BE SHIPPED BULK:
T100011 - LOCK WASHER, QTY 1
T100015 - LOCK RING, QTY 1
T100000 - HEX NUT, QTY 2



TITLE 100DP3T1B1M1QEH

| | | | | |
|-----|--------|-------------------------|--------|----|
| A | 17351 | RELEASED FOR PRODUCTION | 6/4/07 | TN |
| REV | PCR NO | DESCRIPTION | DATE | BY |

THE INFORMATION CONTAINED IN THIS DOCUMENT IS PROPRIETARY TO E-SWITCH AND IS NOT TO BE COPIED OR TRANSFERRED

| | | | | |
|-------|----------|----|----------|-----|
| SCALE | DATE | DR | DWG | REV |
| 2:1 | 6/4/2007 | TN | ST123012 | A |