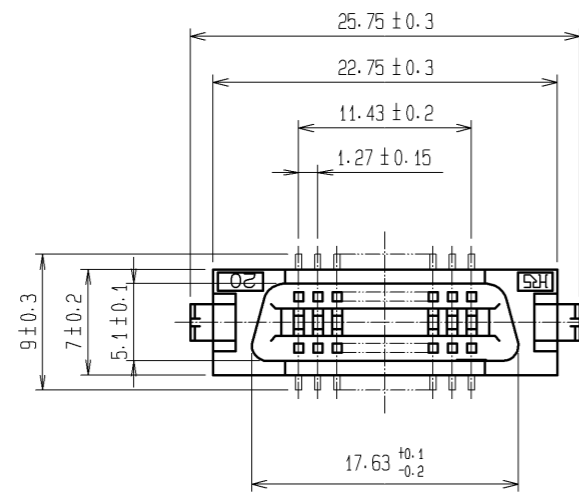
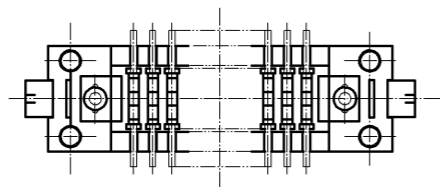
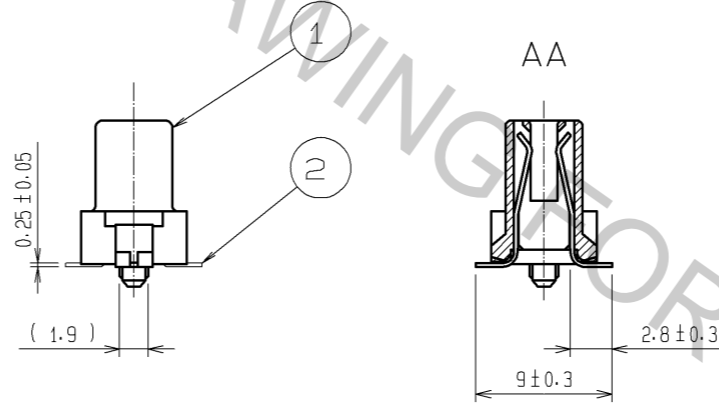
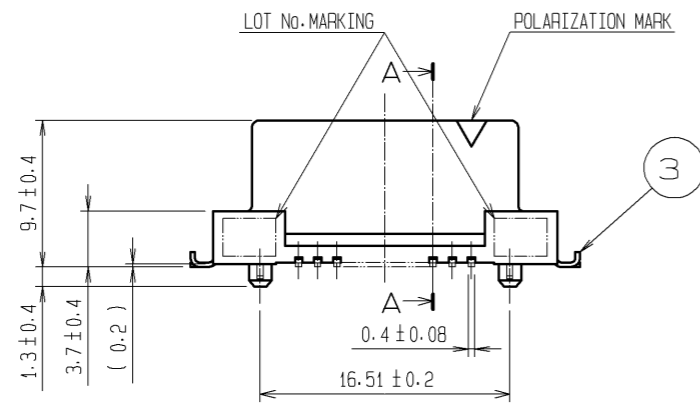
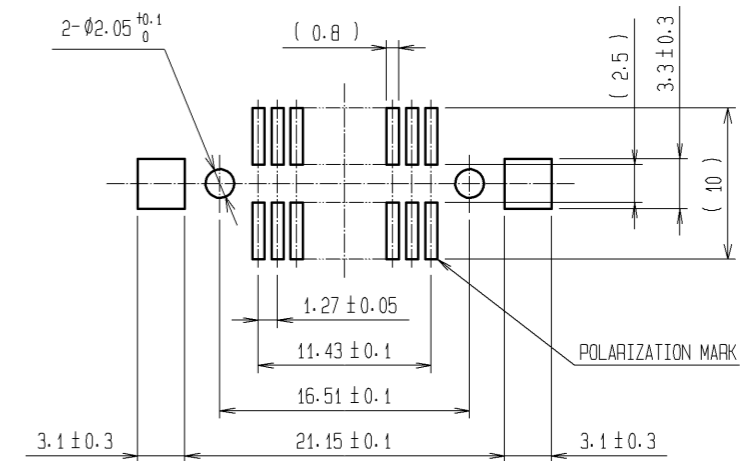


Apr.1.2017 Copyright 2017 HIROSE ELECTRIC CO., LTD. All Rights Reserved.



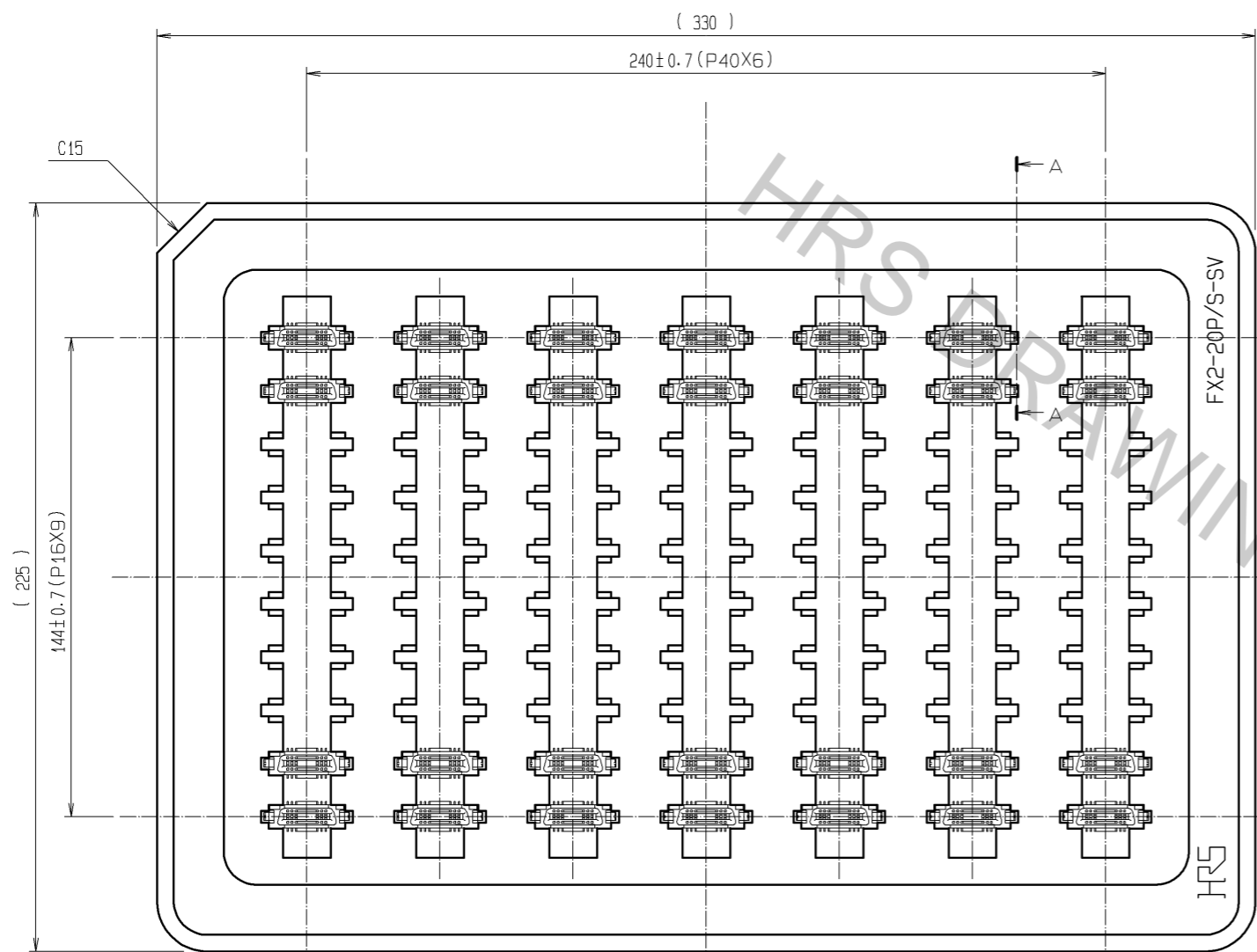
RECOMMENDED LAND PATTERN DIMENSION OF PCB (MOUNTING SIDE)  
(RECOMMENDED METAL MASK THICKNESS: 0.2mm)



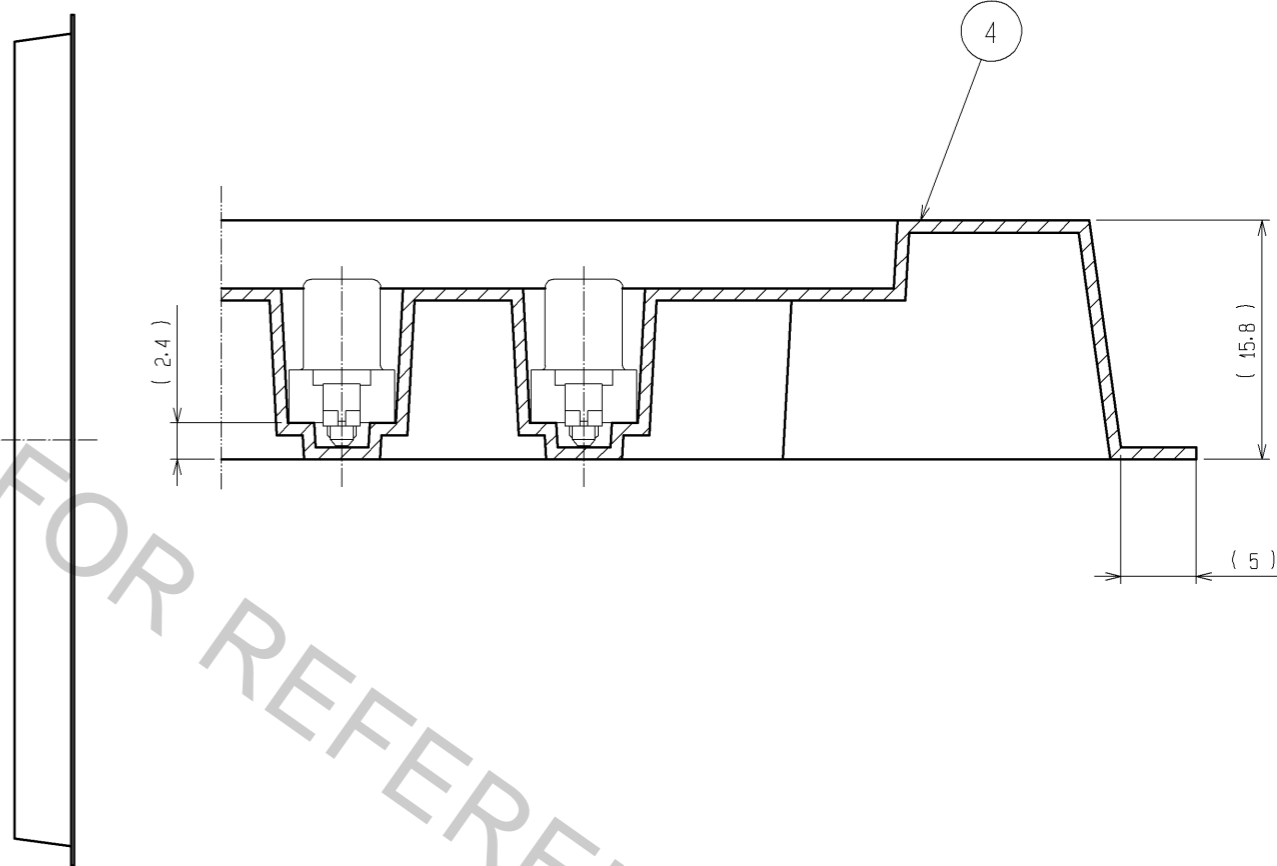
- NOTE 1 LEAD CO-PLANARITY SHALL BE 0.15mm MAX.  
 2 THE DIMENSIONS IN PARENTHESES ARE FOR REFERENCE.  
 3 TRAY PACKAGING SHALL BE APPLIED TO THIS PRODUCT.  
 SEE NEXT PAGE FOR DETAILS.

2	PHOSPHOR BRONZE	CONTACT AREA:GOLD 0.2μm min. LEAD AREA:TIN-PLATING 2μm min. UNDER PLATING:NICKEL 1.5μm min.	4	PS	TRAY			
1	PPS	LIGHT BROWN (UL94V-0)	3	BRASS	TIN-PLATING			
NO.	MATERIAL	FINISH . REMARKS	NO.	MATERIAL	FINISH . REMARKS			
UNITS mm		SCALE 2 : 1		COUNT	DESCRIPTION OF REVISIONS	DESIGNED	CHECKED	DATE
<b>HRS</b> HIROSE ELECTRIC CO., LTD.		APPROVED : HS. OKAWA	11.06.22	DRAWING NO. EDC3-082756-25				
		CHECKED : HT. YAMAGUCHI	11.06.22	PART NO. FX2-20S-1.27SVL(95)				
		DESIGNED : SY. KAMIGA	11.06.22	CODE NO. CL572-2151-1-95				
		DRAWN : HK. SUNADORI	11.06.21					

DRAWING FOR PACKING(1:2)



A-A(2:1)



- NOTE 1 1 TRAY:70 CONNECTORS  
 2 SETTING POSITION OF CONNECTORS IN THE TRAY SHALL BE ARRANGED IN ACCORDANCE WITH DRAWING.  
 3 THE DIMENSIONS IN PARENTHESES ARE FOR REFERENCE.

<b>HRS</b>	DRAWING NO.	EDC3-082756-25
	PART NO.	FX2-20S-1.27SVL(95)
	CODE NO.	CL572-2151-1-95
		△ 2/2