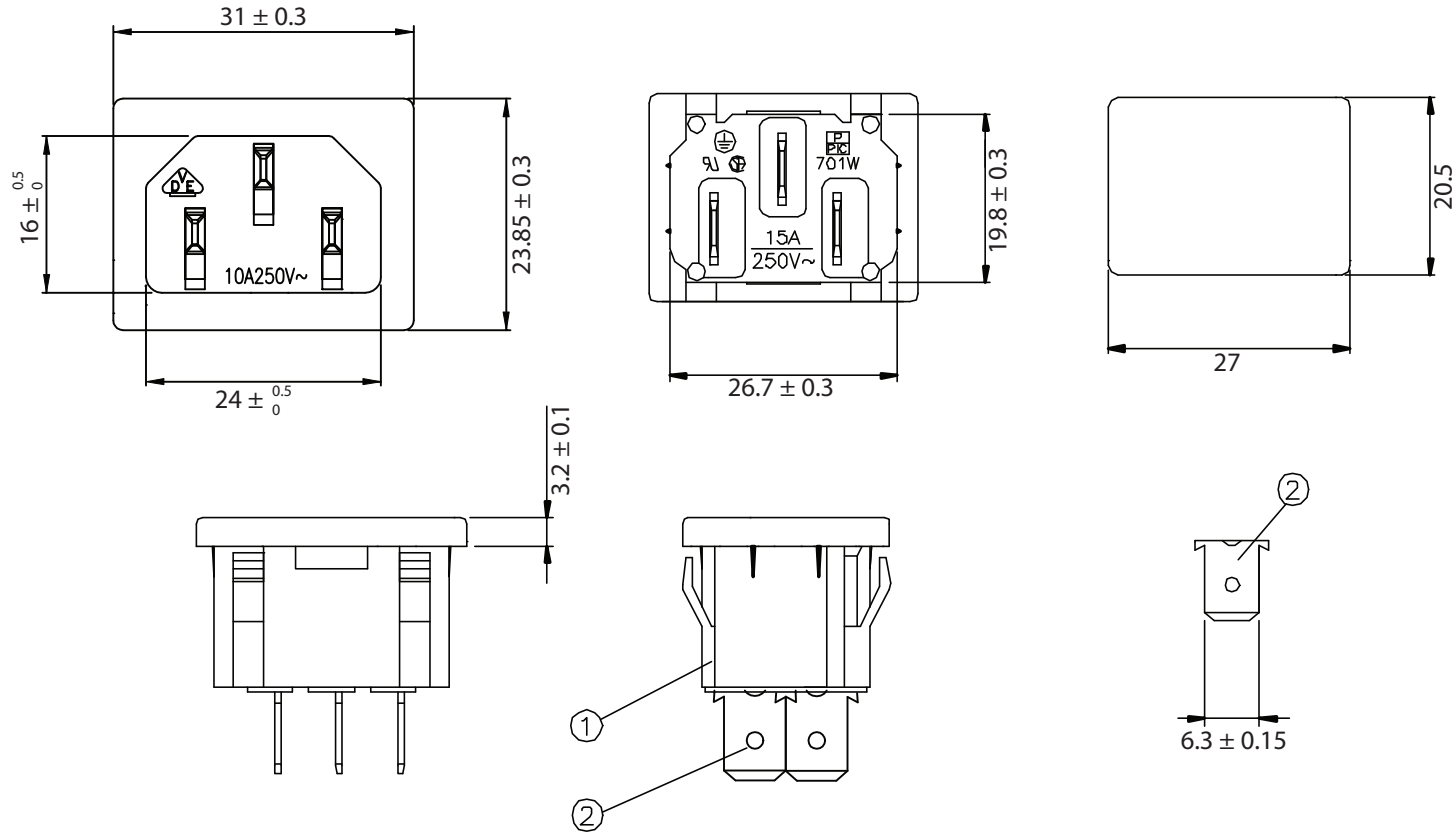


THESE DRAWINGS ARE THE PROPERTY OF QUALTEK ELECTRONICS AND NOT TO BE REPRODUCED FOR OR COMMUNICATED TO A THIRD PARTY WITHOUT THE EXPRESS WRITTEN PERMISSION OF AN OFFICER OF QUALTEK ELECTRONICS.

REVISION			
REV.	DESCRIPTION	DATE	APPROVED
B	RoHS Compliancy	06-01-06	DP



**CONTROLLED**

**NOTES:**

**MATERIAL:**

HOUSING: THERMOPLASTIC  
 TERMINAL: COPPER ALLOY

**RATING:**

UL, CSA: 15A 250V AC  
 VDE: 10A 250V AC

INSULATION RESISTANCE: OVER 100 OHM 500V DC

DIELECTRIC STRENGTH: 2000V AC ONE MINUTE

APPROVALS: UL, CSA, VDE

PANEL THICKNESS: 0.8mm~1.5mm

RoHS COMPLIANT

2	Contact PIN Bronze Strip t=2mm Tin-Plated	3		
1	Body Insulator Nylon A216-BK	1		
Dim range (mm)	Tolerance +/- (mm)	<b>Qualtek Electronics Corp.</b> PPC DIVISION		
		Part Number: <b>701W-X2/08</b>	RoHS Compliant	
0-1	0.15	Description: <b>AC RECEPTACLE</b>		
1-6	0.20			
6-18	0.30	UNIT: mm	REV. B	
18-50	0.50			
50-120	0.70	Drawn / Date	Checked / Date	Approved / Date
120-250	0.90	B.Zhang 04-16-02	04-16-02	JJH / 04-16-02
250-500	1.20			