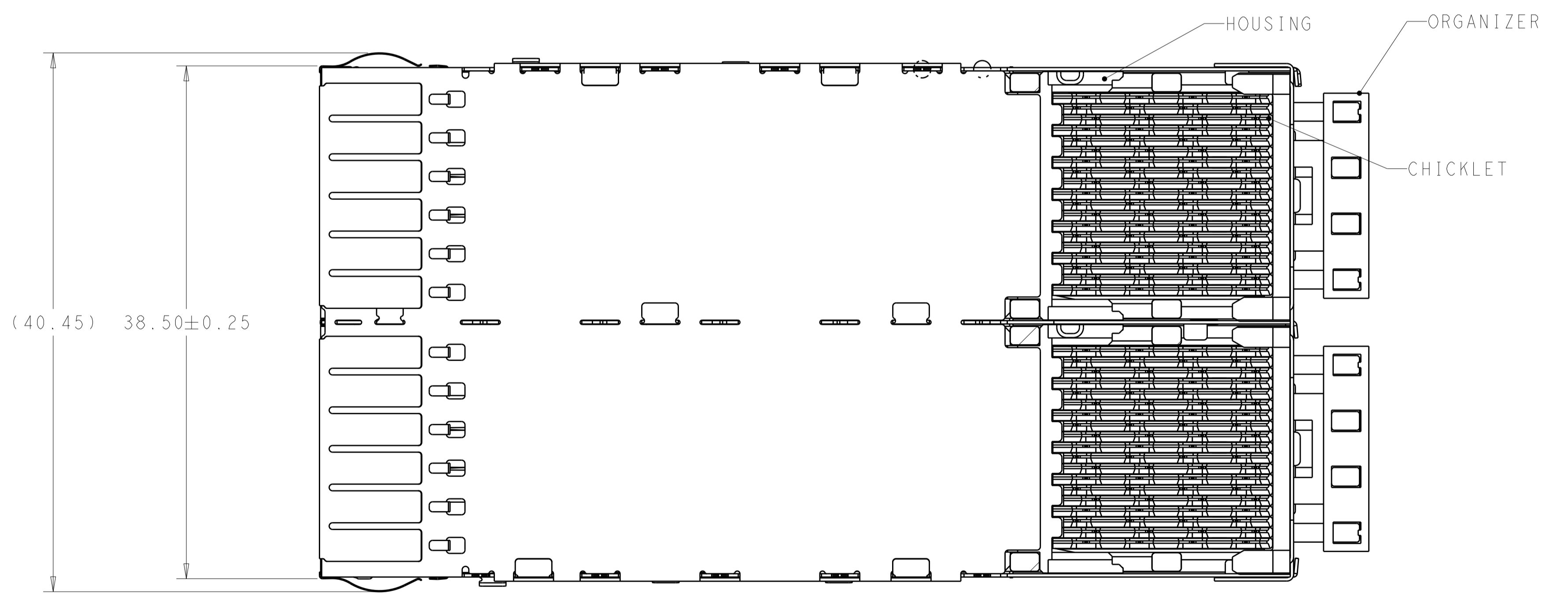
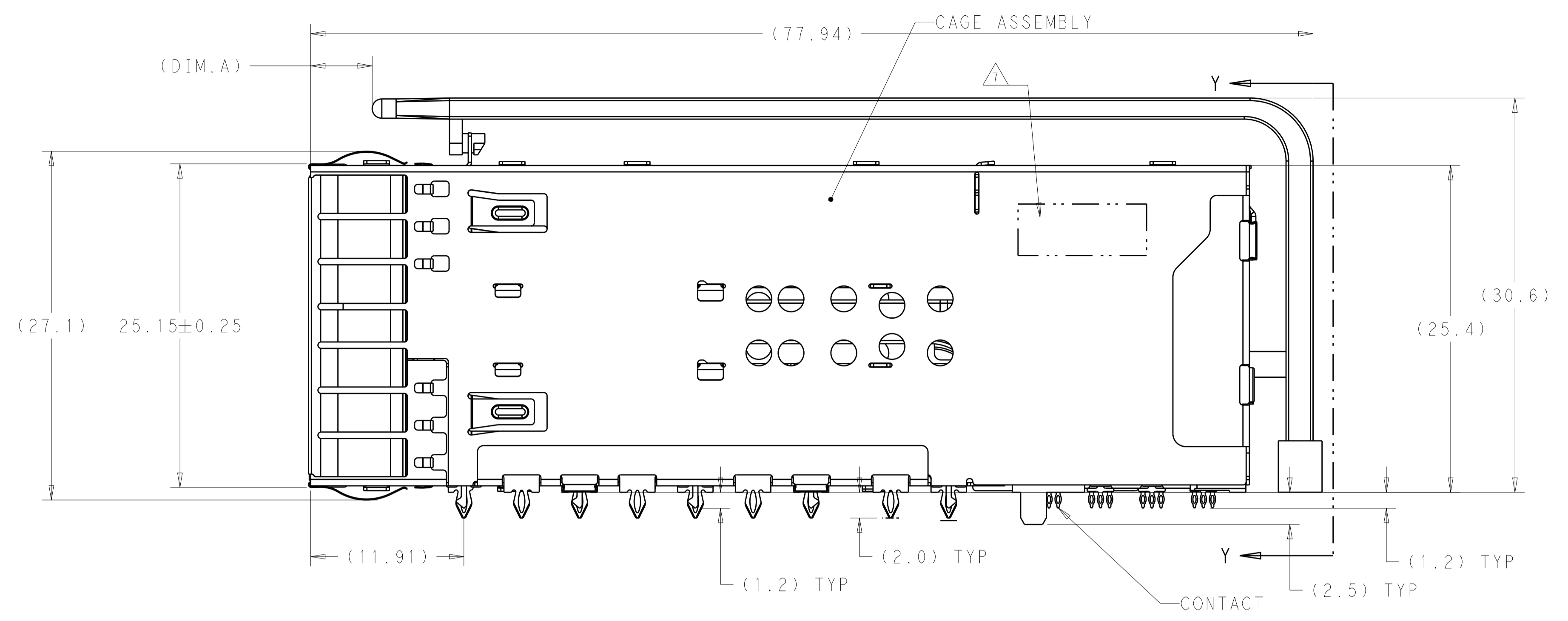
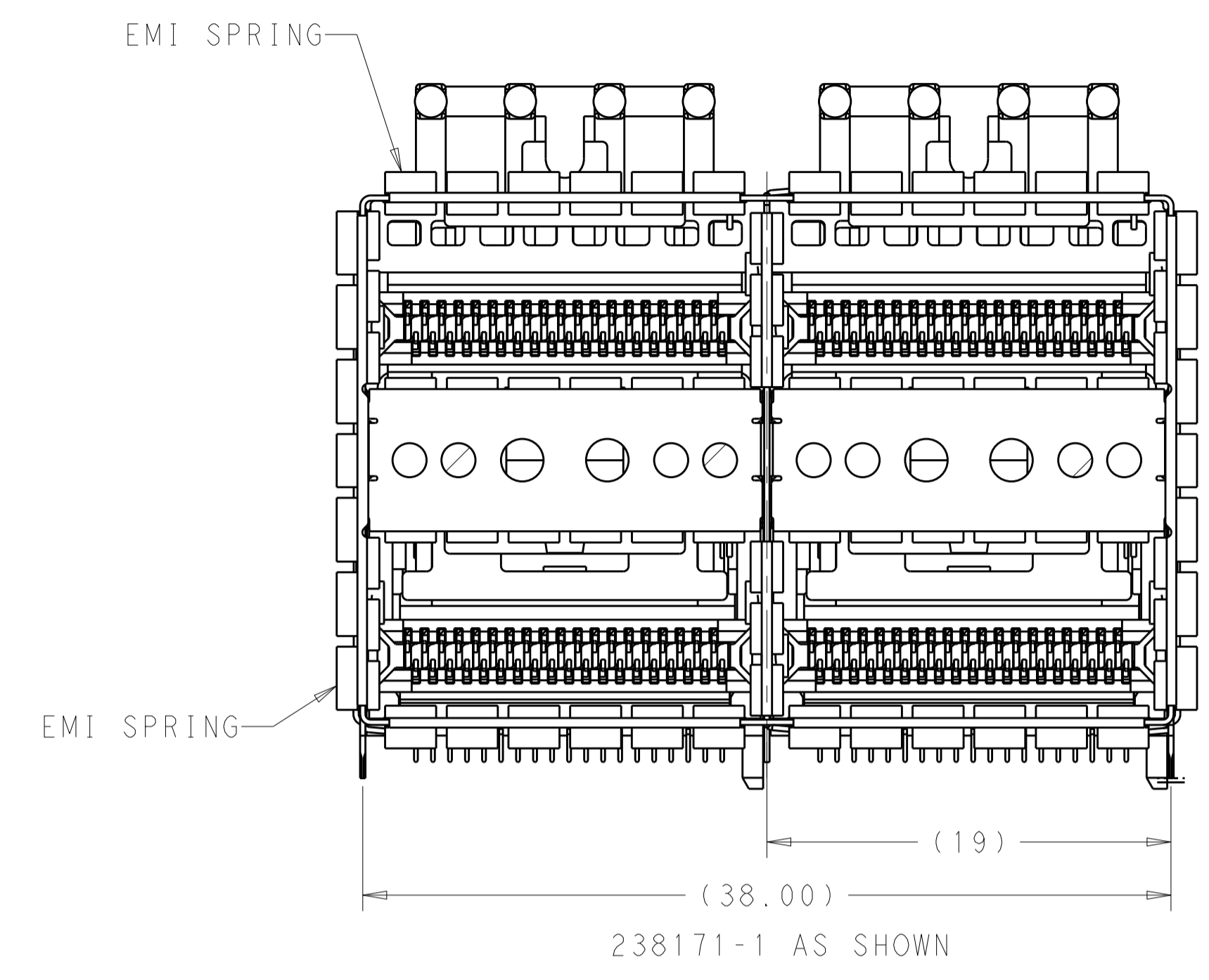


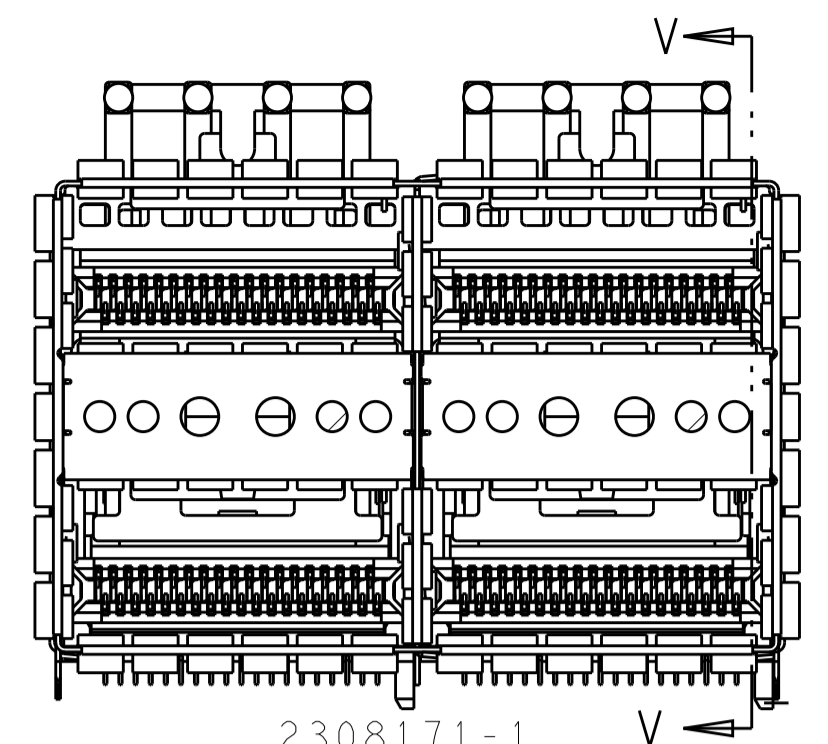
| LOC | DIST | REVISIONS | | | |
|-----|------|-------------|------------------------------|-----------|-------|
| P | LTN | DESCRIPTION | DATE | DWN | APVD |
| GP | 00 | A | RELEASED FOR MASS PRODUCTION | 19JAN2018 | TX SH |



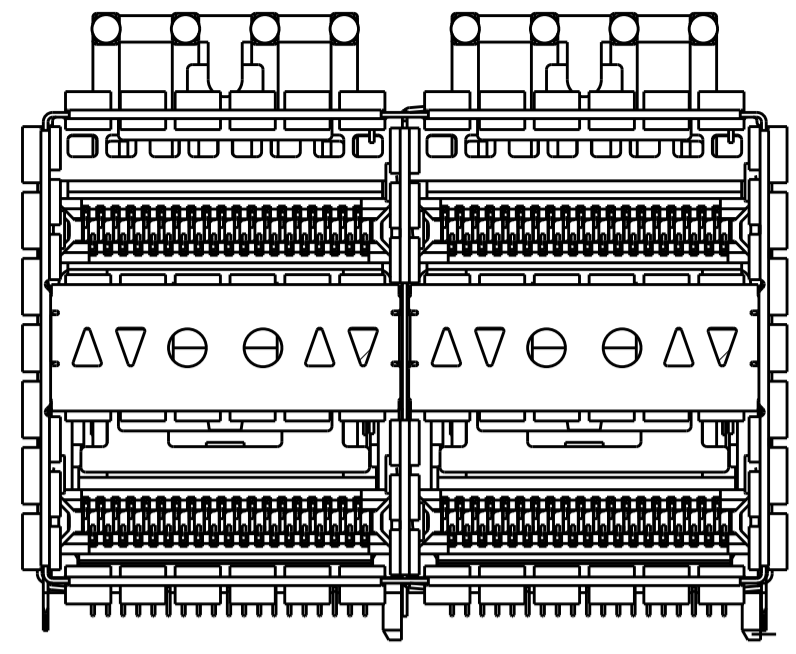
- MATERIALS:
 CAGE ASSEMBLY- NICKEL SILVER ALLOY PER ASTM B 122.
 EMI SPRING- COPPER ALLOY, NICKEL PLATED.
 HOUSING- POLYESTER LCP WITH 94V-0.
 CHICKLET- POLYESTER LCP WITH 94V-0.
 CONTACT- COPPER ALLOY.
 LIGHTPIPE- POLYCARBONATE WITH 94V-0.
- ⚠ CONTACT FINISH: 0.76µm MIN GOLD ON MATING AREA, 0.7-1.5µm MATT TIN ON COMPLIANT AREA, ALL OVER 1.27µm MIN NICKEL.
 - ⚠ DATUM AND BASIC DIMENSION ESTABLISHED BY CUSTOMER.
 - 4. MINIMUM PCB THICKNESS OF 3.0 FOR BELLY TO BELLY APPLICATION.
 - ⚠ THE ENTIRE AREA OF THE CONNECTOR FOOTPRINT, INDICATED BY THE DASHED LINE, TO BE CONSIDERED THE KEEPOUT AREA FOR COMPONENTS AND TRACES.
 - ⚠ CROSS-HATCHED AREAS REPRESENT ZONES ON THE PCB THAT COME IN CONTACT WITH OR BE IN CLOSE PROXIMITY TO THE PLASTIC HOUSING OR THE CONNECTOR CAGE. INDICATED AREAS TO BE CONSIDERED TRACE FREE.
 - ⚠ PART NUMBER AND DATE CODE MADE IN APPROXIMATE AREA SHOWN.
 - ⚠ HATCHED AREA IS PLACEMENT ZONE FOR LED. LED SHOULD BE CENTERED WITHIN ZONE. RECOMMEND 0805 PACKAGE.

| | | | | | |
|---|--|------------|----------|------------------|--|
| THIS DRAWING IS A CONTROLLED DOCUMENT. | | DWN | TIM XUE | 17AUG2016 | TE Connectivity NAME zOSFP+ 2X2 4 INTERNAL LIGHT PIPES WITH EMI SPRING FINGERS, BELLY TO BELLY APPLICATION PRODUCT SPEC 108-60102 APPLICATION SPEC 114-60015 SIZE CAGE CODE DRAWING NO A100779C=2308171 RESTRICTED TO |
| DIMENSIONS: | | CHK | SEAN HAN | 17AUG2016 | |
| mm | | APVD | SEAN HAN | 17AUG2016 | |
| 0 PLC ± 1 PLC ±0.25 2 PLC ±0.15 3 PLC ± 4 PLC ± ANGLES ± FINISH ± | | MATERIAL | | WEIGHT | |
| SEE NOTE 1 | | SEE NOTE 2 | | CUSTOMER DRAWING | SCALE 4:1 SHEET 1 OF 5 REV A |

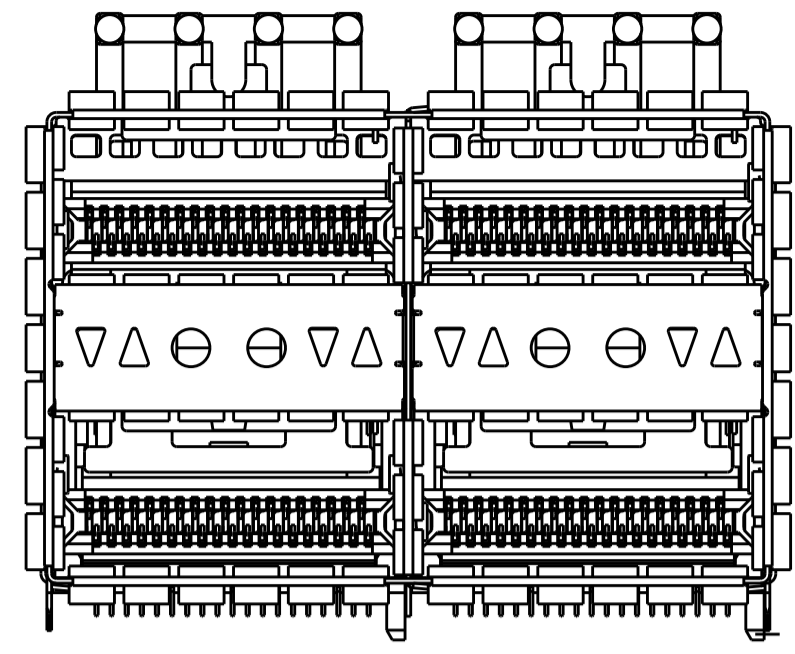
| LOC | | DIST | | REVISIONS | | | |
|-----|----|------|-----|-------------|------|-----|------|
| GP | 00 | P | LYN | DESCRIPTION | DATE | DWN | APVD |
| | | - | | SEE SHEET 1 | | | |



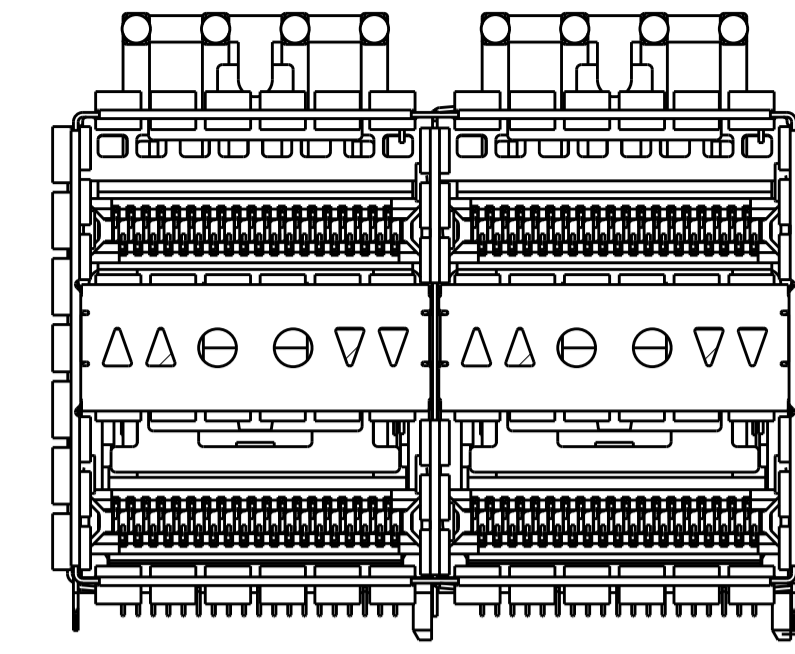
2308171-1
 2308171-7
 1-2308171-0
 ALL ROUND INDICATOR, 4LP
 SCALE 5:2



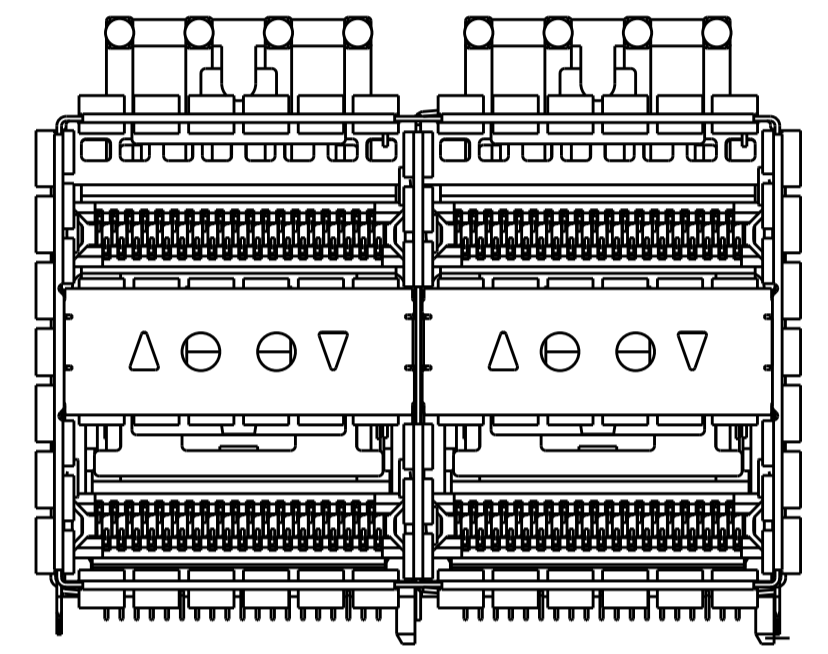
2308171-2
 LEFT INDICATOR UP
 SCALE 5:2



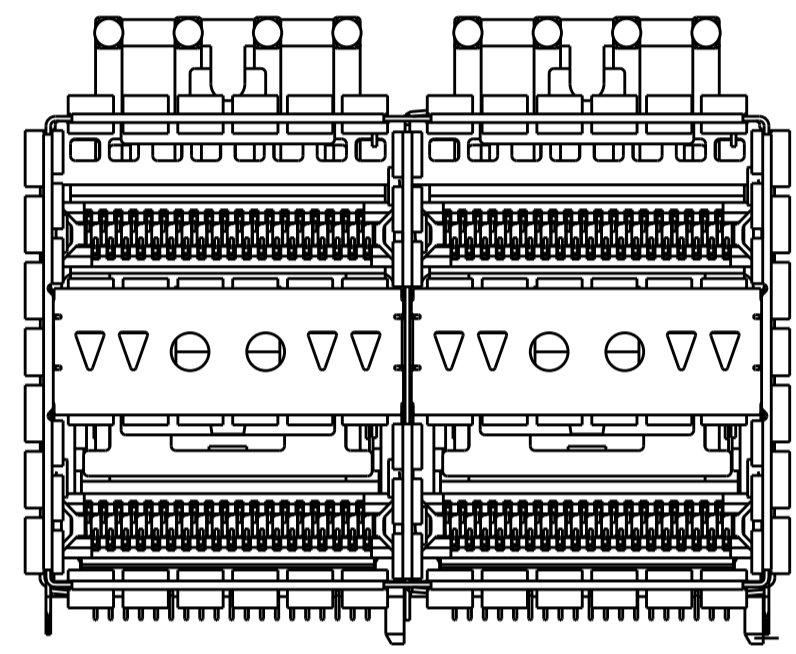
2308171-3
 LEFT INDICATOR DOWN
 SCALE 5:2



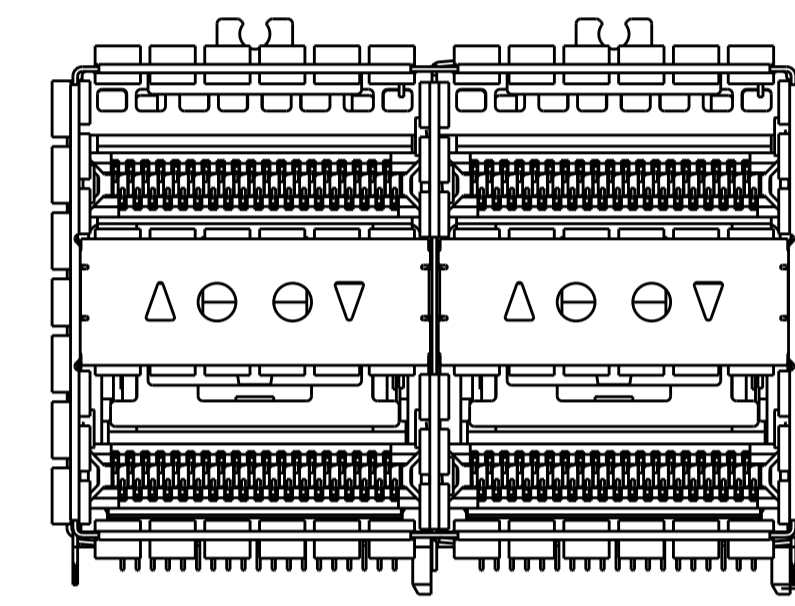
2308171-4
 LEFT INDICATOR UP
 SCALE 5:2



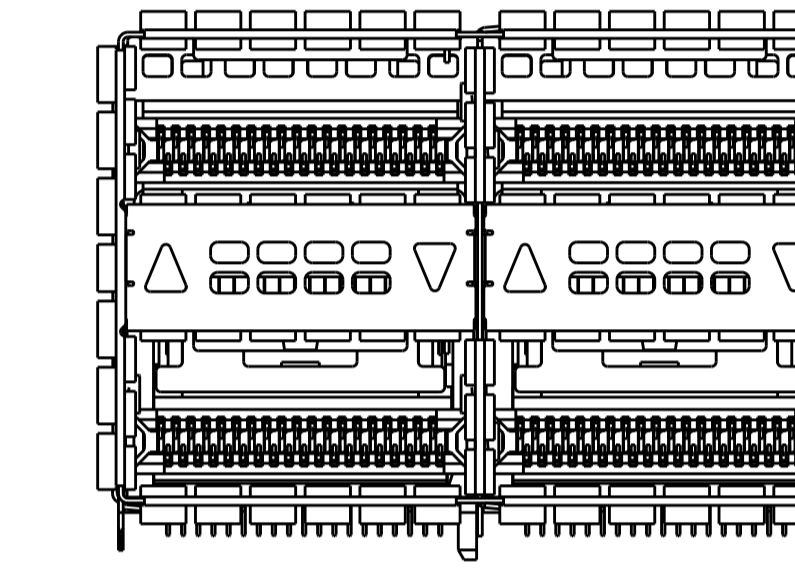
2308171-5
 LEFT INDICATORS UP(2 LIGHT PIPES)
 SCALE 5:2



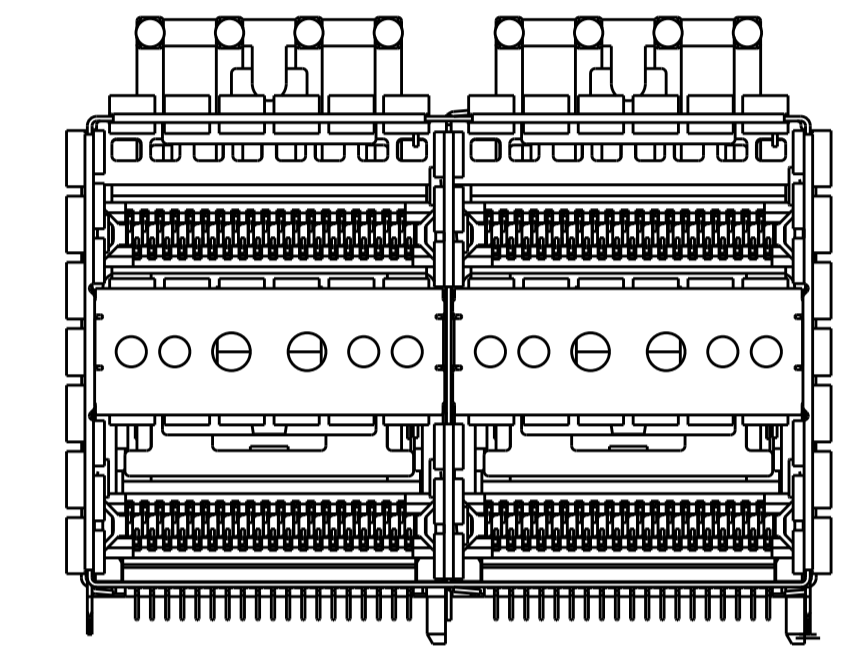
2308171-6
 ALL INDICATORS DOWN
 SCALE 5:2



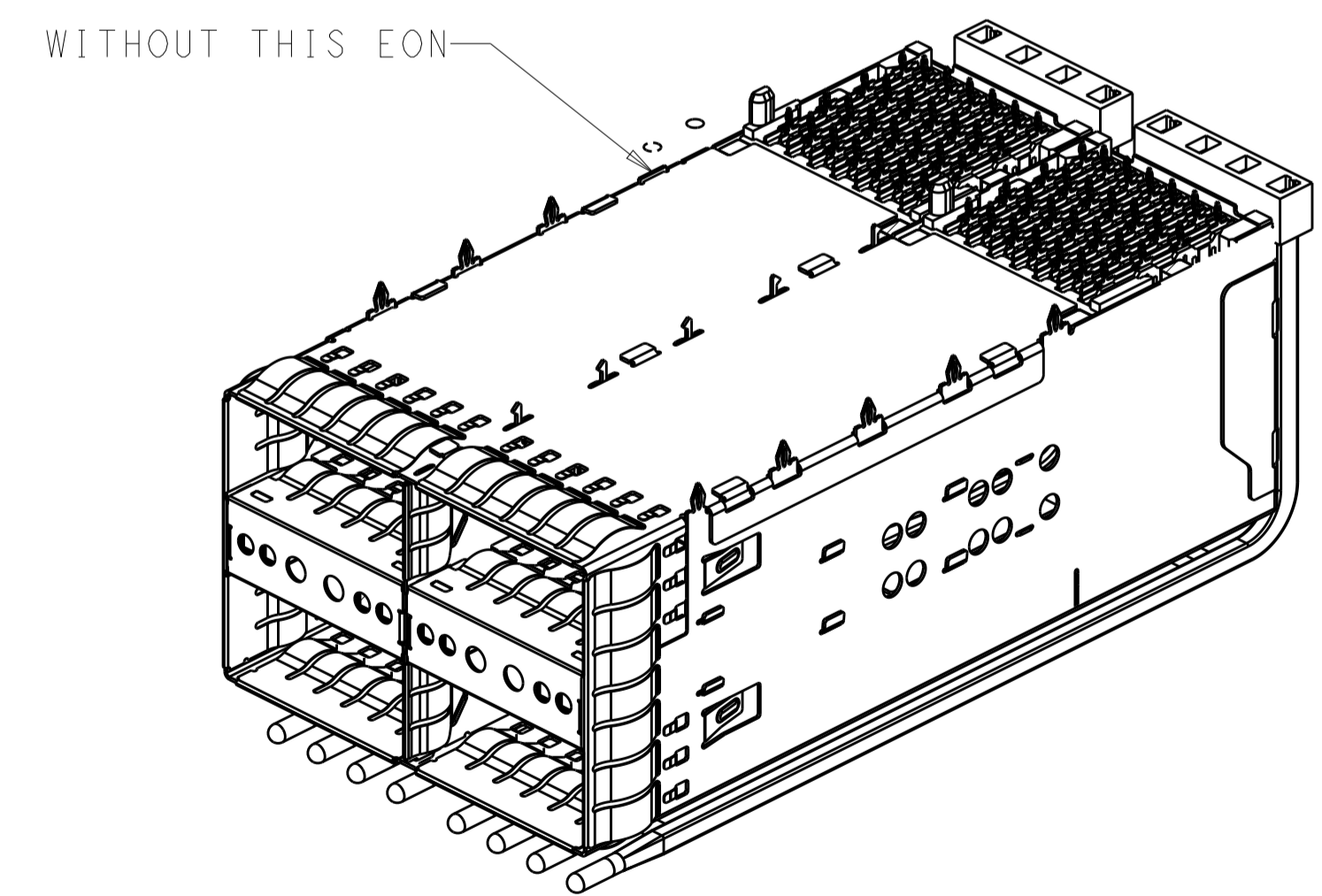
2308171-8
 W/O TOP LIGHT PIPE
 SCALE 5:2



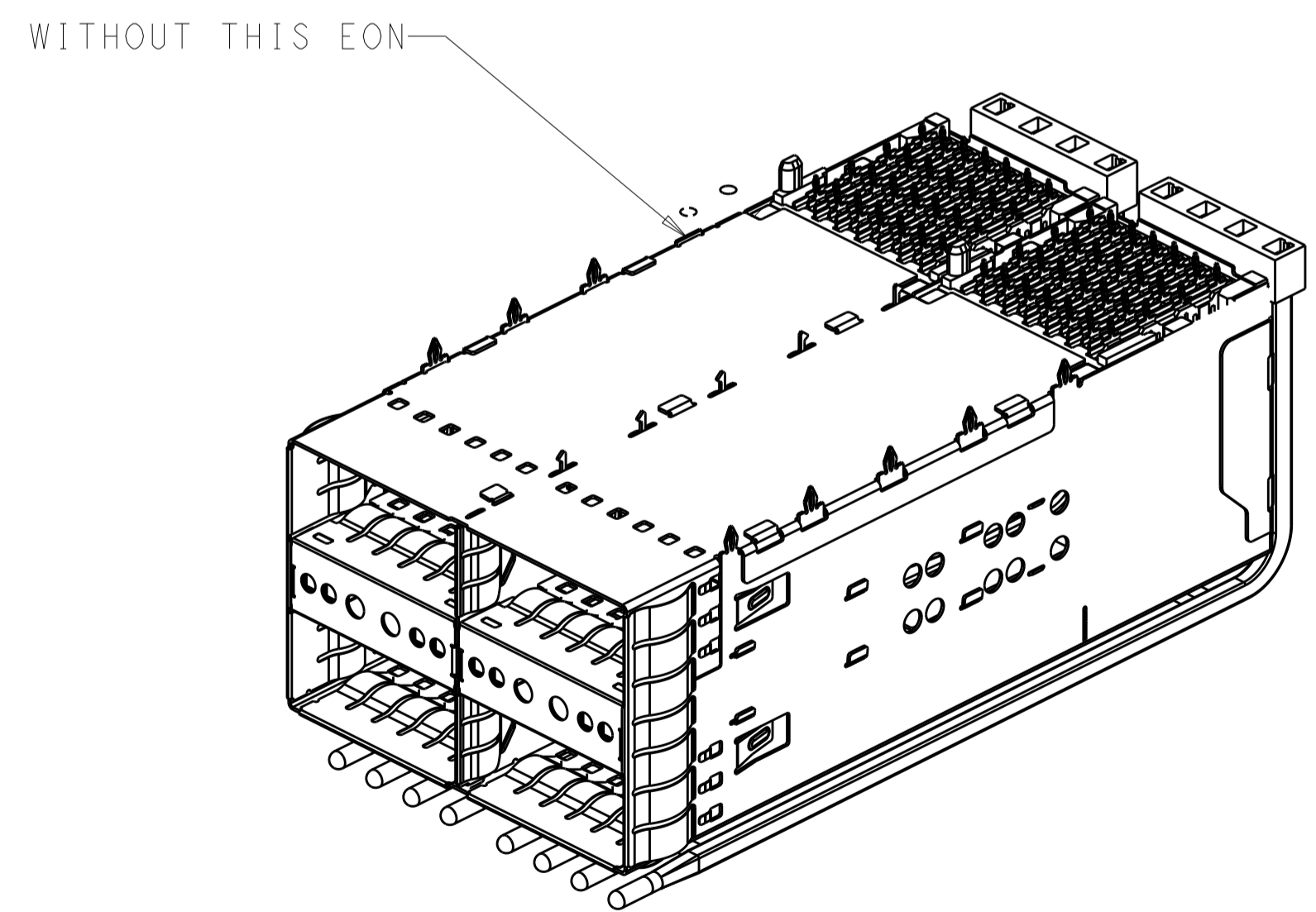
2308171-9
 W/O TOP LIGHT PIPE
 SCALE 5:2



1-2308171-1
 ALL ROUND INDICATOR, 4LP
 WITHOUT BOTTOM EMI SPRINGS
 SCALE 5:2



1-2308171-0
 BOTTOM VIEW
 SCALE 2:1



1-2308171-1
 BOTTOM VIEW
 SCALE 2:1

| REMARK | DIM.A | CONTACT FINISH | DESCRIPTION | PART NUMBER |
|----------------------------|-------|----------------|--------------------------|-------------|
| W/ ORGANIZER, UNCOATED LP | 1.6 | 2 | ALL ROUND INDICATOR, 4LP | 1-2308171-1 |
| W/ ORGANIZER, UNCOATED LP | 1.6 | 2 | ALL ROUND INDICATOR, 4LP | 1-2308171-0 |
| W/O ORGANIZER, W/O TOP LP | N/A | 2 | LEFT INDICATOR UP, 2LP | 2308171-9 |
| W/O ORGANIZER, W/O TOP LP | N/A | 2 | LEFT INDICATOR UP, 2LP | 2308171-8 |
| W/O ORGANIZER, UNCOATED LP | 1.6 | 2 | ALL ROUND INDICATOR, 4LP | 2308171-7 |
| W/ ORGANIZER, UNCOATED LP | 1.6 | 2 | ALL INDICATOR DOWN, 4LP | 2308171-6 |
| W/O ORGANIZER, UNCOATED LP | 4.8 | 2 | LEFT INDICATOR UP, 2LP | 2308171-5 |
| W/O ORGANIZER, UNCOATED LP | 4.8 | 2 | LEFT INDICATOR UP, 4LP | 2308171-4 |
| W/O ORGANIZER, UNCOATED LP | 4.8 | 2 | LEFT INDICATOR DOWN, 4LP | 2308171-3 |
| W/O ORGANIZER, UNCOATED LP | 4.8 | 2 | LEFT INDICATOR UP, 4LP | 2308171-2 |
| W/ ORGANIZER, UNCOATED LP | 4.8 | 2 | ALL ROUND INDICATOR, 4LP | 2308171-1 |

THIS DRAWING IS A CONTROLLED DOCUMENT.

DIMENSIONS: mm

TOLERANCES UNLESS OTHERWISE SPECIFIED:

| | |
|--------|-------|
| 0 PLC | ± |
| 1 PLC | ±0.25 |
| 2 PLC | ±0.15 |
| 3 PLC | ± |
| 4 PLC | ± |
| ANGLES | ± |

MATERIAL: SEE NOTE 1

FINISH: SEE NOTE 2

OWN: TIM XUE 17AUG2016

CHK: SEAN HAN 17AUG2016

APVD: SEAN HAN 17AUG2016

NAME: zOSFP+ 2X2 4 INTERNAL LIGHT PIPES WITH EMI SPRING FINGERS, BELLY TO BELLY APPLICATION

PRODUCT SPEC: 108-60102

APPLICATION SPEC: 114-60015

WEIGHT: -

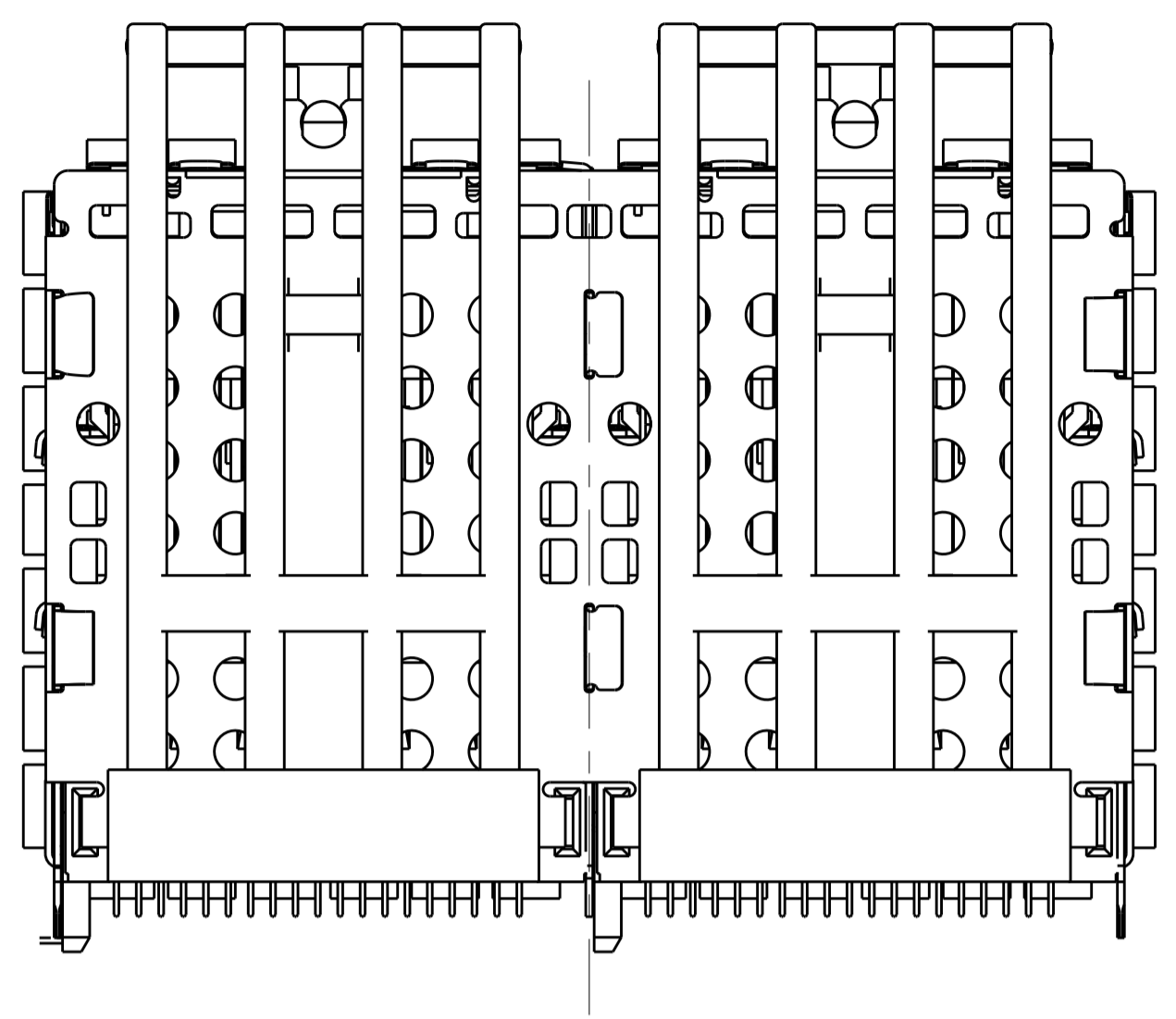
CUSTOMER DRAWING

SCALE: 4:1

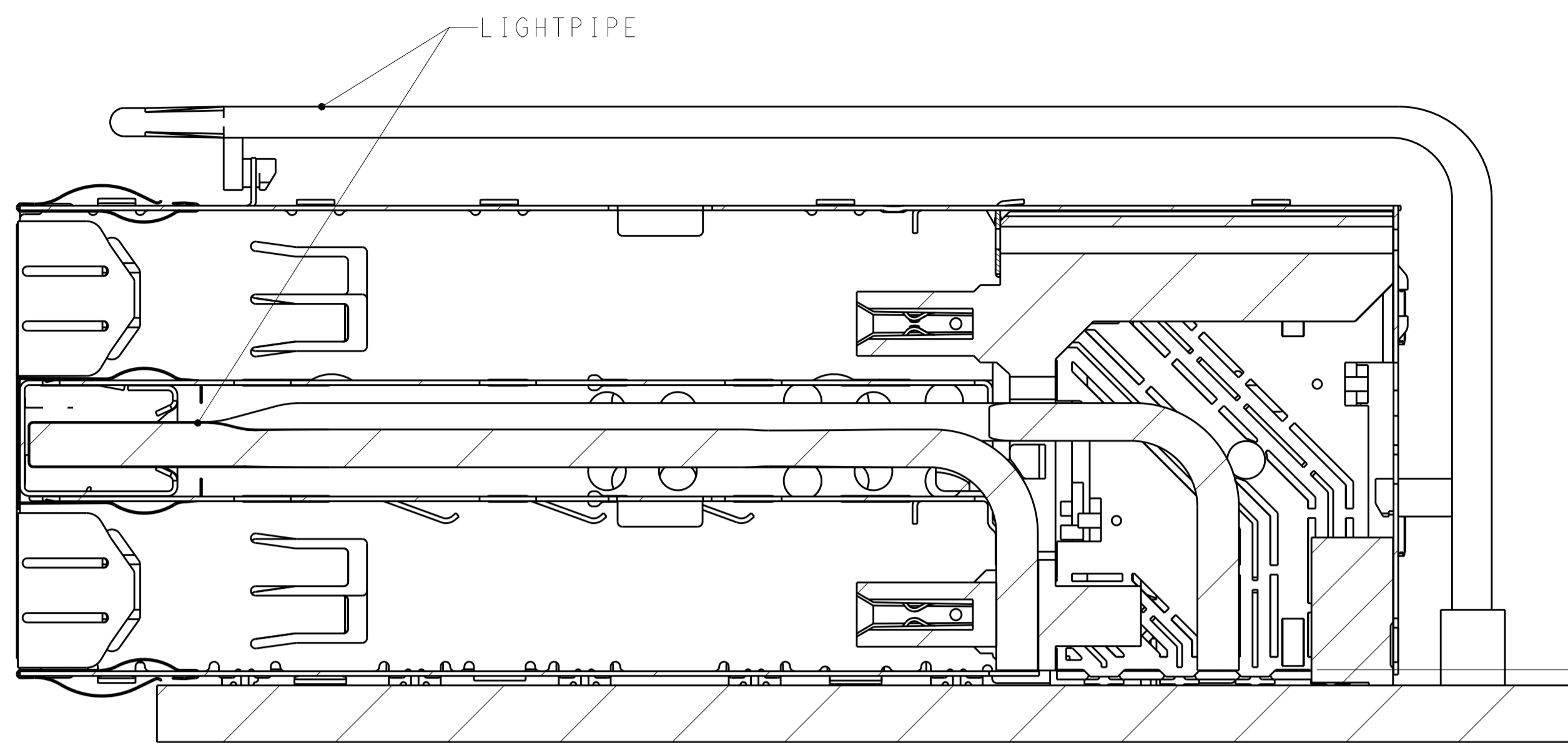
SHEET: 2 OF 5

REV: A

| LOC | DIST | REVISIONS | | | | | |
|-----|------|-----------|-----|-------------|------|-----|------|
| GP | 00 | P | LTN | DESCRIPTION | DATE | DWN | APVD |
| - | - | - | - | SEE SHEET 1 | - | - | - |

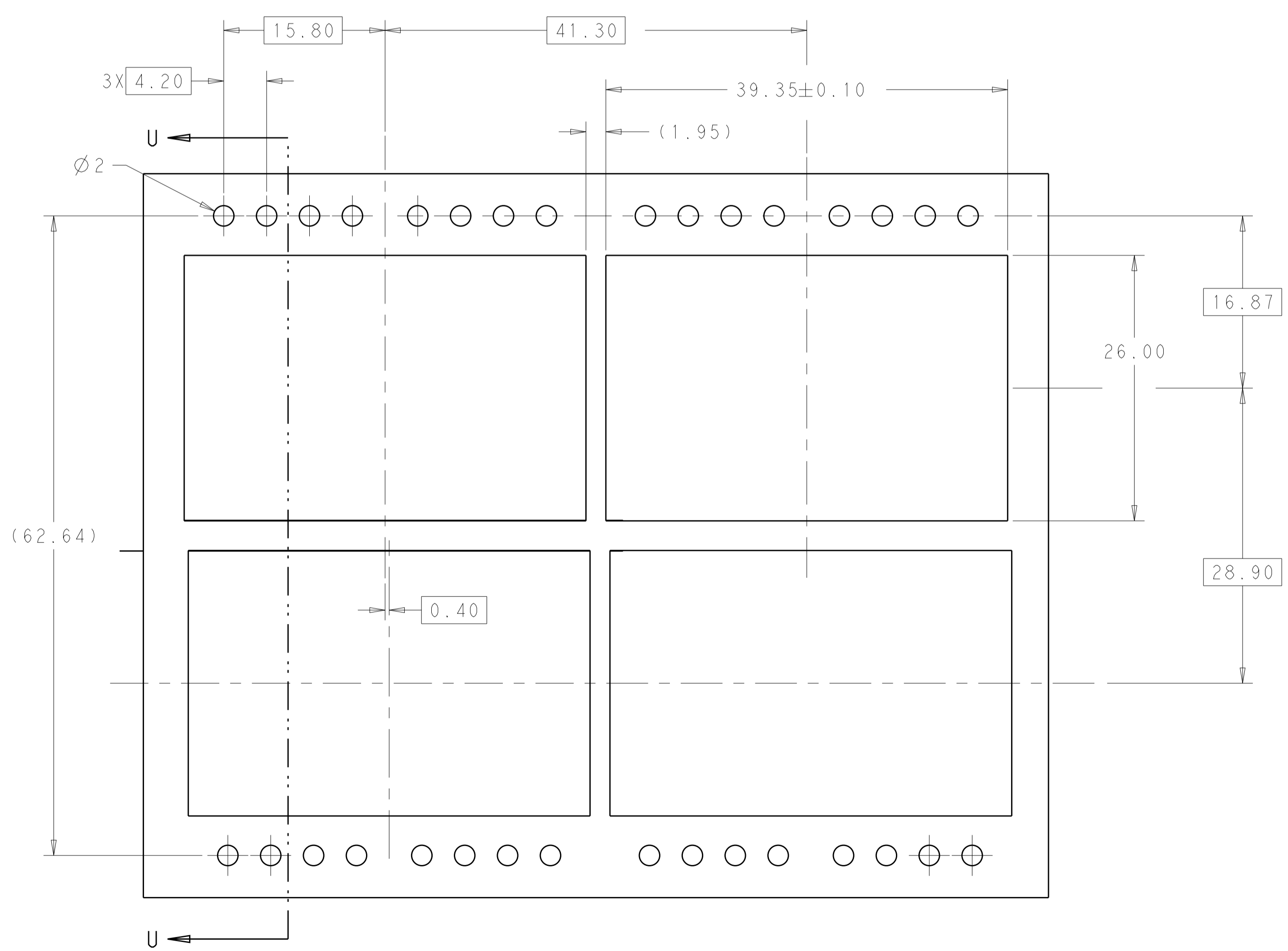


VIEW Y-Y

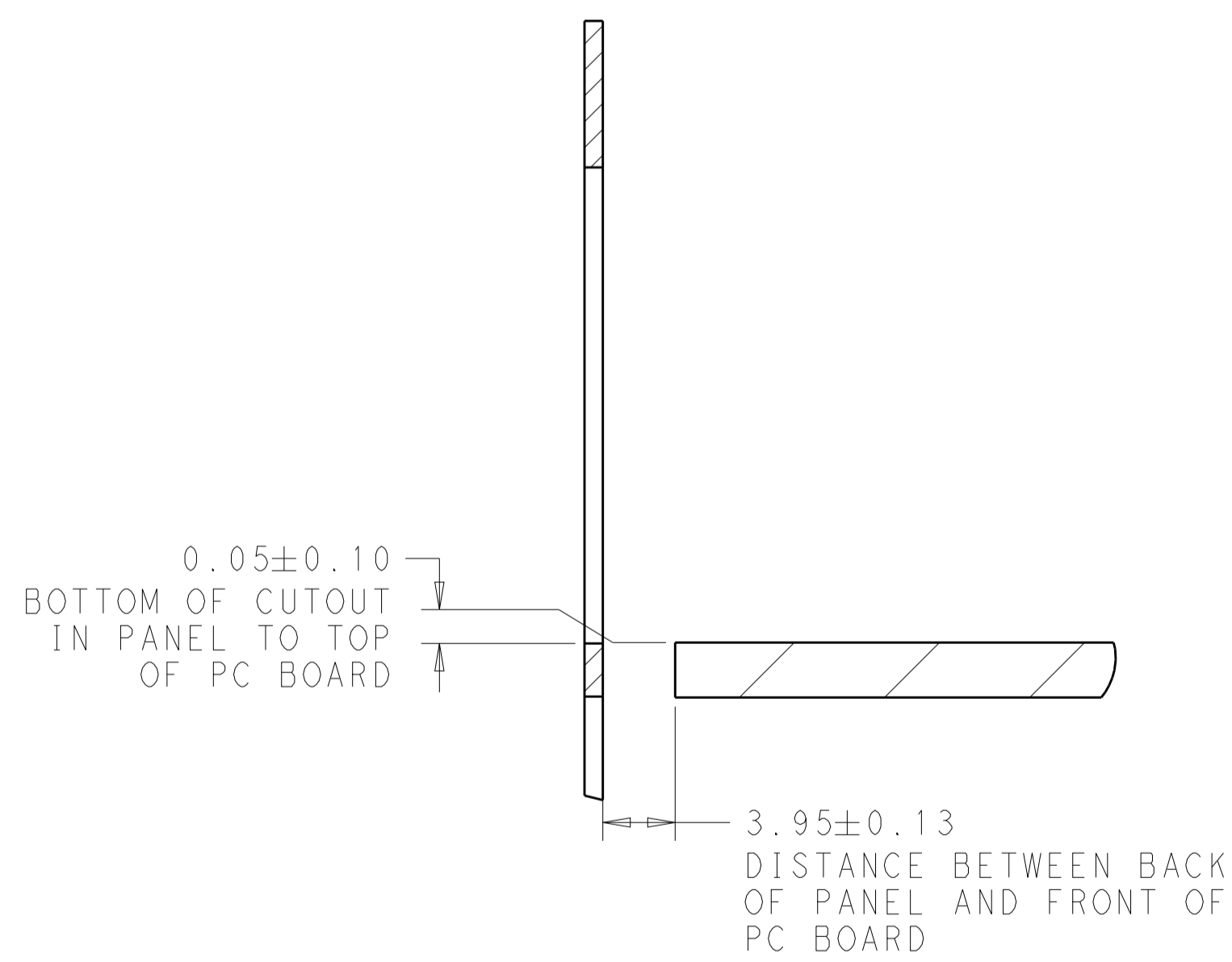


SECTION V-V
SCALE 4:1

(0.80)
RECOMMENDED 0805
PACKAGE SMD CHIP
LED LAMPS



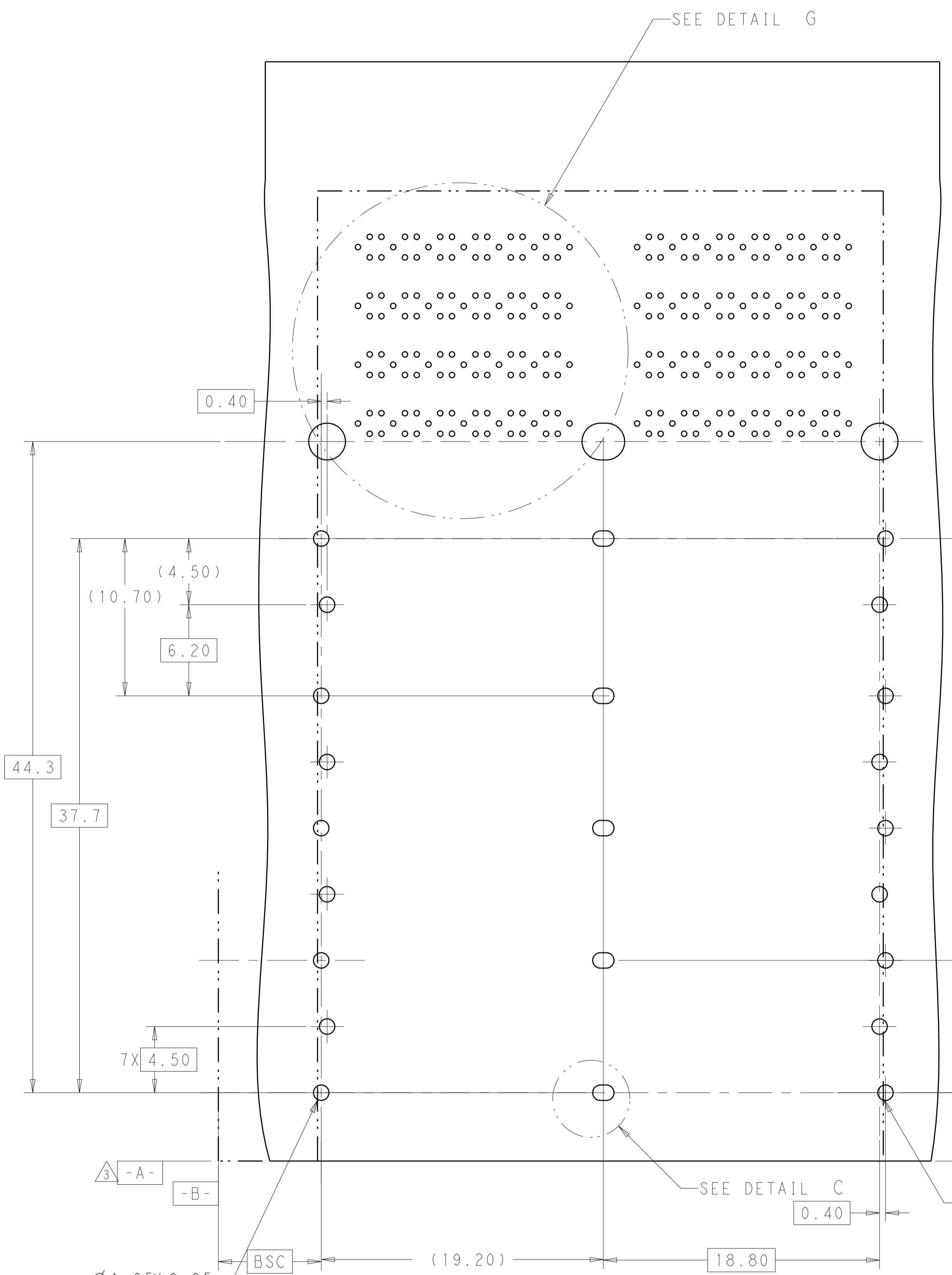
RECOMMENDED PANEL CUTOUT
AND PC BOARD, PANEL POSITION
SCALE 3:1



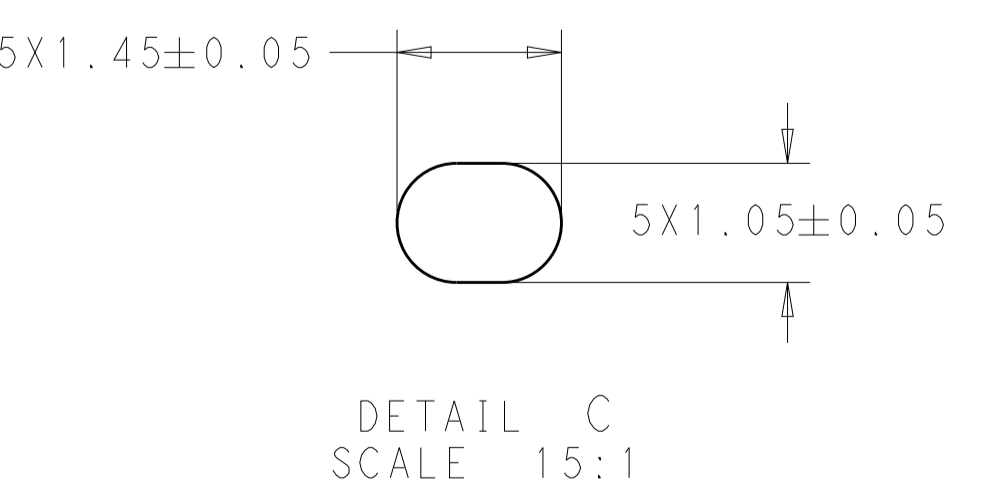
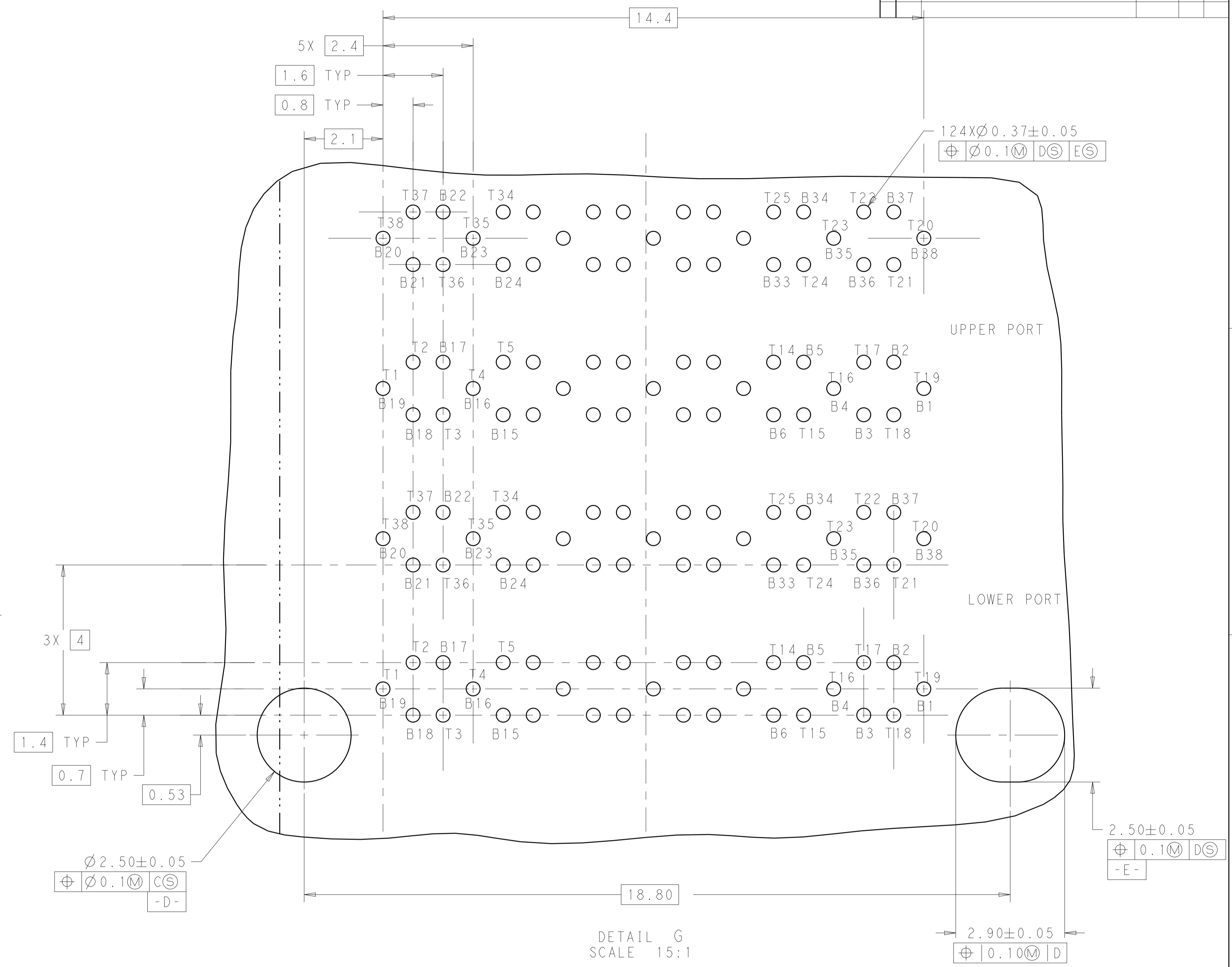
SECTION U-U

| | | | | | |
|---|--|--|----------|------------|---|
| THIS DRAWING IS A CONTROLLED DOCUMENT. | | DWN | TIM XUE | 17AUG2016 | TE Connectivity NAME zOSFP+ 2X2.4 INTERNAL LIGHT PIPES WITH EMI SPRING FINGERS, BELLY TO BELLY APPLICATION PRODUCT SPEC 108-60102 APPLICATION SPEC 114-60015 SIZE CAGE CODE DRAWING NO. RESTRICTED TO A100779C=2308171 |
| DIMENSIONS: | | CHK | SEAN HAN | 17AUG2016 | |
| mm | | APVD | SEAN HAN | 17AUG2016 | |
| 0 PLC ± 1 PLC ±0.25 2 PLC ±0.15 3 PLC ± 4 PLC ± ANGLES ± FINISH ± | | TOLERANCES UNLESS OTHERWISE SPECIFIED: | | WEIGHT | |
| MATERIAL | | SEE NOTE 1 | | SEE NOTE 2 | CUSTOMER DRAWING |
| SCALE 4:1 | | SHEET 3 OF 5 | | REV A | |

| LOC | | DIST | | REVISIONS | | | |
|-----|----|------|-----|-------------|------|-----|------|
| GP | 00 | P | LTN | DESCRIPTION | DATE | DMN | APVD |
| | | | | SEE SHEET 1 | | | |



RECOMMENDED PC BOARD LAYOUT
 COMPONENT SIDE OF BOARD
 (PCB TOLERANCE ±0.05)
 SCALE 5:1

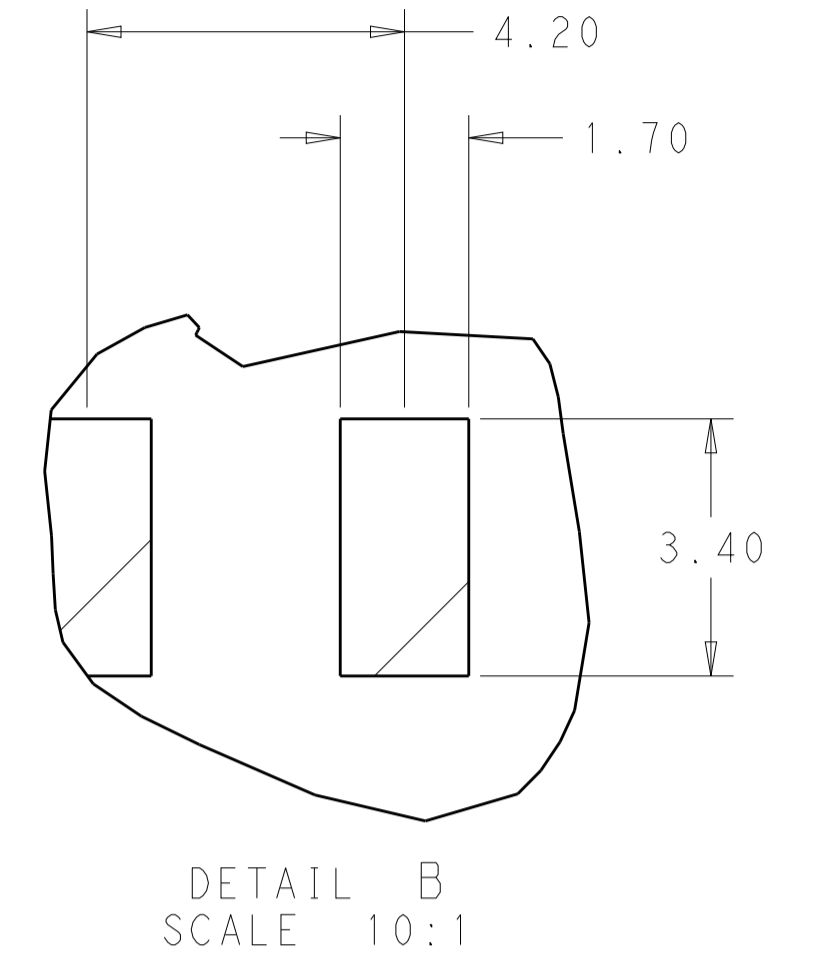
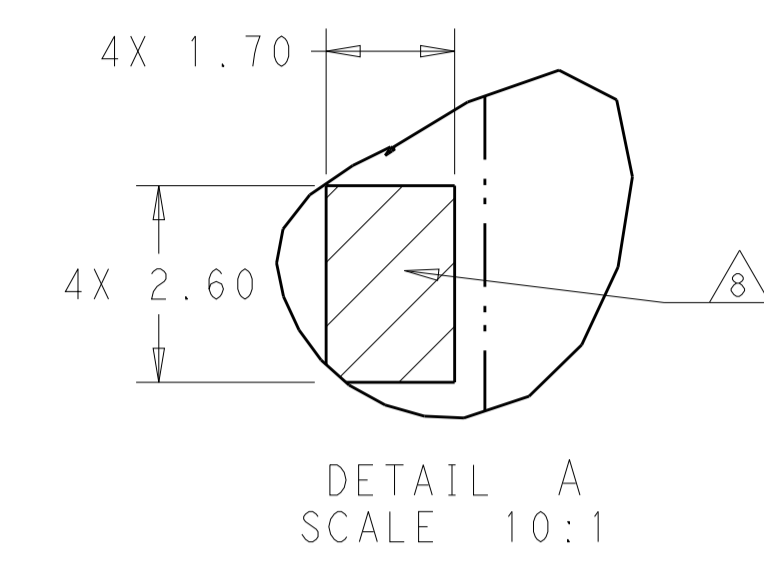
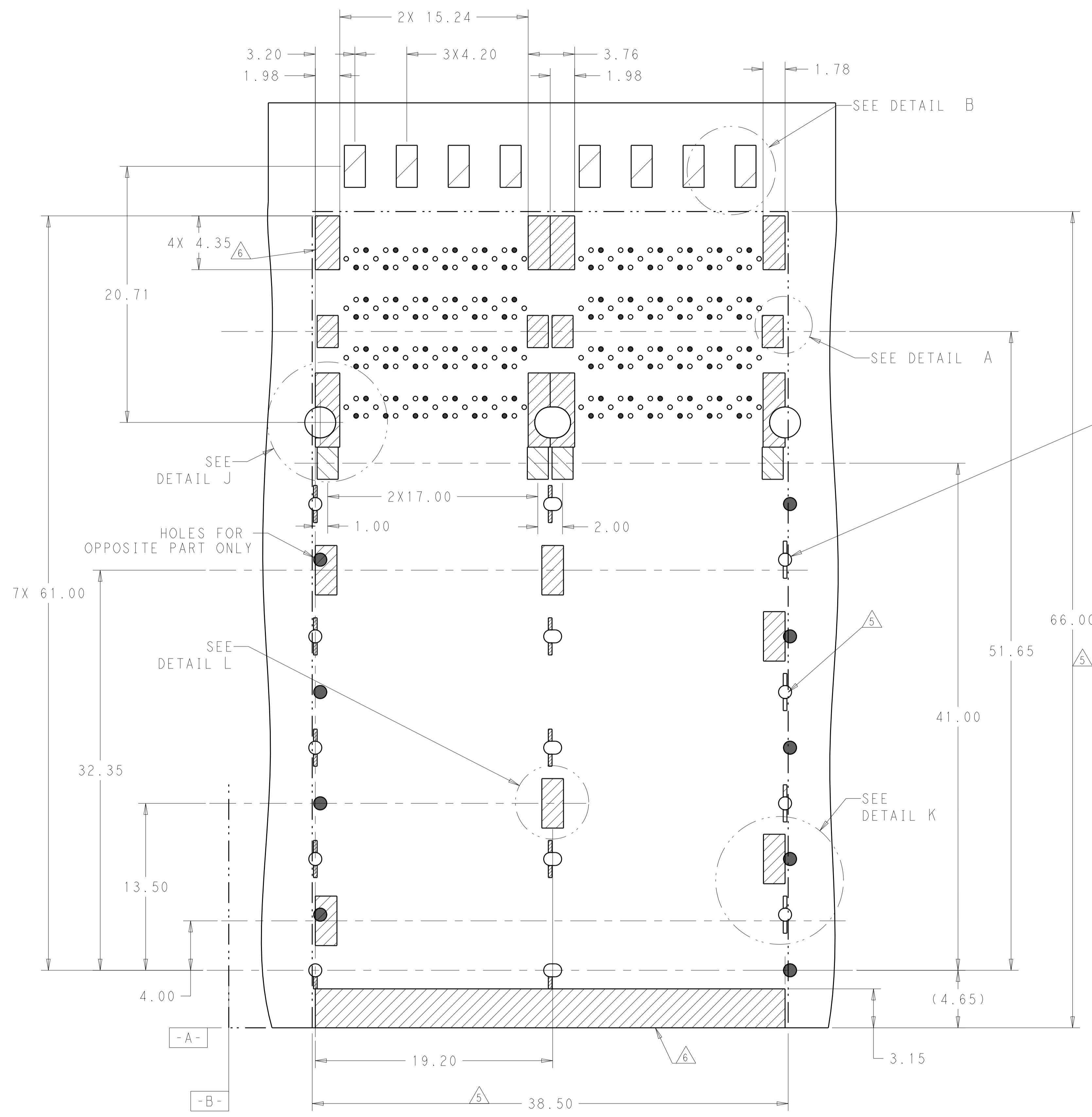


3X 4
 1.4 TYP
 0.7 TYP
 0.53
 $\phi 2.50 \pm 0.05$
 $\phi 0.1 \text{M CS}$
 -D-

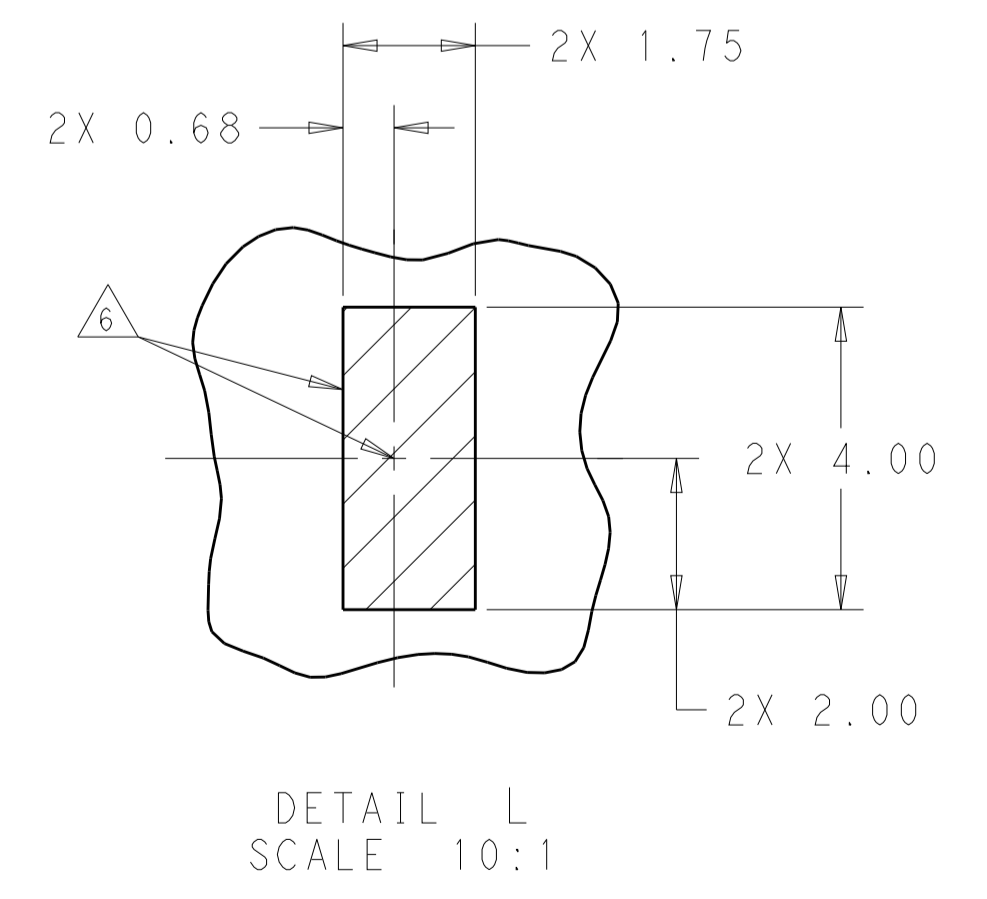
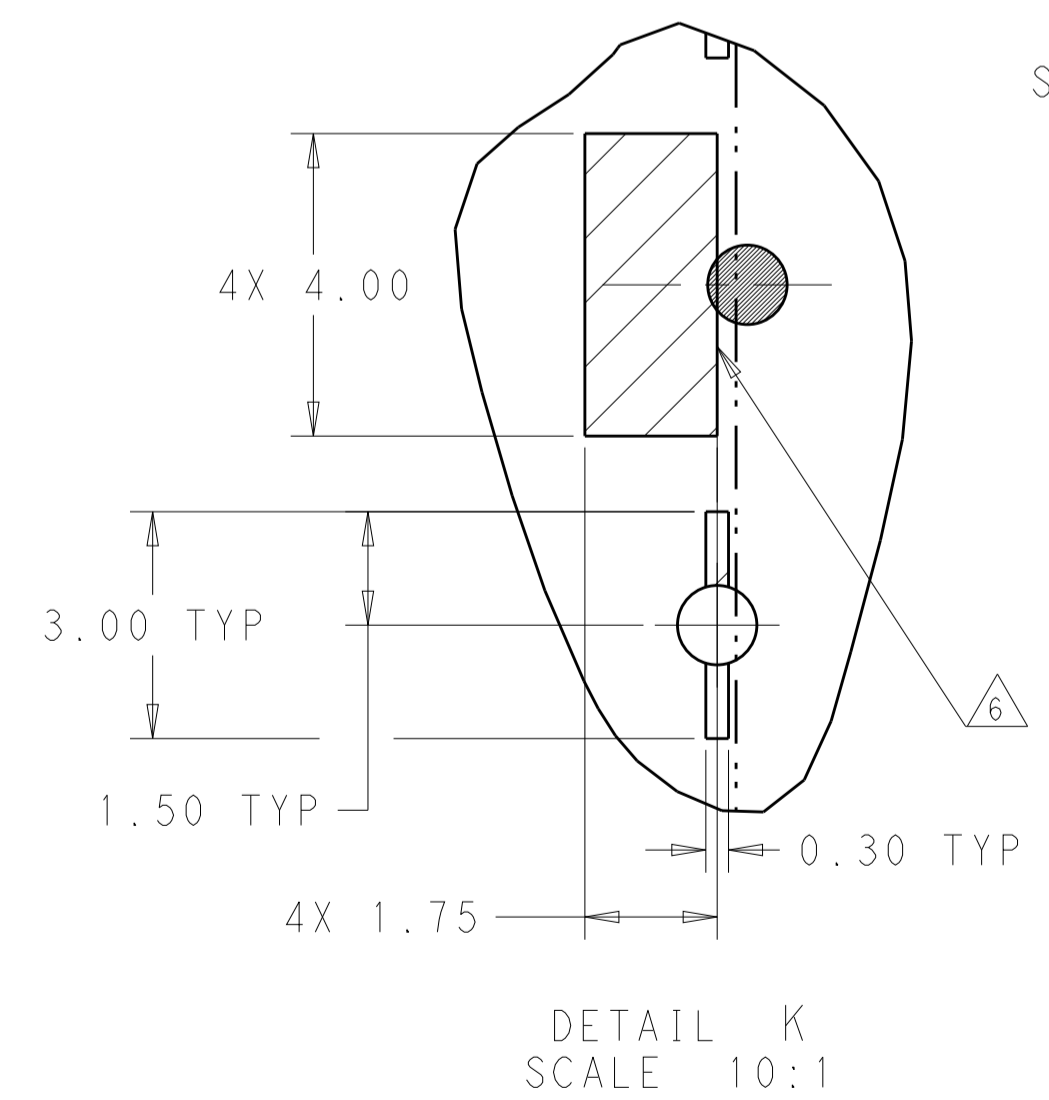
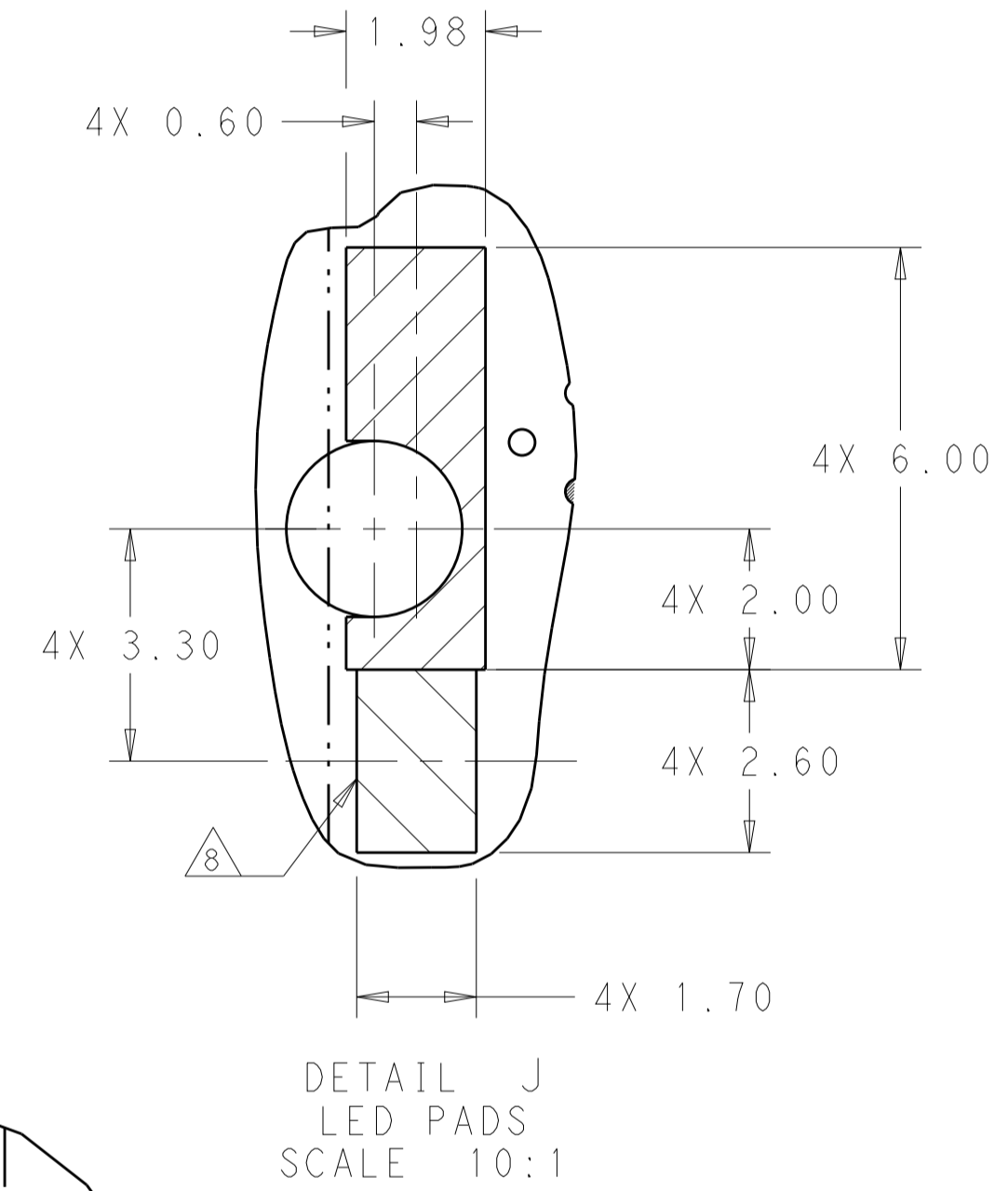
18X $\phi 1.05 \pm 0.05$
 $\phi 0.1 \text{M CS}$

| | | | | | |
|--|-------------|------------------|-----------|-----------|---|
| THIS DRAWING IS A CONTROLLED DOCUMENT. | | DMN | TIM XUE | 17AUG2016 | TE Connectivity |
| DIMENSIONS: | | CHK | SEAN HAN | 17AUG2016 | |
| mm | 0 PLC ± | APVD | SEAN HAN | 17AUG2016 | NAME zOSFP+ 2X2.4 INTERNAL LIGHT PIPES WITH EMI SPRING FINGERS, BELLY TO BELLY APPLICATION |
| | 1 PLC ±0.25 | PRODUCT SPEC | | | |
| | 2 PLC ±0.15 | APPLICATION SPEC | | | |
| | 3 PLC ± | SIZE | 114-60015 | CAGE CODE | |
| MATERIAL | FINISH | WEIGHT | | | RESTRICTED TO |
| SEE NOTE 1 | SEE NOTE 2 | CUSTOMER DRAWING | A100779 | C=2308171 | |
| | | | SCALE | 1:1 | SHEET 4 OF 5 |
| | | | REV | A | |

| LOC | DIST | REVISIONS | | | |
|-----|------|-----------|-------------|----|------|
| GP | 00 | REV | DATE | BY | APPD |
| | | 1 | SEE SHEET 1 | | |



OPTIONAL TO REMOVE THIS HOLE FOR 1-2308171-0 AND 1-2308171-1



KEEPOUT AREAS
 TOP COMPONENT SIDE OF BOARD
 (PCB TOLERANCE ±0.05)
 SCALE 5:1

| | | | |
|--|-------------|-----------------------------|---|
| THIS DRAWING IS A CONTROLLED DOCUMENT. | | OWN: TIM XUE 17AUG2016 | TE Connectivity |
| DIMENSIONS: mm | | CHK: SEAN HAN 17AUG2016 | |
| TOLERANCES UNLESS OTHERWISE SPECIFIED: | | APPD: SEAN HAN 17AUG2016 | NAME: zQSFP+ 2X2.4 INTERNAL LIGHT PIPES WITH EMI SPRING FINGERS, BELLY TO BELLY APPLICATION |
| 0 PLC ±0.25 | 1 PLC ±0.15 | PRODUCT SPEC: 108-60102 | SIZE: 114-60015 |
| 2 PLC ±0.15 | 3 PLC ±0.15 | APPLICATION SPEC: 114-60015 | WEIGHT: - |
| 4 PLC ±0.15 | 5 PLC ±0.15 | FINISH: - | CAGE CODE: A100779 |
| ANGLES ±0.15 | FINISH: - | SEE NOTE 1 | SEE NOTE 2 |
| MATERIAL: - | | CUSTOMER DRAWING | SCALE: 1:1 |
| SHEET 5 OF 5 | | REV A | |