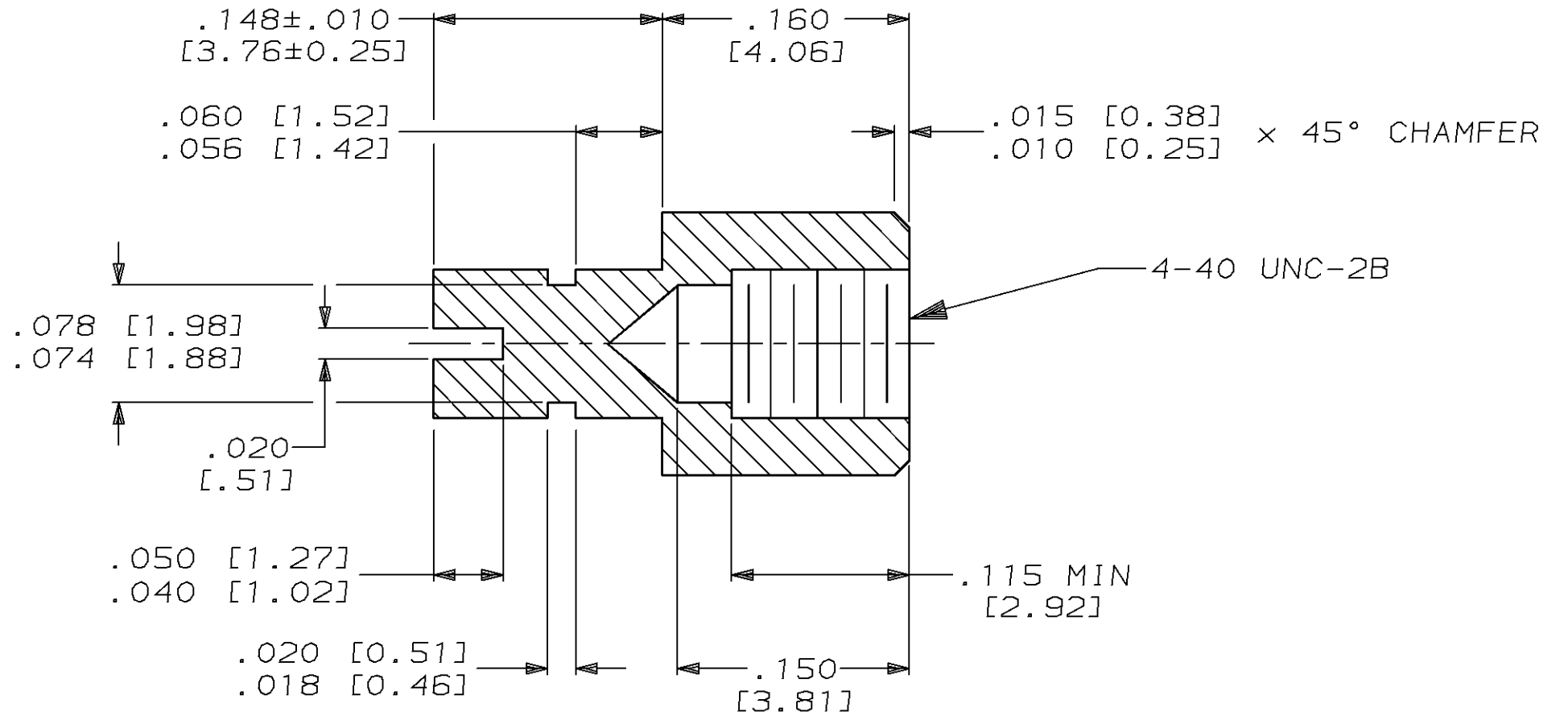
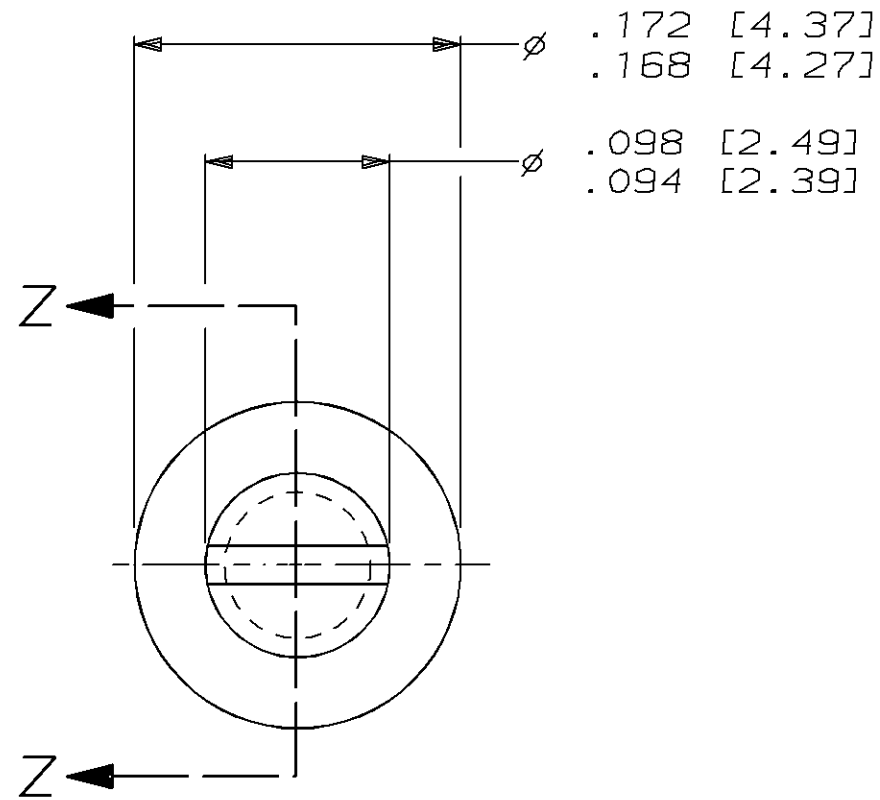


THIS DRAWING IS UNPUBLISHED. RELEASED FOR PUBLICATION, 19 .  
© COPYRIGHT 19 BY AMP INCORPORATED. ALL INTERNATIONAL RIGHTS RESERVED.

PROD	LOC	DIST	P	F	ZONE	LTR	REVISIONS		
5380	DF	F0				0	DESCRIPTION	DATE	APPD
CODE							REL PER 0600-2440-94 TA	7-14-94	DG



- 1 STAINLESS STEEL PER ASTM-A-582.
- 2 PASSIVATED PER QQ-P-35.

449870-1  
PART NUMBER

DO NOT SCALE PRINT. UNLESS SPECIFIED DIMENSIONS IN mm [INCHES] TOLERANCES ON: 2 PLC DEC ± - 3 PLC DEC ± .005 [0.13] ANGLES ± -	DR 7-12-94 T. ALEXANDER
	CHK 7-14-94 D. GUTTER
	APPD 7-14-94 D. GUTTER
	APPD 7-14-94 T. ALEXANDER
MATERIAL 1	PRODUCT SPEC -
FINISH 2	APPLICATION SPEC -
	WEIGHT -

<b>AMP</b> AMP Incorporated Harrisburg, PA 17105-3608		
NAME MINI-BOX, JACKSCREW, FEMALE, TURNABLE		
SIZE B	CAGE CODE 00779	DRAWING NO C-449870
SCALE 10:1	SHEET 1 OF 1	

THIS DRAWING IS A CONTROLLED DOCUMENT FOR AMP INCORPORATED. IT IS SUBJECT TO CHANGE AND THE CONTROLLING ENGINEERING ORGANIZATION SHOULD BE CONTACTED FOR THE LATEST REVISION.