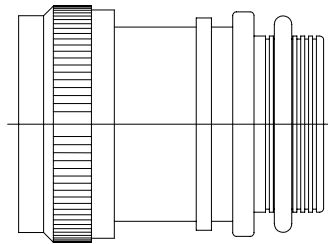


REVISIONS			
LTR	DESCRIPTION	DATE	APPROVED
D	REVISED PER ECN AD93073		



CODE 61 TINEL-LOCK ADAPTER

NOTES:

1. THIS PRODUCT IS DESIGNED TO TERMINATE A BRAIDED CABLE SHIELD AND A HEAT SHRINKABLE LIPPED BOOT TO A CONNECTOR.
2. SEE CH00-0250-008 FOR ORDERING INFORMATION, MODIFICATIONS AND ADDITIONAL DIMENSIONS.
- ③ SEE DRAWING "TR" FOR DETAILS ON TINEL-LOCK RING. RINGS ARE DESIGNED TO BE HEATED ELECTRICALLY. ALL RINGS ARE MARKED WITH THERMOCHROMIC PAINT WHICH CHANGES COLOR WHEN INSTALLATION TEMPERATURE IS REACHED.
4. ADAPTER TO BE PERMANENTLY MARKED WITH CODE IDENT. NO. AND PART NO. LESS RING DESIGNATOR (E.G.: 06090-TXR61AB00-1206). RINGS SHALL BEAR NO MARKING.
- ⑤ FOR LARGER ENTRY SIZES, A 2 PIECE ADAPTER (TYPE II) IS SUPPLIED.
- ⑥ ADAPTER MATES TO MIL-C-81511, SERIES 1, 2, 3 AND 4, CLASS A, C, E, F, P AND T, M81511/1, /5, /6, /21, /23, /25, /26, /31, /32, /33, /34, /35, /36, /37, /38, /45, /46, /49, /51, /53, /55 AND /56 CONNECTORS.
- ⑦ THESE DIMENSIONS APPLY IF A SELF-LOCKING COUPLING NUT IS USED. (MOD. CODE "S").

If this document is printed it becomes uncontrolled.
Check for the latest revision.

SPECIFICATION CONTROL DRAWING

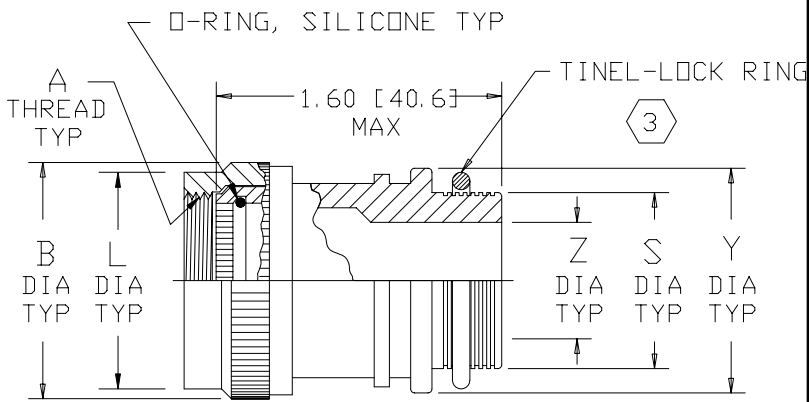
UNLESS OTHERWISE SPECIFIED DIMENSIONS ARE IN INCHES. METRIC DIMENSIONS ARE IN BRACKETS.

DECIMALS
 .XXX ± — [mm]
 .XX ± — [mm]
 .X ± — [mm]

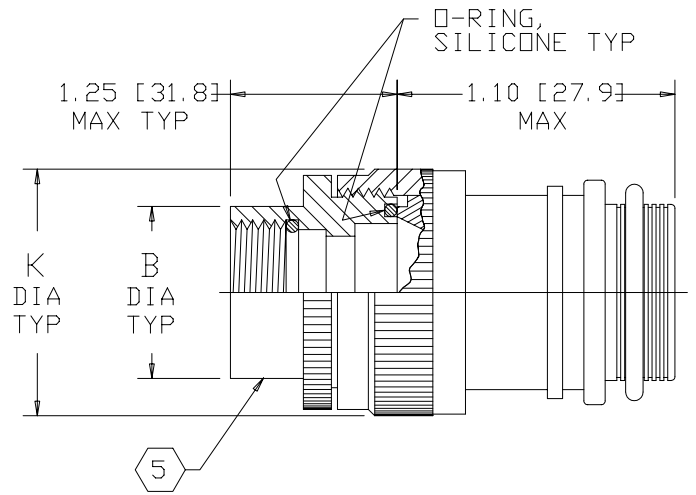
ANGLES
 .X ± —

DRAWN E. GOLDY	DATE 07-23-93
CHECKED	DATE
APPROVED	DATE
APPROVED	DATE
CAD NAME \ACAD12\TXR61	
THIRD ANGLE PROJECTION	

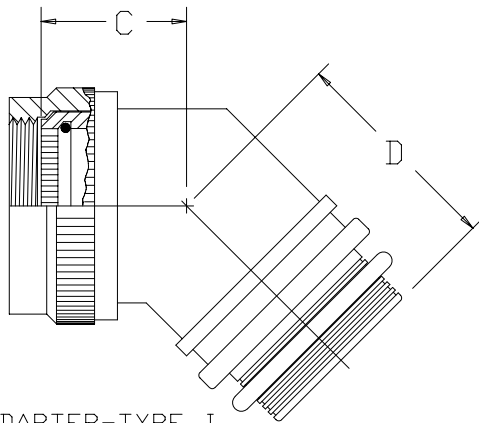
tyco Electronics		Tyco Electronics Corporation 300 Constitution Drive Menlo Park, CA. 94025 U.S.A.		Raychem	
TITLE TINEL-LOCK™ ADAPTER					
SIZE A	CODE IDENT. NO. 06090	DWG. NO. TXR61	REV D		
DO NOT SCALE THIS DWG			SHEET 1 OF 3		



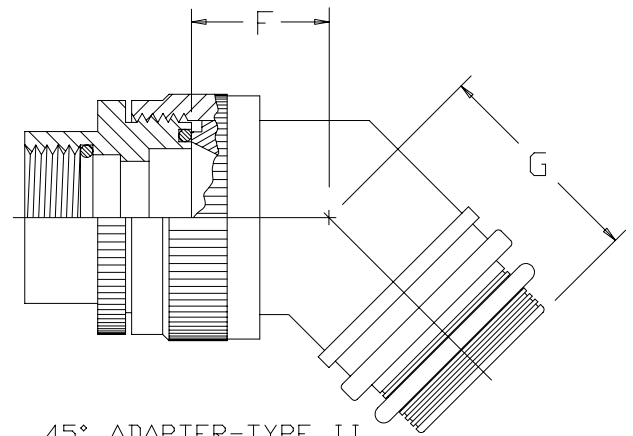
STRAIGHT ADAPTER-TYPE I



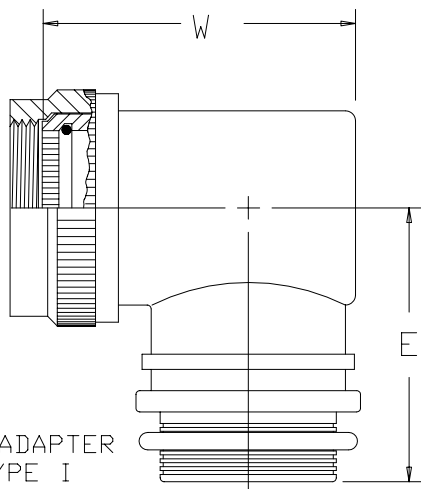
STRAIGHT ADAPTER-TYPE II



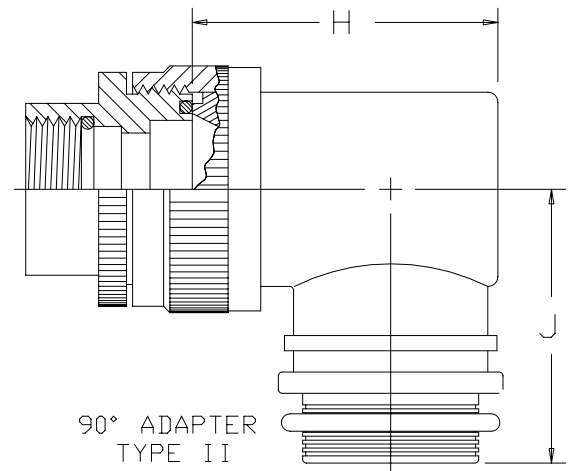
45° ADAPTER-TYPE I



45° ADAPTER-TYPE II



90° ADAPTER
TYPE I



90° ADAPTER
TYPE II

If this document is printed it becomes uncontrolled.
Check for the latest revision.

SIZE A	CODE 06090	IDENT. NO.	DWG. NO. TXR61	REV D
DO NOT SCALE THIS DWG		CAD NAME \ACAD12\TXR61-2		SHEET 2 OF 3


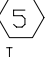

TABLE I										
ORDER NO.	SHELL SIZE 		MAX ENTRY SIZE TYPE I 	A UNIFIED THD CLASS 2B	B DIA MAX	B DIA MAX 	C MAX	D MAX	E MAX	L MAX
	COML	MIL								
08	8	A	06	.500-28 UNEF	.86 [21.8]	1.05 [26.7]	1.10 [27.9]	.93 [23.6]	1.18 [30.0]	.57 [14.5]
10	10	B	08	.625-28 UN	.98 [24.9]	1.17 [29.7]	1.12 [28.4]	.96 [24.4]	1.25 [31.8]	.70 [17.8]
14	14	D	12	.875-28 UN	1.23 [31.2]	1.42 [36.1]	1.18 [30.0]	1.00 [25.4]	1.37 [34.8]	.95 [24.1]
16	16	E	14	1.000-28 UN	1.36 [34.5]	1.55 [39.4]	1.20 [30.5]	1.02 [25.9]	1.44 [36.6]	1.07 [27.2]
18	18	F	16	1.125-28 UN	1.48 [37.6]	1.67 [42.4]	1.23 [31.2]	1.05 [26.7]	1.50 [38.1]	1.20 [30.5]
20	20	G	18	1.250-28 UN	1.63 [41.4]	1.82 [46.2]	1.25 [31.8]	1.08 [27.4]	1.57 [39.9]	1.32 [33.5]
22	22	H	20	1.375-28 UN	1.73 [43.9]	1.92 [48.8]	1.28 [32.5]	1.10 [27.9]	1.62 [41.1]	1.45 [36.8]
24	24	J	22	1.500-28 UN	1.86 [47.2]	2.05 [52.0]	1.30 [33.0]	1.14 [29.0]	1.68 [42.7]	1.57 [39.9]

TABLE II									
ENTRY SIZE	Z +.010 -.020	S DIA	Y ±.015 [±0.38]	W MAX	F MAX	G MAX	H MAX	J MAX	K MAX
04	.250 [6.35]	.376 [9.56] .370 [9.39]	.550 [13.97]	1.39 [35.3]	N/A	N/A	N/A	N/A	N/A
05	.312 [7.92]	.438 [11.13] .432 [10.97]	.612 [15.54]	1.46 [37.1]	N/A	N/A	N/A	N/A	N/A
06	.375 [9.52]	.501 [12.73] .495 [12.57]	.675 [17.14]	1.52 [38.6]	N/A	N/A	N/A	N/A	N/A
07	.437 [11.09]	.563 [14.31] .556 [14.12]	.737 [18.71]	1.58 [40.1]	.80 [20.3]	.95 [24.1]	1.38 [35.1]	1.22 [31.0]	.92 [23.4]
08	.500 [12.70]	.626 [15.91] .619 [15.72]	.800 [20.32]	1.64 [41.7]	.80 [20.3]	.95 [24.1]	1.38 [35.1]	1.22 [31.0]	.92 [23.4]
10	.625 [15.87]	.752 [19.11] .742 [18.84]	.925 [23.49]	1.77 [45.0]	.84 [21.3]	1.00 [25.4]	1.51 [38.4]	1.35 [34.3]	1.18 [30.0]
12	.750 [19.05]	.877 [22.28] .867 [22.02]	1.050 [26.67]	1.89 [48.0]	.86 [21.8]	1.01 [25.7]	1.63 [41.4]	1.40 [35.6]	1.35 [34.3]
14	.875 [22.23]	1.002 [25.46] .991 [25.17]	1.175 [29.84]	2.02 [51.3]	.88 [22.4]	1.04 [26.4]	1.78 [45.2]	1.46 [37.1]	1.41 [35.8]
16	1.000 [25.40]	1.127 [28.63] 1.116 [28.34]	1.300 [33.02]	2.14 [54.4]	.91 [23.1]	1.06 [26.9]	1.88 [47.8]	1.53 [38.9]	1.60 [40.6]
18	1.125 [28.57]	1.252 [31.81] 1.241 [31.52]	1.425 [36.19]	2.27 [57.7]	.93 [23.6]	1.09 [27.7]	2.01 [51.1]	1.59 [40.4]	1.66 [42.2]
20	1.250 [31.75]	1.377 [34.98] 1.366 [34.69]	1.550 [39.37]	2.39 [60.7]	.98 [24.9]	1.13 [28.7]	2.13 [54.1]	1.78 [45.2]	2.04 [51.8]
22	1.375 [34.93]	1.502 [38.15] 1.488 [37.79]	1.675 [42.55]	2.62 [66.5]	1.03 [26.2]	1.38 [35.1]	2.29 [58.2]	1.85 [47.0]	2.23 [56.6]
24	1.500 [38.10]	1.627 [41.33] 1.613 [40.97]	1.800 [45.72]	N/A	1.08 [27.4]	1.44 [36.6]	2.42 [61.5]	1.92 [48.8]	2.23 [56.6]

If this document is printed it becomes uncontrolled.
Check for the latest revision.

SIZE A	CODE IDENT. NO. 06090	DWG. NO. TXR61	REV D
DO NOT SCALE THIS DWG		CAD NAME XACAD\TXR61-3	SHEET 3 OF 3