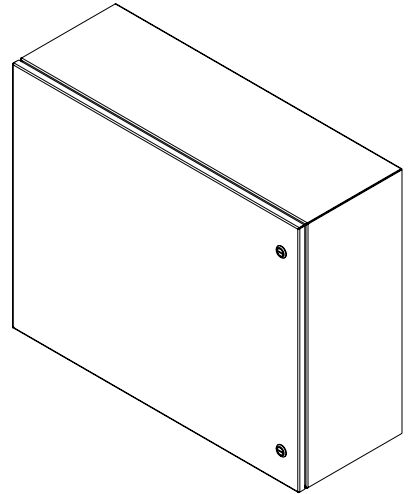


**PART No. EN4SD243010SS**  
 for more information visit  
[www.hammg.com](http://www.hammg.com)  
 Data subject to change without notice  
 Isometric drawing Not to Scale



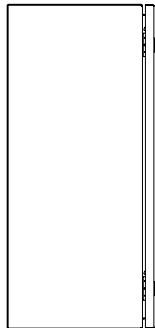
TOP VIEW



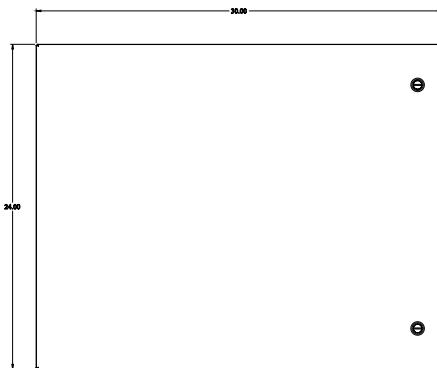
ISOMETRIC VIEW



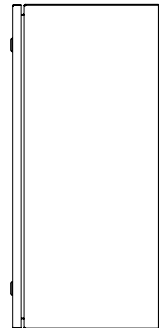
BACK VIEW



LEFT SIDE VIEW



FRONT VIEW



RIGHT SIDE VIEW



BOTTOM VIEW