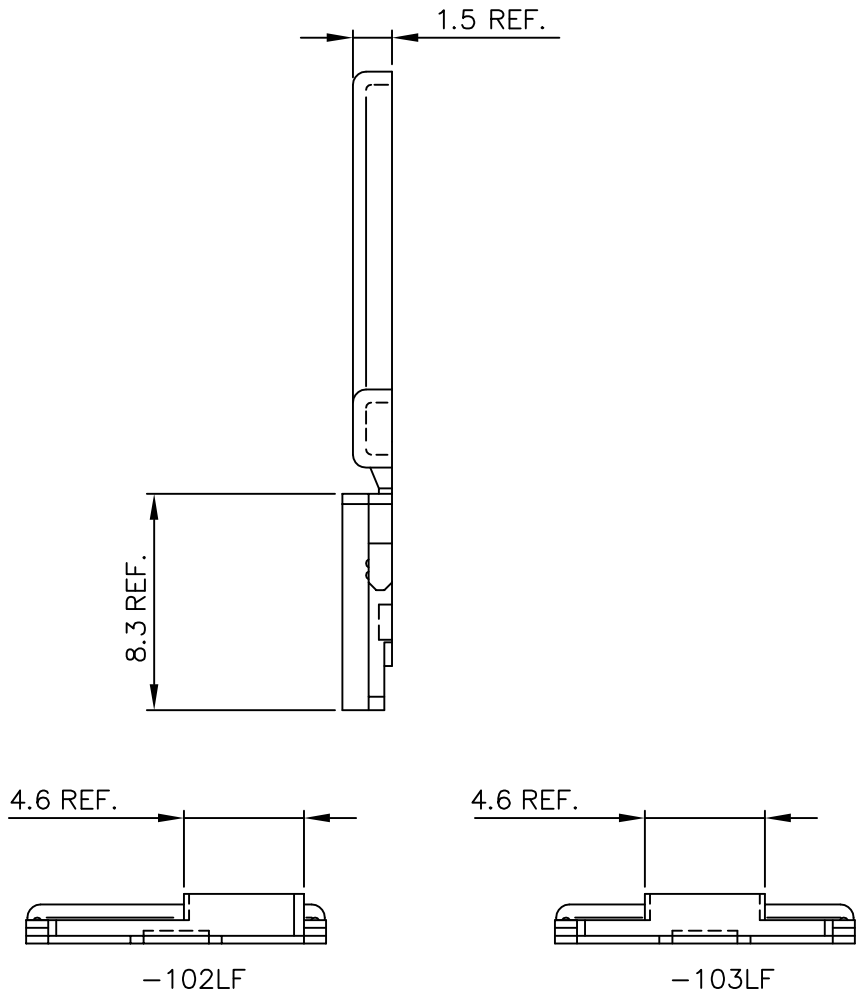
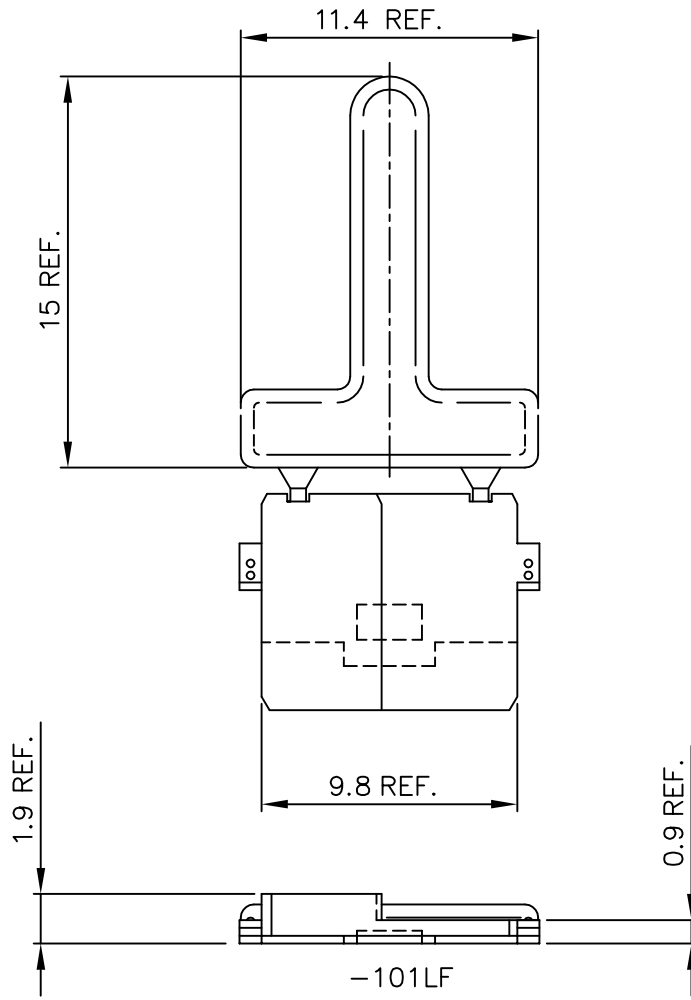


Tous droits strictement réservés. Reproduction ou communication o des tiers interdite sous quelque forme que ce soit sans autorisation écrite du propriétaire.
 Property of FCI b.v. © FCI b.v.
 Reproduction or issue to third parties in any form, whatever is not permitted without written authority from the proprietor.
 Property of FCI b.v. © FCI b.v.

PRODUCT NUMBER	DESCRIPTION	COLOR
85814-101LF	RIGHT FEMALE KEY	BLUE
85814-102LF	LEFT FEMALE KEY	PINK
85814-103LF	MIDDLE FEMALE KEY	BROWN



NOTES:

- MATERIAL: LIQUID CRYSTAL POLYMER. FLAMERETARDANT ACC. UL 94-VO. 30% GLASS FILLED, COLOR SEE TABLE.
- THIS PRODUCT WITH "LF" SUFFIX MEETS EUROPEAN UNION DIRECTIVES AND OTHER COUNTRY REGULATIONS AS DESCRIBED IN GS -22-008.
- THE PRODUCT IS NOT INTENDED TO BE EXPOSED TO A MANUFACTURING SOLDER PROCESS.

mat'l. code		tolerances unless otherwise specified			CUSTOMER COPY	ELECTRONICS www.fciconnect.com	
SEE NOTE 1							
ltr	ecn no	dr	date		projection	title	
A	H40101	VWO	940211	linear		FEMALE KEY	
B	H40259	VWO	940420			HALF, EXTENDED	
C	H40487	DDB	940729	angles		product family	code
D	H40545	VWO	940831	dr H v Woensel 940211		CENTRAL (tm)	213
E	H40642	DAN	941028	eng H v Woensel 940211		size	sheet
F	H50073	RVI	950201	chr H Coolijmans 940211		dwg no	1 of 1
G	bc05-0392	CLu	051017	app H v Woensel 940211	scale	A3	
					5:1	85814	
sheet	revision	G					
index	sheet	1					