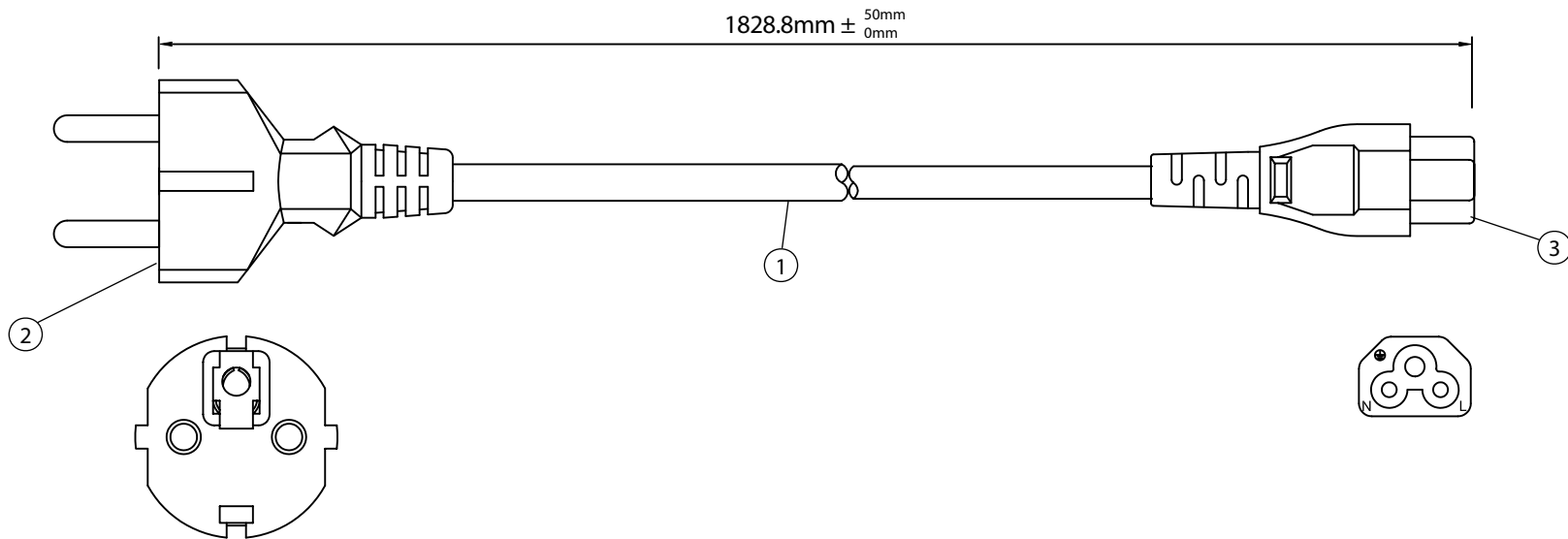


THESE DRAWINGS ARE THE PROPERTY OF QUALTEK ELECTRONICS AND NOT TO BE REPRODUCED FOR OR COMMUNICATED TO A THIRD PARTY WITHOUT THE EXPRESS WRITTEN PERMISSION OF AN OFFICER OF QUALTEK ELECTRONICS.

REVISION			
REV.	DESCRIPTION	DATE	APPROVED



CONTROLLED

NOTES:

1. CORDAGE: H03VV-F, 3x0.75mm², UNSHIELDED CEE COLOR CODE, TEMP. RATING: 70°C, RATING: 250V 2.5A, JACKET COLOR: BLACK
2. PLUG: CEE 7/VII
3. CONNECTOR: IEC 60320 C5
4. APPROVALS: CB, GERMANY, DENMARK, NORWAY, FINLAND, BELGIUM, NETHERLANDS, SWEDEN, AUSTRIA,
5. ROHS COMPLIANT

Dim range (mm)	Tolerance +/- (mm)	Qualtek Electronics Corp. PPC DIVISION		
0-1	0.15	Part Number: 364012-01		
1-6	0.20	Description: POWER CORD		
6-18	0.30	RFQ# 2677A	UNIT: mm	
18-50	0.50	Drawn / Date	Checked / Date	Approved / Date
50-120	0.70	R. Nuti 07-29-13	07-29-13	LY / 07-29-13
120-250	0.90			
250-500	1.20			