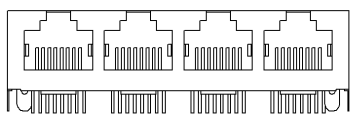
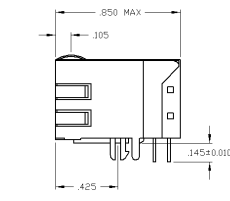
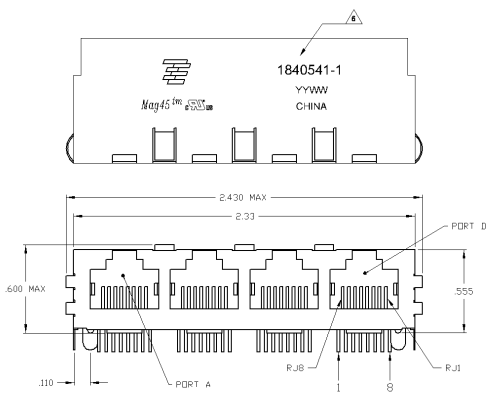
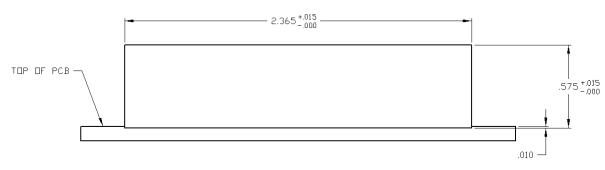


MECHANICAL:



P/N 1840541-3 SHOWN
NO PANEL GROUNDS



1X4 SUGGESTED PANEL CUTOUT

- △ MATERIALS:
 - HOUSING - THERMOPLASTIC PET POLYESTER FLAMMABILITY RATING UL 94V-0
 - SHIELD - .030" THICK, C26800 BRASS PREPLATED WITH 30μIN CH MIN SEMI-BRIGHT NICKEL
 - SOLDER TABS POST DIPPED WITH 50μIN CH MIN SAC SOLDER
 - MOD JACK CONTACTS - 0.0157 X 0.018" PHOSPHOR BRONZE, 50μIN CH MIN OVERALL NICKEL UNDERPLATE WITH SELECT 50μIN CH MIN HARD GOLD FINISH PLATE. SOLDER TAILS WITH 50μIN CH MIN MATTI TN AND/OR SAC SOLDER DIP
- △ RFS JACK CAVITY CONFORMS TO FCC RULES AND REGULATIONS PART 68, SUB PART F.
- △ MAGNETICS:
 - IMPEDANCE: 100 OHMS
 - TURNS RATIO (CHIP CABLE): TX x 11, RX x 11
 - OPEN CIRCUIT INDUCTANCE (O.C.I.): 350pH MIN @ 100MHz, 0.1VRMS
 - BIAS FROM 0°C TO 70°C, TX AND RX
 - PERFORMANCE @ 25°C:
 - INTEGRATION LOSS (IL): 1dB MAX FROM 0.5MHz TO 100MHz
 - RETURN LOSS (RL): 18dB MIN FROM 0.5MHz TO 100MHz
 - 18-20LOGE/50dB MIN FROM 30 MHz TO 60MHz
 - 12dB MIN FROM 60 MHz TO 30MHz
 - CROSSTALK ATTENUATION: 35dB MIN FROM 0.5MHz TO 40MHz
 - 33-20*LOGE/50dB MIN FROM 40 MHz TO 100MHz
 - COMMON MODE REJECTION RATIO (CMRR): 30dB MIN FROM 0.5MHz TO 100MHz
 - ISOLATION VOLTAGE: COMPLES WITH IEEE802.3-2002, PARA 23.5.1.1, ITEM b.

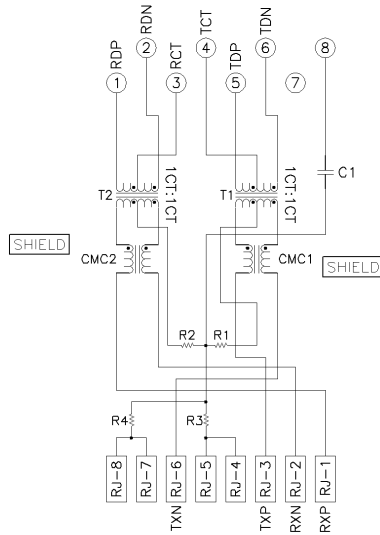
4. OPERATING TEMPERATURE: FROM 0°C TO +70°C
- △ INDICATED CONNECTIONS ARE FOR HUB CONFIGURATION. THE MAGNETICS ARE SYMMETRICAL, AND SUPPORT AUTO-HUB/MODX
- △ TYCO ELECTRONICS LOGO, PART NUMBER, DATE CODE, COUNTRY OF ORIGIN AND AGENCY APPROVAL MARKING IN APPROPRIATE LOCATION SHOWN
7. THESE PARTS ARE RECOMMENDED FOR WAVE SOLDERING PROCESS. PREHEAT TEMPERATURE IS 120°C TO 140°C, 10 SECONDS TO 180 SECONDS. PEAK WAVE SOLDERING TEMPERATURE IS 240°C MAX, 10 SECONDS MAX.

WITH HIGH IMPEDANCE COPE	0	1840541-3
	7	1840541-1
REMARK	PANEL GROUND TABS	PART NUMBER

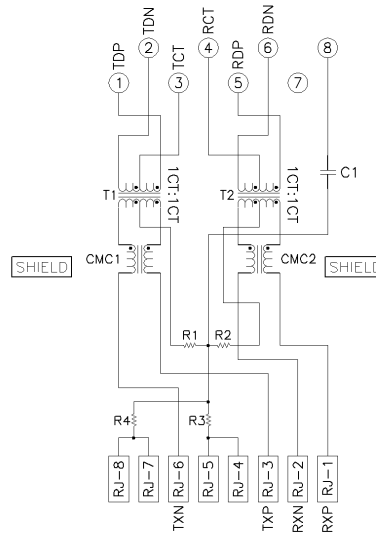
THIS DRAWING IS A CONTROLLED DOCUMENT.		DATE	BY	TYPE	DESCRIPTION
DATE	BY	DATE	BY	TYPE	DESCRIPTION
108-2100					1X4 MAG45(TN) MODULAR JACK, 7K1 SCHEMATIC, 786K1 SERIES CIRCUIT, SHIELDED, OPTIONAL PANEL GROUND TABS, DECOUPLING CAPACITOR, NO LEADS SEE TYPICAL DRAWING FOR DETAILS
100779					1840541
CUSTOMER DRAWING		REV	4-1	REV	1

ELECTRICAL:

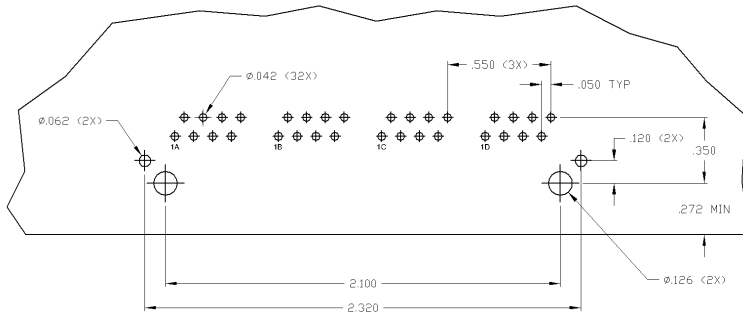
766K1 SERIES MAGNETIC CIRCUIT
PORTS A & C



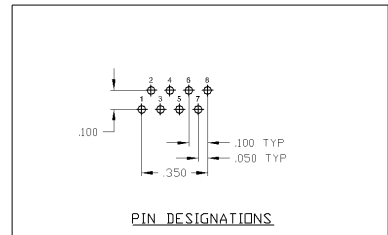
766K1 SERIES MAGNETIC CIRCUIT
PORTS B & D



C1 = 1000 pF, 3kV CAPACITOR
R1-R4 = 75 OHMS, 1/16W RESISTORS



SUGGESTED PCB LAYOUT
(Component Side)



THIS DRAWING IS A CONTROLLED DOCUMENT.		13 JUL 2007	13 JUL 2007	Type Electronics Corporation	
DATE		13 JUL 2007	13 JUL 2007	Customer: Chaffin, Ohio	
DESCRIPTION		174 MAG45(TN) MODULAR JACK, 7K1 SCHEMATIC	174 MAG45(TN) MODULAR JACK, 7K1 SCHEMATIC	766K1 SERIES CIRCUIT, SHIELDED, OPTIONAL PANEL	
MATERIAL		108-2100	108-2100	GROUND TABS, DECOUPLING CAPACITOR, NO LEADS	
PART		108-2100	108-2100	SEE [FOR ONE] DRAWING IN [REVISION]	
CUSTOMER DRAWING		AA	00	1840541	REV 4-1