

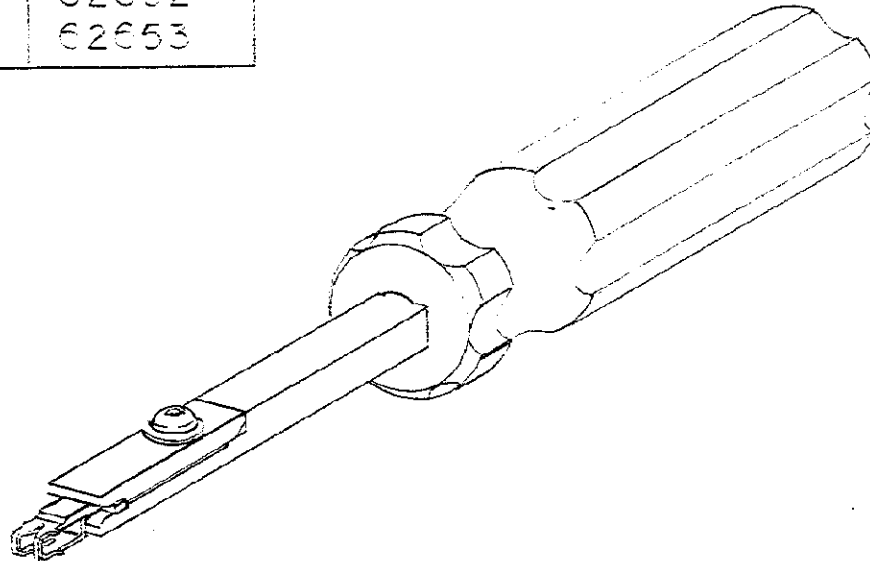
DRAWING MADE IN THIRD ANGLE PROJECTION

LOC **A** DIST

© COPYRIGHT 1977 BY AMP INCORPORATED, HARRISBURG, PA. ALL INTERNATIONAL RIGHTS RESERVED. AMP INCORPORATED PRODUCTS COVERED BY U.S. AND FOREIGN PATENTS AND /OR PATENTS PENDING.

REVISIONS				
LTR	DESCRIPTION	DATE	APPROVED	P/F
A	ADDED NOSE CHAMFER.	7-11-77	<i>[Signature]</i>	/
B	REVISED.	7-18-77	<i>[Signature]</i>	

TOOL NO.	TERM. NO.
	62600
274282-1	62651
	62652
	62653



"250" FASTON TAB

PART NO

UNLESS OTHERWISE SPECIFIED DIMENSIONS ARE IN INCHES. TOLERANCES ON:
 DECIMALS ± .005
 ANGLES ±

CONTRACT NO
 DR **M** 6-29-77
 CHK **B** 6/77



AMP INCORPORATED
 Harrisburg, Pa.

NAME
**TOOL,
 INSERTION**

M.W.I.C.
 TERM.

MATERIAL

APPD
 APPD

FINISH

DSGN APPD
 OTHER APPD

SIZE **A** CODE IDENT NO **00779** DRAWING NO **274282**

SCALE SHEET 1 of 1