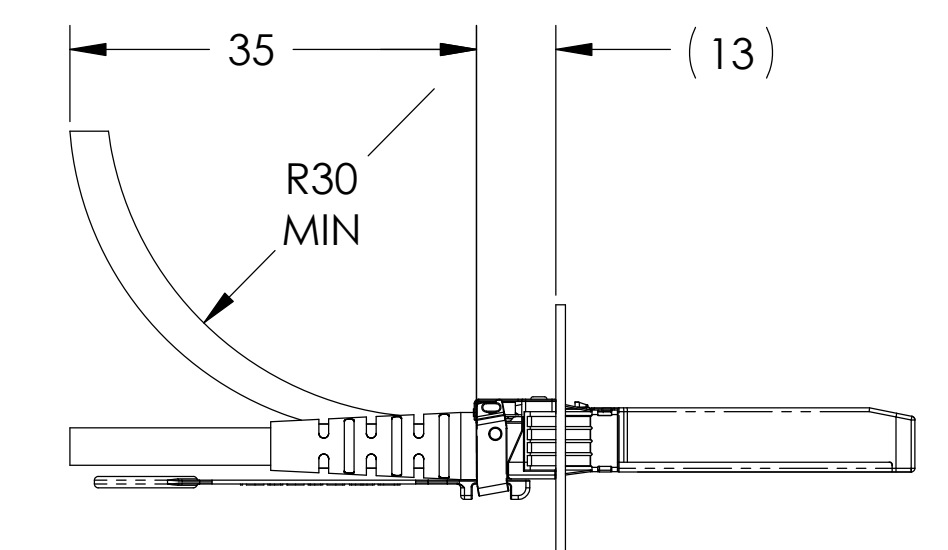
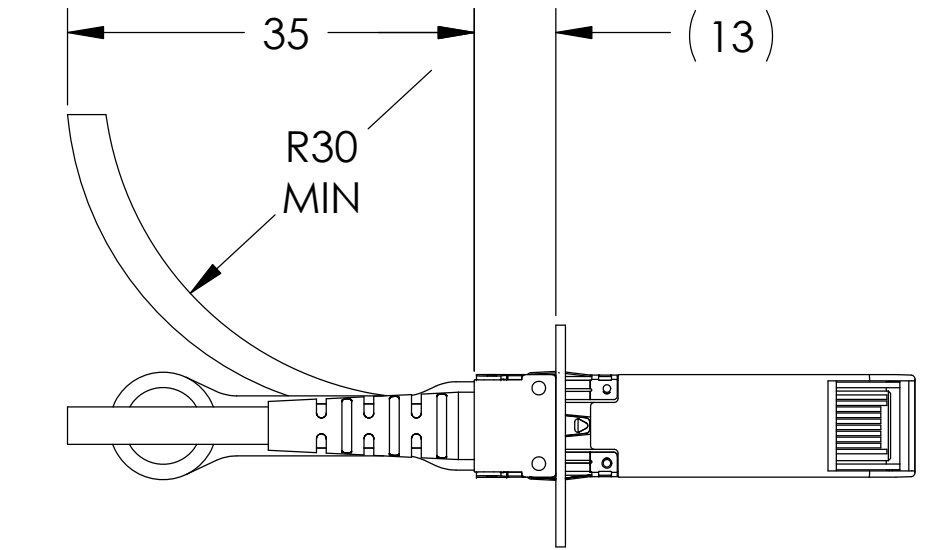
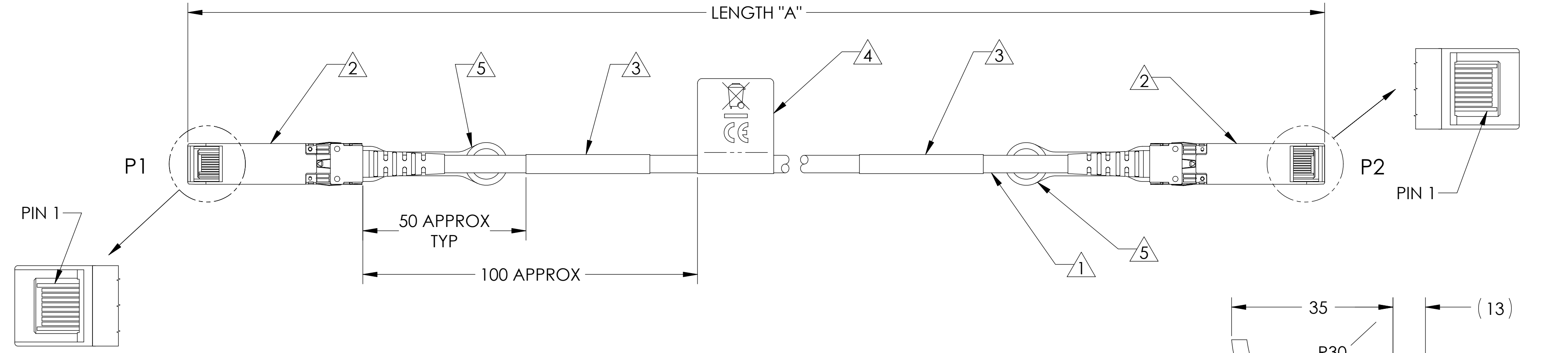


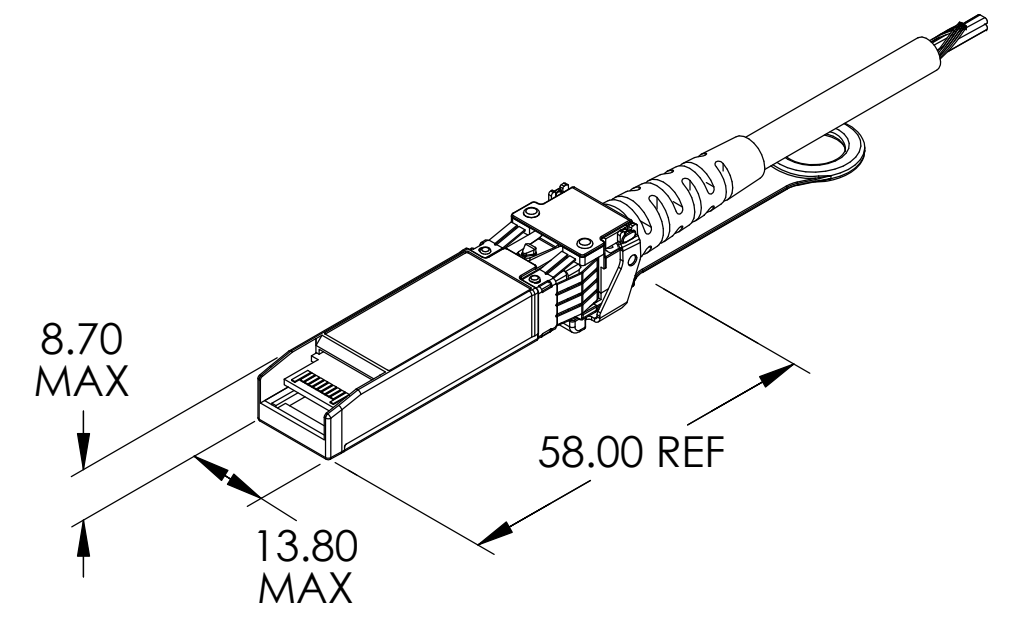
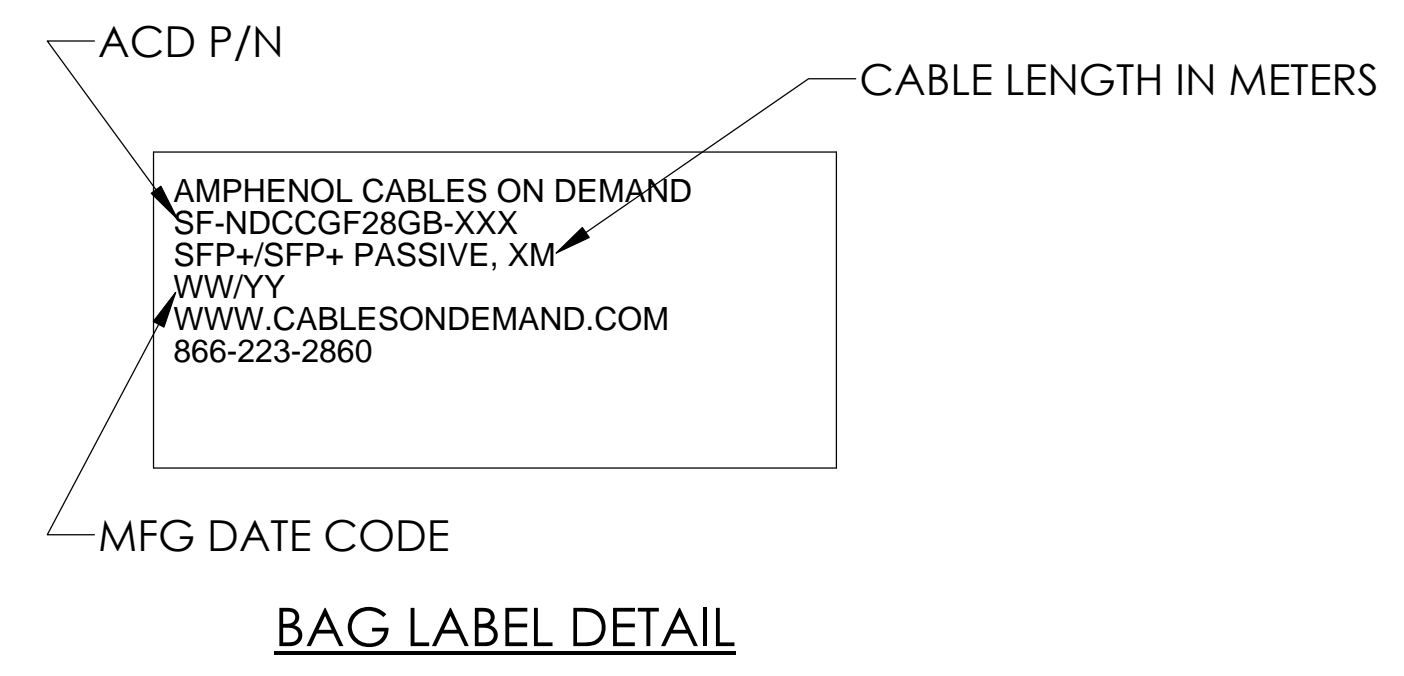
TABLE 1		
AHSP P/N	LENGTH "A" (MM)	CUSTOMER P/N
NDCCGJ-C102	5000 ±125	SF-NDCCGJ28GB-005M
NDCCGJ-C103	2000 ± 50	SF-NDCCGJ28GB-002M
NDCCGJ-C104	3000 ± 75	SF-NDCCGJ28GB-003M

REVISIONS			BY	DATE	APPROVED
ZONE	REV.	SCR NUMBER			
	A	DDYR-A3AQPR.VER01	-	10/15/2015	DC
	B				DD
ADDED 2M & 3M ASSEMBLY LENGTHS (TABLES 1 & 3)					

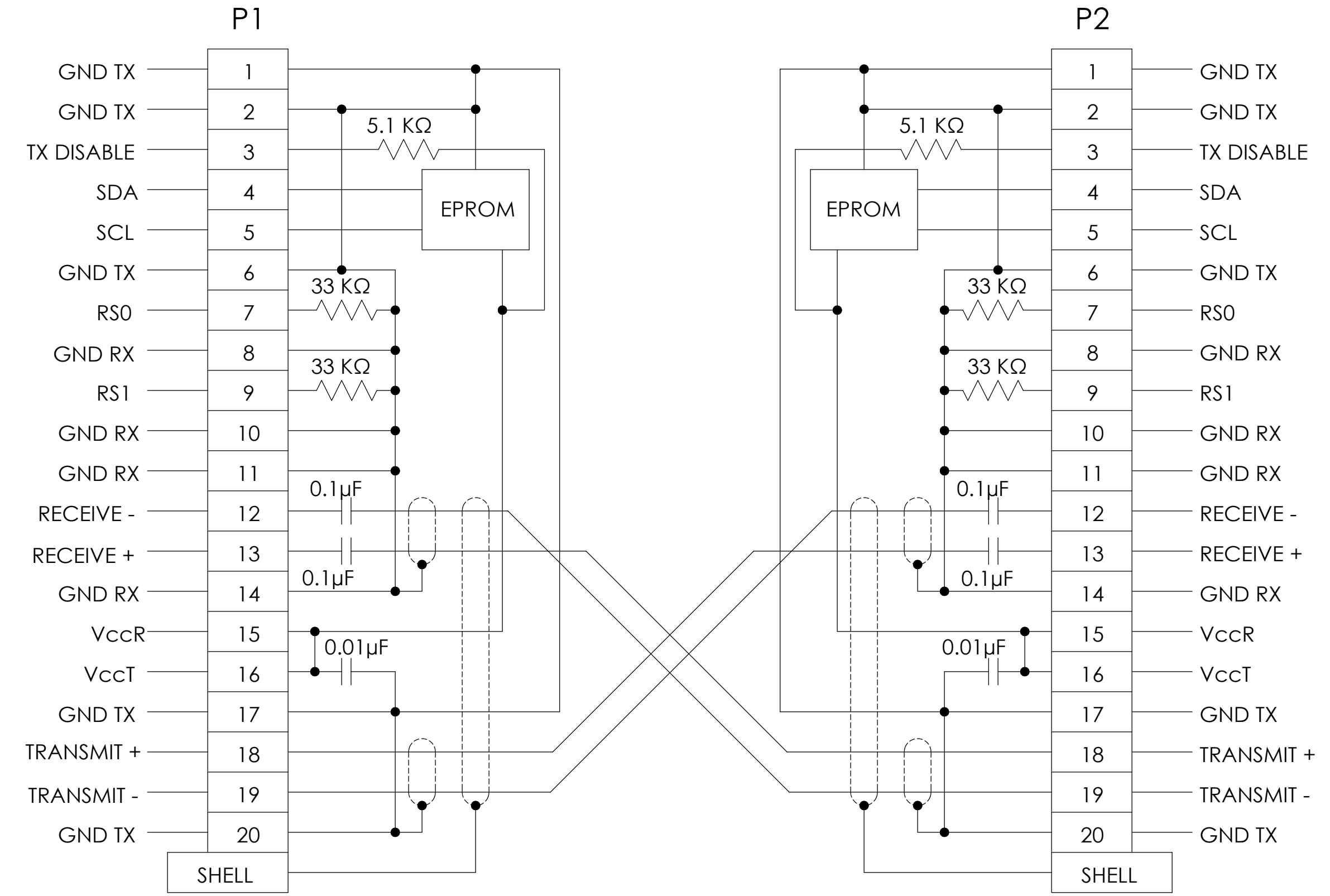
TABLE 2	
ITEM No.	DESCRIPTION
1	26 AWG EXD, 2-PR., PVC BLACK, AWM STYLE 20276 80°C VW-1
2	PLUG, SFP+, REFERENCE SFF-8432, PULL TO RELEASE
3	LABEL, WRAPPED - AHSP P/N, REV, DATE CODE, LENGTH, CoO, & SERIAL NUMBER
4	LABEL, FLAGGED - WEEE LOGO AND CE LOGO
5	LANYARD, GREEN



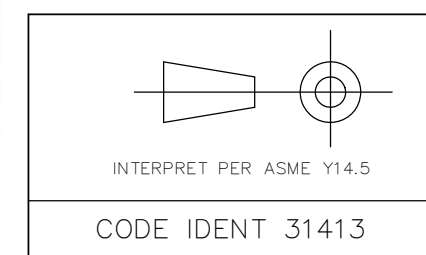
BEND DISTANCE FROM EDGE OF DIECAST



SFP+ DIECAST DIMENSIONS



- UL LABEL MUST BE ON SHIPPING CARTON PER SUBJECT 764 OF THE UL COMPONENT WIRING HARNESS (ZPFW2) FILE #E86140. CSA LABEL MUST BE ON SHIPPING CARTON.
 - PACKAGE COMPLETED ASSY IN AN APPROPRIATELY SIZED ESD BAG.
 - EPROM CONTENT SHALL BE COMPLIANT WITH SFF-8472 SPECIFICATION. EPROM REVISION IS EQUAL TO AHSP PART NUMBER REVISION UNLESS OTHERWISE NOTED.
 - CABLE ASSEMBLIES MUST MEET SHIELDING EFFECTIVENESS REQUIREMENTS OF 35dB MINIMUM FROM 1-10GHz AND 30dB FROM 10-18 GHz.
 - CABLE ASSEMBLIES, COMPONENTS AND SUB-COMPONENTS SHALL BE COMPLIANT TO EU DIRECTIVE 2011/65/EU-RoHS2.
 - ASSEMBLIES SHALL BE COMPLIANT TO SFF-8431 (APPENDIX E) SPECIFICATION.
 - THIS DRAWING IS RESERVED FOR AMPHENOL CABLES ON DEMAND.
- NOTES: UNLESS OTHERWISE SPECIFIED



TOLERANCES	DWN	CHK	APVD	EM
0.0	± 0.25			
0.00	± 0.08			
ANGLES	± 1.0°			

UNLESS OTHERWISE SPECIFIED DIMENSIONS ARE IN MM

THESE DRAWINGS AND SPECIFICATIONS ARE THE PROPERTY OF AMPHENOL CORPORATION AND SHALL NOT BE REPRODUCED OR COPIED OR USED AS THE BASIS FOR THE MANUFACTURE OR SALE OF APPARATUS WITHOUT THE WRITTEN PERMISSION OF AMPHENOL CORPORATION

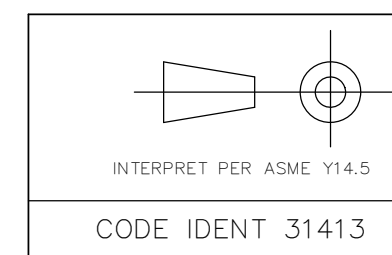
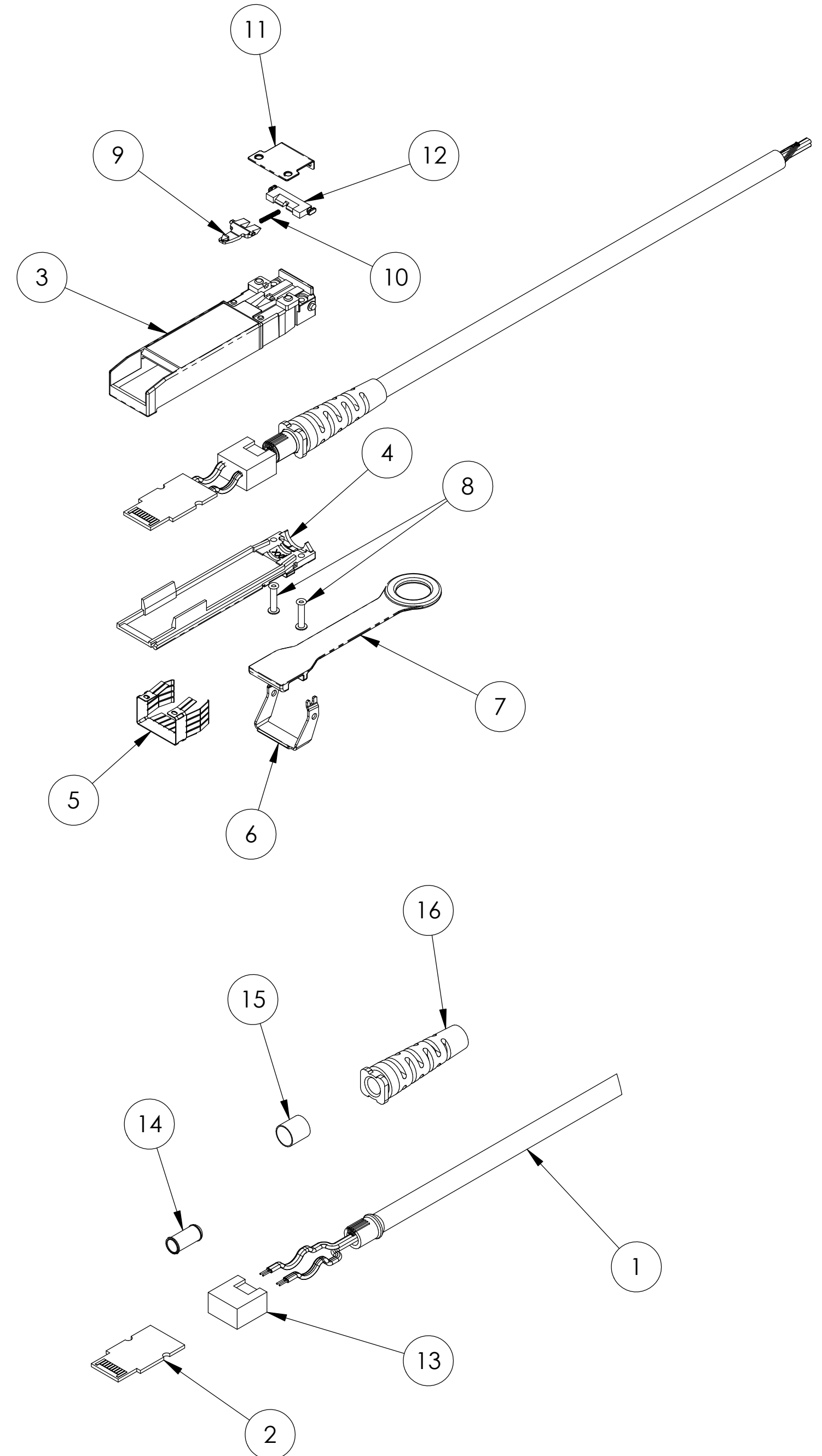
Amphenol AHSP A Division of Amphenol Corporation 200 Innovative Way, Suite 201, Nashua, N.H. 03062 (603) 879-3000	
TITLE	CABLE ASSEMBLY, SFP+/SFP+, 28Gbps, PASSIVE, 100Ω, 26 AWG EXD
PART NO.	SEE TABLE 3
DRAWING NO.	P-NDCCGJ-C199
SIZE	D
SCALE	1:1
SHEET	1 OF 2

TABLE 3				
AHSP P/N	AHSP REV	CUT LENGTH "A"	HAND SOLDER	AUTO SOLDER
NDCCGJ-C102	A	16.45 FT	Y	Y
NDCCGJ-C103	A	6.61 FT	Y	Y
NDCCGJ-C104	A	9.89 FT	Y	Y

REVISIONS					
ZONE	REV.	SCR NUMBER	DESCRIPTION	BY	DATE
			SEE SHEET 1		

TABLE 4 - PARTS LIST FOR 26AWG ASSEMBLIES					
ITEM	AHSP P/N	AHSP P/N	DESCRIPTION	QUANTITY	U of M
1	023-0010-034	1602699963	CABLE RND 2PR 26AWG EXD	SEE CUT LENGTH 'A' IN TBL 3	FT
2	023-P075-028	NA	PCBA SFP 26AWG HF	2	EA
3	023-P020-006	612440005	HSG DIECAST SFP .235 CBL	2	EA
4	023-P030-005	612420005	CVR DIECAST SPRING GROUND COPPER SFP AMPHENOL	2	EA
5	023-0000-036	601140001	GROUND FINGERS SFP 268 BRASS	2	EA
6	023-P000-001	613250001	BALE RELEASE (U-CLIP) SFP+ SS304	2	EA
7	023-0080-025	NA	LANYARD SFP PULL TO RELEASE GRN AMPH 2.0	2	EA
8	023-0000-035	580000001	RIVER SEMI-TUBULAR OVAL HEAD STEEL	4	EA
9	023-0000-038	605160002	LATCH POST DIECAST SFP RETRACTABLE	2	EA
10	023-0000-039	605560001	SPRING COMPRESSION SFP LEE CI006AA04M	2	EA
11	023-0000-042	606480001	CVR LATCH RELEASE SFP GEN2 SS301	2	EA
12	023-0000-043	606570001	LATCH RELEASE DIECAST SLIDE SFP GEN2	2	EA
13	023-0000-015	532320001	ADH HOT MELT AMBER 430F 3M 3779-PG	0.004	LB
14	023-P110-004	615430004	FERRULE SFP 24AWG	2	EA
15	023-0000-017	24832	TAPE COPPER 1/4 CONDUCTIVE CCH-36-101-0025	0.14	FT
16	023-S100-010	615280010	STRAIN RELIEF SHORT EMC 30G .240	2	EA
17	023-0130-001	613880001	DUST COVER SFP BLUE	2	EA
18	527-4882-000	NA	AHSP STANDARD CABLE LABEL	2	EA
19	527-4938-000	NA	LABEL WEEE/CE HF	1	EA
20	527-4986-000	NA	ACD CUST BAG LABEL	1	EA

TABLE 5 - AMPHENOL SPECIFICATIONS	
ACS-1152	AMPHENOL REGULATED MATERIALS
ACS-1186	LEAD-FREE SOLDER
ACS-1199	HIGH SPEED ASSEMBLY TEST
TMS 115-0001	CABLE ASSEMBLY MFG PROCESS
ACS-1210	STANDARD SPECIFICATIONS FOR WEEE, CHINA RoHS AND CE LABELS
ACS-1154	EPROM PROGRAMMING



TOLERANCES	DWN	CHK	APVD	EM
0.0	± 0.25	10/12/2015	DC	
0.00	± 0.08	10/12/2015	DD	
	±	10/12/2015		
ANGLES	± 1.0°			

UNLESS OTHERWISE SPECIFIED DIMENSIONS ARE IN MM

THESE DRAWINGS AND SPECIFICATIONS ARE THE PROPERTY OF AMPHENOL CORPORATION AND SHALL NOT BE REPRODUCED OR COPIED OR USED AS THE BASIS FOR THE MANUFACTURE OR SALE OF APPARATUS WITHOUT THE WRITTEN PERMISSION OF AMPHENOL CORPORATION

Amphenol AHSP A Division of Amphenol Corporation 200 Innovative Way, Suite 201, Nashua, N.H. 03062 (603) 879-3000	
TITLE	CABLE ASSEMBLY, SFP+/SFP+, 28Gbps, PASSIVE, 100Ω, 26 AWG EXD
PART NO.	SEE TABLE 3
DRAWING NO.	P-NDCCGJ-C199
SIZE	D
SCALE	1:1
SHEET	2 OF 2