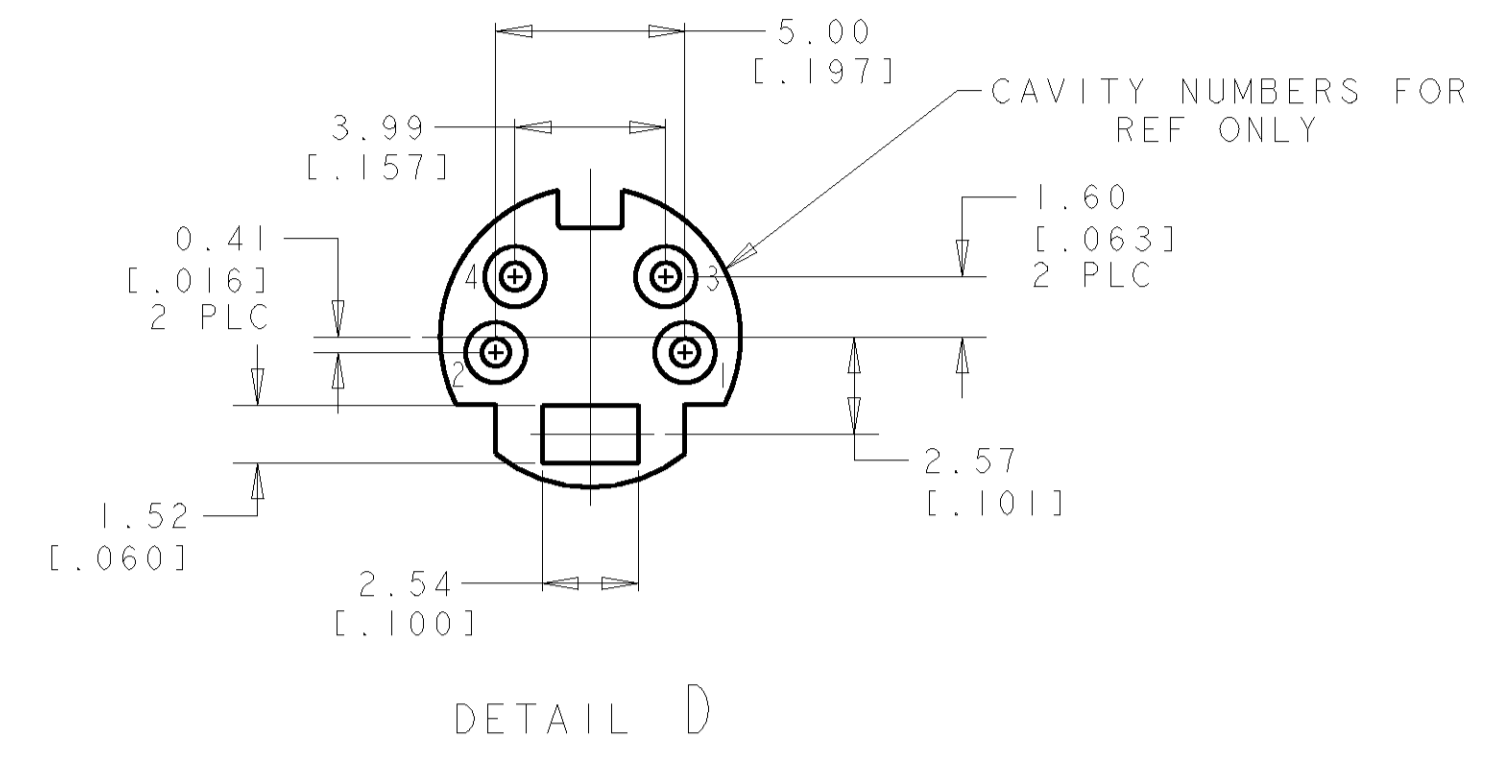
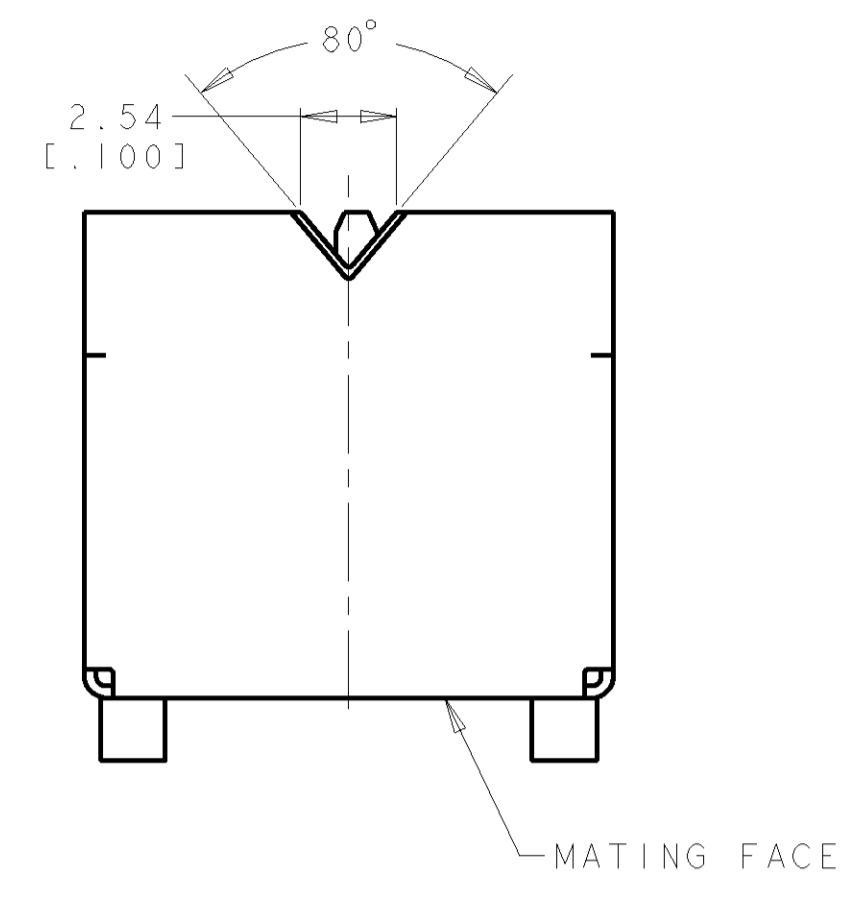
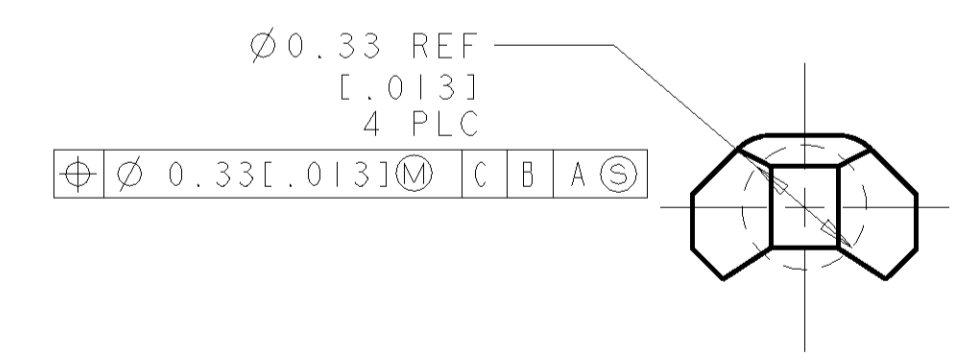
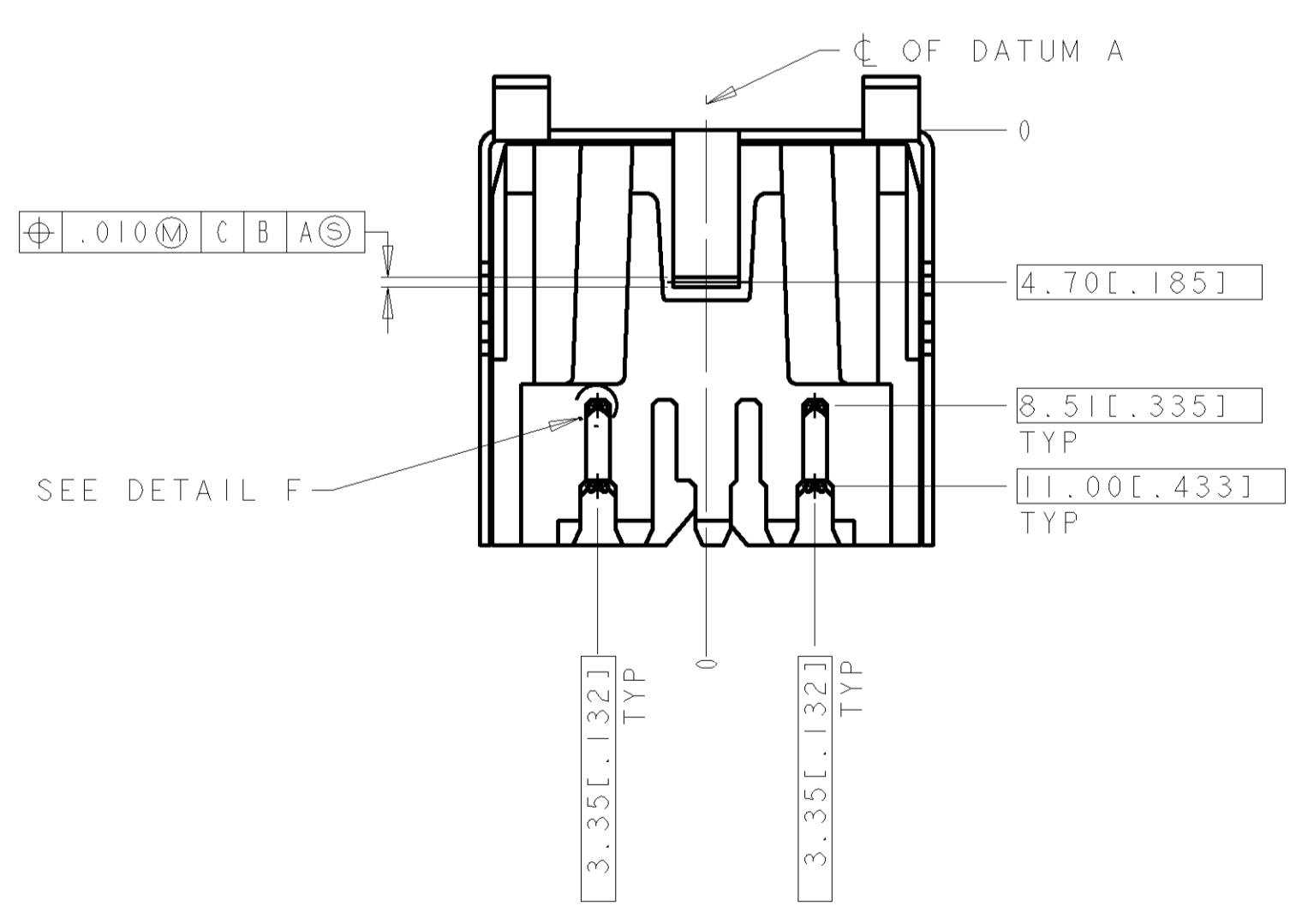
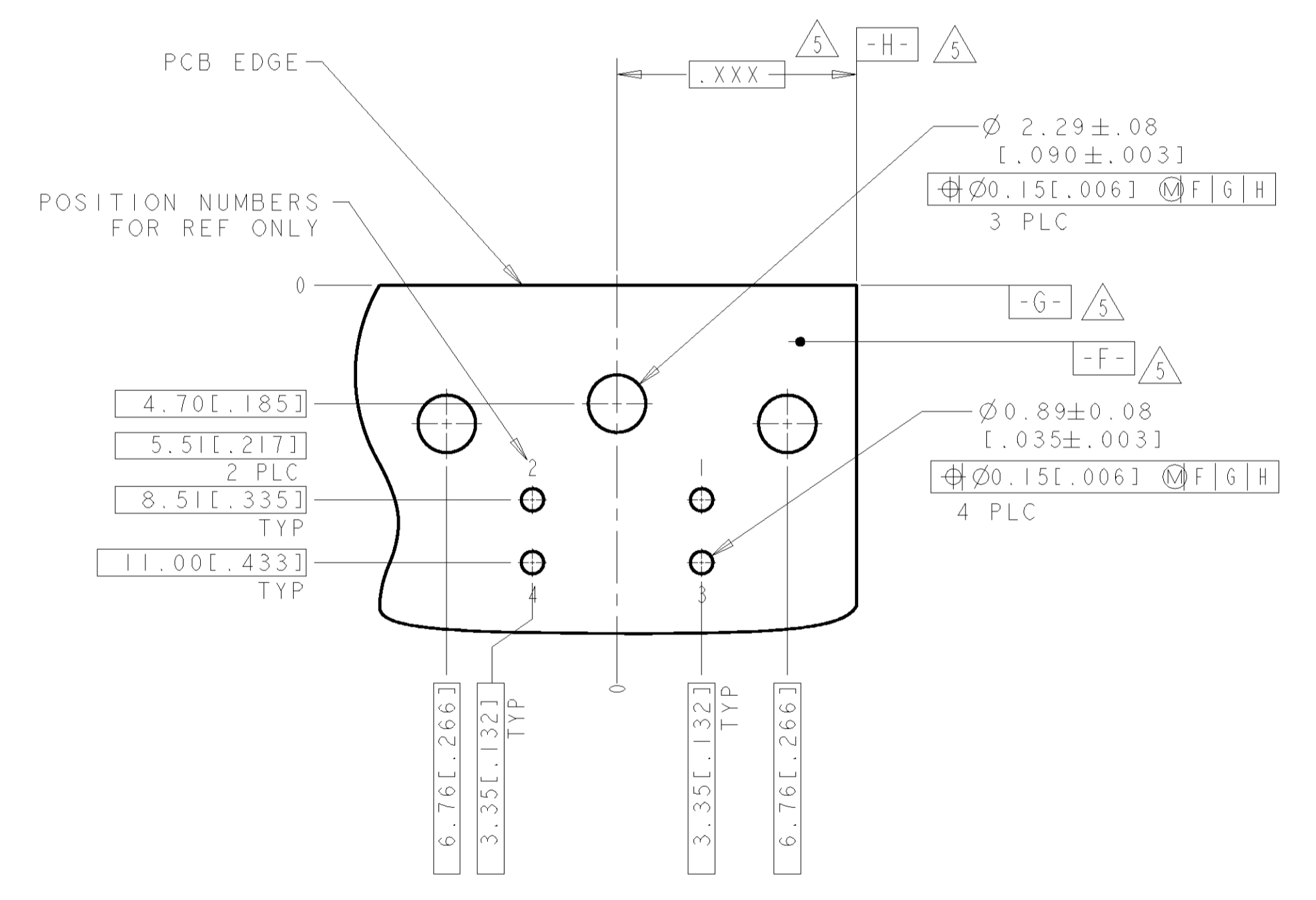
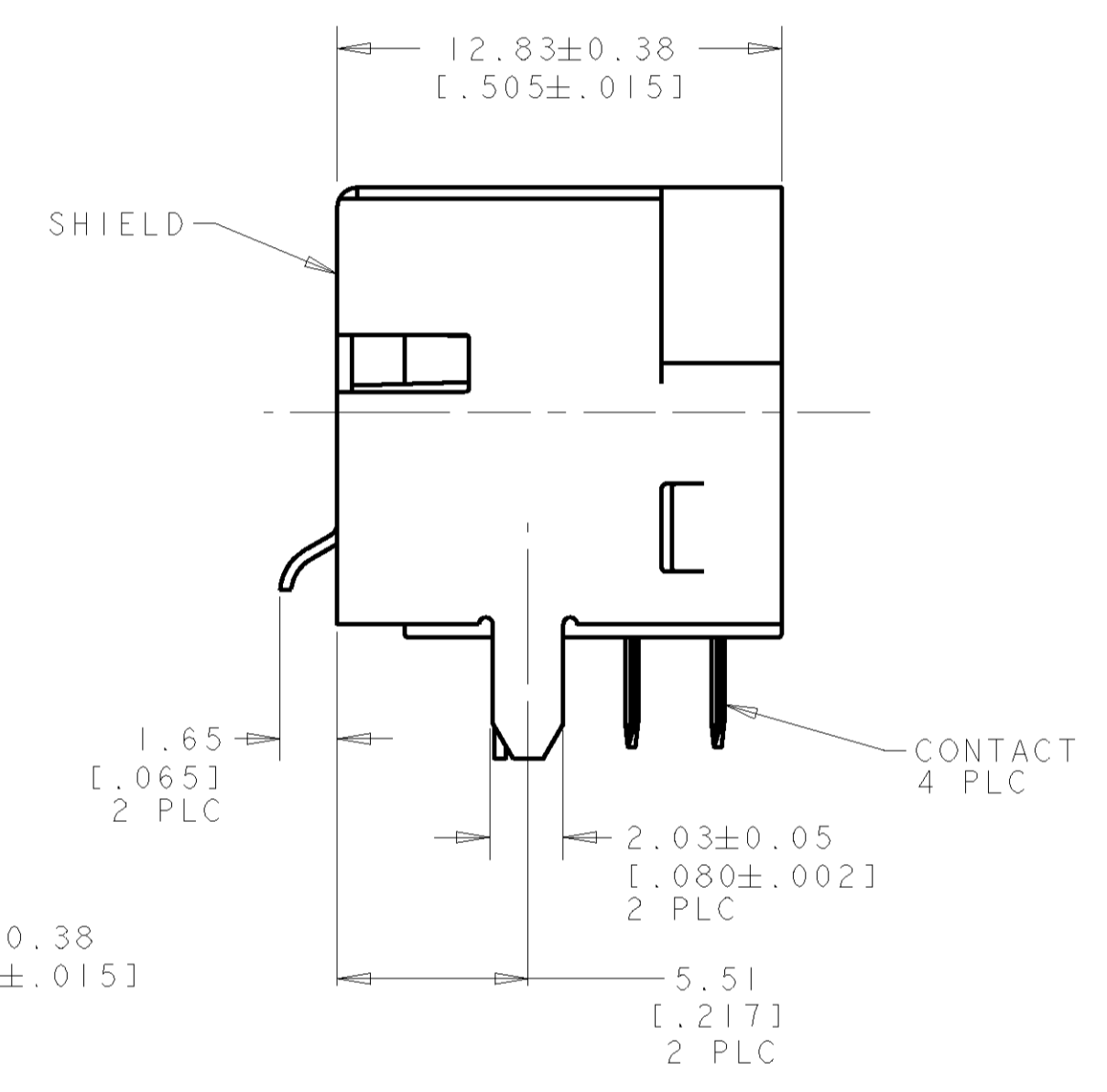
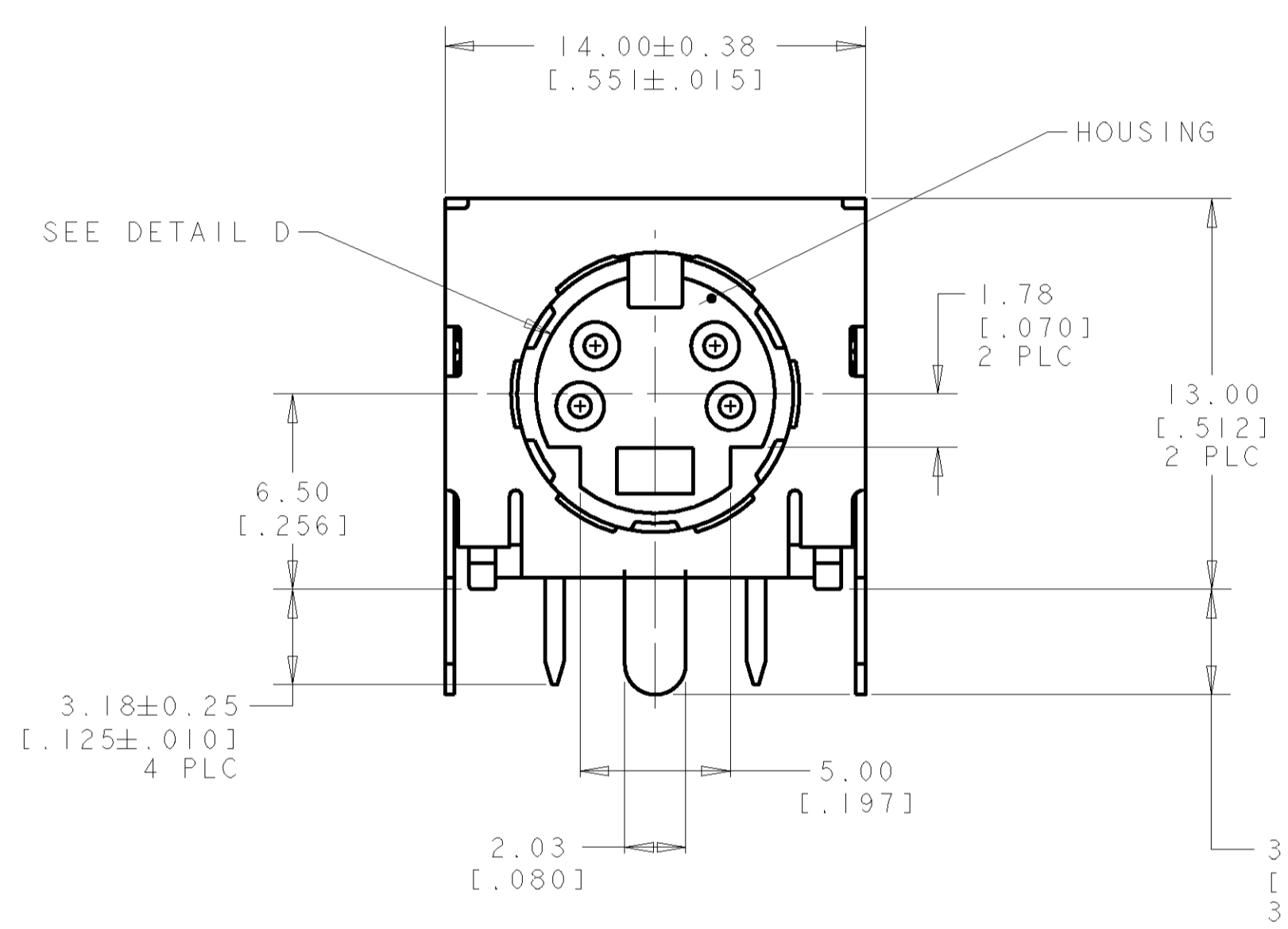


REVISONS		DATE	DNM	APRD		
LOC	DIST	F. LTR	DESCRIPTION	DATE	DNM	APRD
0			NPR FP00-0340-04	5JAN05	LWY	LSF



- 1 SHIELD & CONTACTS: COPPER ALLOY.
HOUSING: POLYESTER, UL 94V-0 RATED, BLACK.
- 2 0.76 μm [.000030] MIN GOLD FOR A LENGTH OF 1.27 [.050] MIN FROM MATING END, 3.05 μm [.000120] MIN MATTE-TIN ON OPPOSITE END, BOTH OVER 1.27 μm [.000050] MIN NICKEL.
- 3 1.50-4.00 μm [.000059-.000158] THICK BRIGHT TIN.
- 4 GOLD PLATING PER MIL-G-45204, TIN PLATING PER MIL-T-10727, NICKEL PLATING PER QQ-N-290.
- 5 DATUMS AND BASIC DIMENSION SUPPLIED BY CUSTOMER.



DETAIL F
SCALE 50:1

RECOMMENDED PC BOARD LAYOUT
BOTTOM VIEW

P/N: 5750069-1 AS SHOWN

<small>THIS DRAWING IS A CONTROLLED DOCUMENT FOR AMP INCORPORATED. ALL CHANGES TO THIS DRAWING MUST BE APPROVED BY THE ORIGINAL DESIGNING ORGANIZATION. SHOULD BE CONTACTED FOR THE LATEST REVISION.</small>		DWN: WYLEE CBY: SF LEONG APD: SF LEONG	05JAN2005 NAME: RECEPTACLE ASSY, FRONT PANEL GROUNDING, 4 POS, RIGHT ANGLE, MINIATURE CIRCULAR DIN PRODUCT SPEC: 108-1225 APPLICATION SPEC:	Tyco Electronics Singapore Pte. Ltd.
DIMENSIONS: mm [INCHES] TOLERANCES UNLESS OTHERWISE SPECIFIED: 0 PLC ± 1 PLC ± 2 PLC ±0.13 [.005] 3 PLC ± 4 PLC ± ANGLES: °	MATERIAL: FINISH:	WEIGHT: - CUSTOMER DRAWING	SIZE: A1 CASE CODE: 00779 DRAWING NO: C=5750069 SCALE: 5:1 SHEET: 1 OF 1 REV: 0	P/N: 5750069-1 AS SHOWN