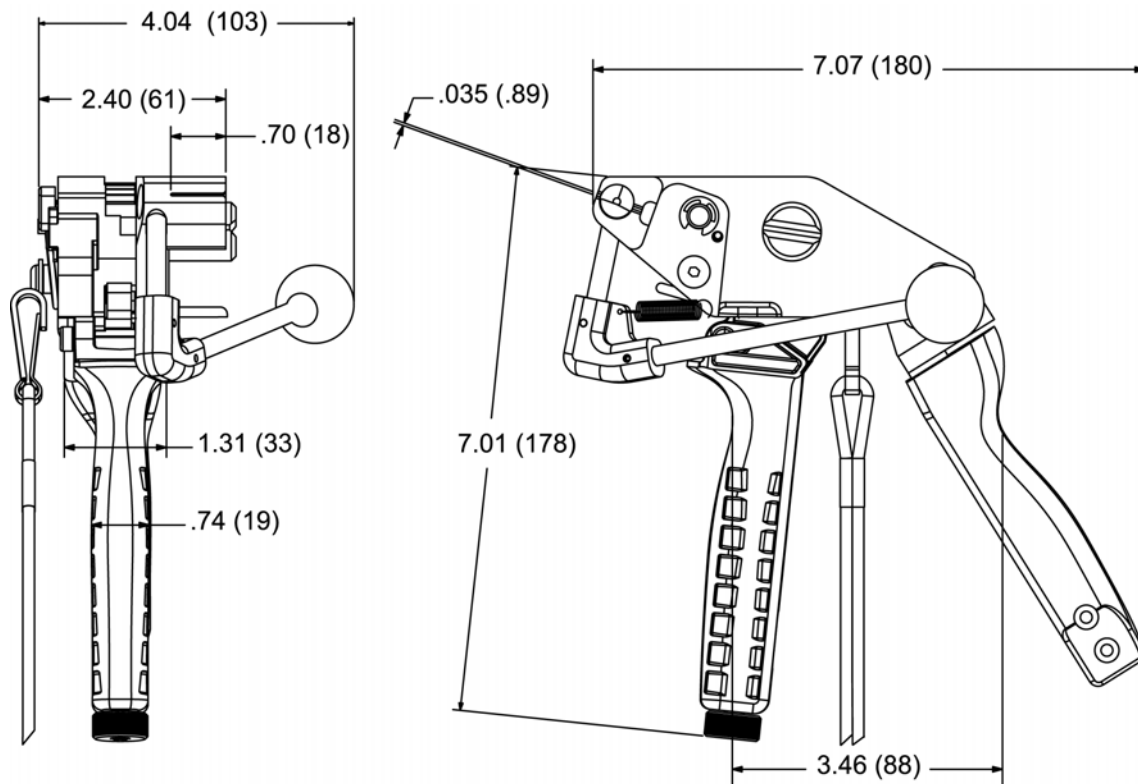


THIS COPY IS PROVIDED ON A RESTRICTED BASIS AND IS NOT TO BE USED IN ANY WAY DETRIMENTAL TO THE INTERESTS OF PANDUIT CORP.



**NOTES, UNLESS OTHERWISE SPECIFIED:**  
 PANDUIT TOOL NUMBER RT2HTN IS USED TO  
 INSTALL COATED & UNCOATED PAN-STEEL  
 MLTEH, MLTEH15 AND MLTSH TIES.

**THIS TOOLS' FEATURES INCLUDE:**

- Single handle trigger for fast installation
- Cable tie side entry for immediate positioning of tie and tool
- Adjustable controlled or Installer controlled tension
- Cut-off capability with the cutter and cutter handle
- Easy removal of excess tie
- Narrow nose allows access to tight areas
- Multi-position rear handle allows access to tight areas
- Features to release & remove tie from tool before cutting

**CABLE TIE CROSS-SECTION CODE:**  
 MLTEH      MLTEH15      MLTSH

TOOL WEIGHT: 2.5 lbs. (40 oz.)  
 Dimensions shown in parenthesis are metric.

F:\wrkgrp\rvusers\ENGR DOCS-NEW\ CUSTDWG\TM25753A01\_00 RT2HTN.doc

										<b>PANDUIT</b> CORP. TINLEY PARK, ILLINOIS			
										<b>RT2HTN CUSTOMER DRAWING</b>			
										UNLESS OTHERWISE SPECIFIED, DIMENSIONAL TOLERANCES ARE: (.x) ± --- (.xxx) ± --- (.xx) ± --- ANGLES ± ---		UNLESS OTHERWISE SPECIFIED, ALL DIMENSIONS ARE GIVEN IN INCHES, THIRD ANGLE PROJECTION.	
										DRAWN BY: <b>BLR</b>	<b>SHEET 1 OF 1</b>	SCALE <b>NONE</b>	
00	4-28-08	BLR	BJPU	RELEASED	4288	--	ABJ		DATE: 4-28-08	DRAWING NO. <b>TM25753A01</b>		DWG <b>A</b> SIZE	
REV	DATE	BY	CHK'D	DESCRIPTION	ECN	-R	CUST	SUP	CHK'D: BJPU				