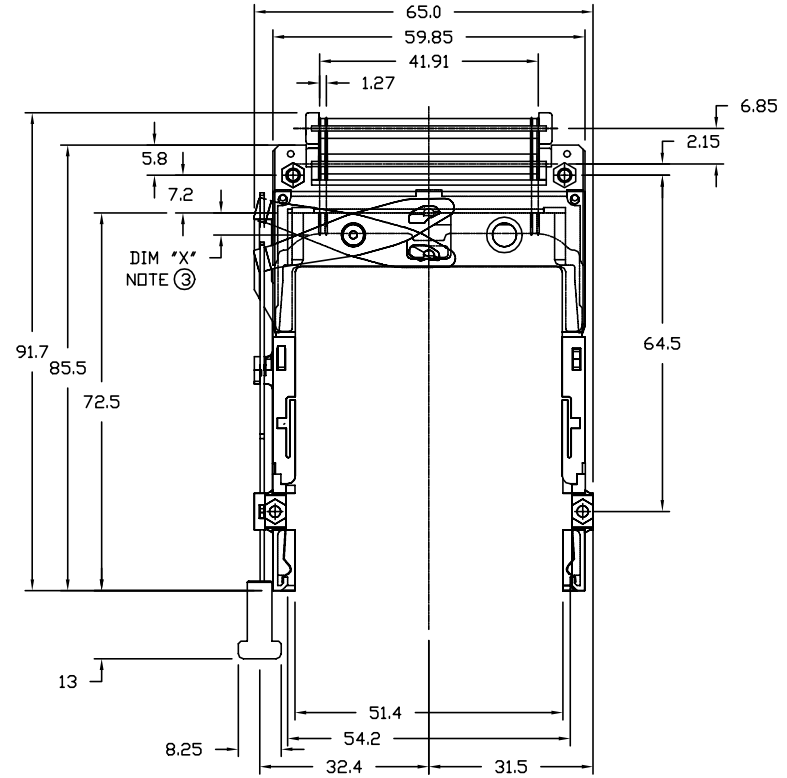
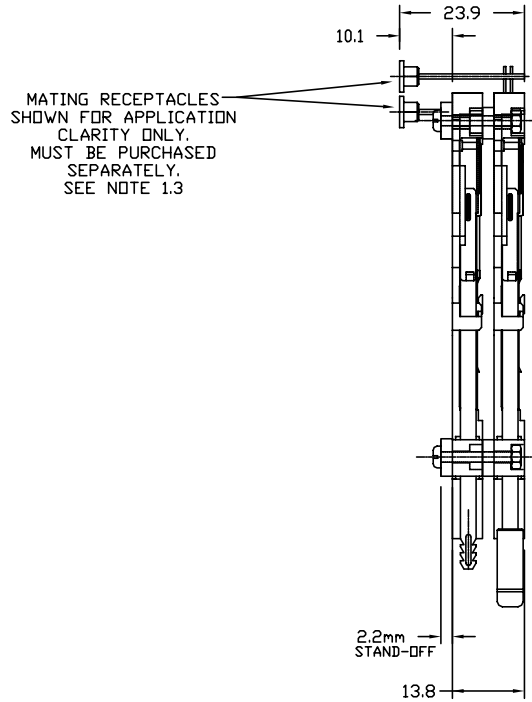
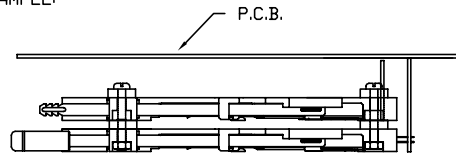


PRODUCT NO.
73408-003
73408-003LF

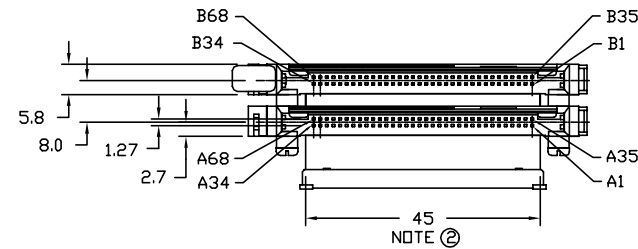


NOTE:

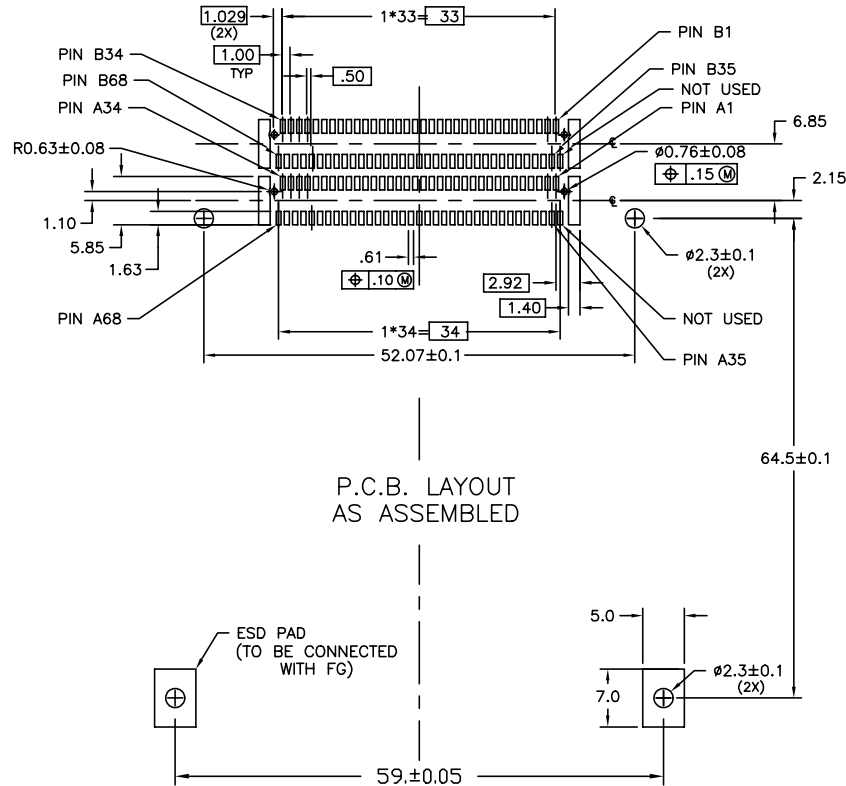
- 1. APPLICATION IS BELOW P.C.B. MOUNT
- ② BOARD WIDTH - 45mm MAX
EXAMPLE:



VIEW AS INSTALLED



mat'l. code	surface ISO1302	tolerance ISO1101 ISO406	projection MM	product family MCS
l trechn nodr	date	tolerances unless otherwise specified	MM	DOUBLE DECK VTB HEADER ASSEMBLY
C V12254 TFG	9/26/01	0.X±0.3	scale 1:1	dwg no 73408
D N05-0196 WB	07/05/05	0.XX±0.13		sheet 1 of 2
E BX-N-011413 ZK	04/02/12	0'±2'		size A4
		dr R.GRAPE 3/10/97		type Product Customer Drawing
		enr D.BRANN 3/10/97		
		chr D.BRANN 3/10/97		
		appd D.BRANN 3/10/97		
sheet index	revision sheet	E 1	E 2	



P.C.B. LAYOUT
AS ASSEMBLED

NOTES:

- 1 MATERIAL:
 - 1.1 HEADER ASSY:
PLASTIC HOUSING: HIGH TEMPERATURE THERMOPLASTIC UL94V-0 (WHITE) - BELOW PCB
PIN: PHOSPHOR BRONZE
PCB: FR4
 - 1.2 EJECT MECHANISM ASSY:
PLASTIC GUIDE: HIGH TEMPERATURE THERMOPLASTIC UL94V-0 BLACK
PLASTIC PUSH-ROD BUTTON: HIGH TEMPERATURE THERMOPLASTIC UL94V-0 BLACK
COVER PLATE, EJECT PLATE, LINK ARM,
PUSH ROD: STAINLESS STEEL
EMI CONTACT: PHOSPHOR BRONZE
 - 1.3 MATING RECEPTACLE (91931-31169):
PLASTIC: HIGH TEMPERATURE THERMOPLASTIC UL94V-0 BLACK
CONTACT: BeCu
- 2 FINISH (PIN)
UNDER PLATING: 0.5um MIN Ni
CONTACT AREA: 0.076 μm MIN. GOLD

SOLDER TAIL: 2.5umMIN Sn-Pb
2.5umMIN PURE Sn (FOR -003LF)
- 3 DIM "X"

4.25±0.1	3.5±0.1	5.0±0.1
OTHERS	36,67	1,17,34,35,51,68
- 4 RECOMMENDED SCREW TORQUE: 1.0 TO 1.5 MAX in-lbs. (1.2-1.7 cm-kgs).
- 5 ELECTRICAL PERFORMANCE
 - A. CURRENT CAPACITY - 0.5 A PER CONTACT
 - B. CONTACT RESISTANCE (LOW LEVEL) - INITIALLY 40M OHMS;
AFTER TEST 20M OHMS MAXIMUM CHANGE PER MIL-STD-1344A, METHOD 3002.1
 - C. WITHSTANDING VOLTAGE - NO SHORTING OR OTHER DAMAGE WHEN 500Vrms AC IS APPLIED FOR 1 MINUTE. CURRENT LEAKAGE 1mA MAXIMUM PER MIL-STD-202F, METHOD 301.
- 6 IF LEAD FREE P/N.THE HOUSING WILL WITHSTAND EXPOSURE TO 260°C PEAK TEMPERATURE FOR 10 SECONDS IN A WAVE SOLDER APPLICATION WITH A 1.00MM MINIMUM THICK CIRCUIT BOARD.
- 7 IF LEAD FREE P/N.THE PRODUCT MEETS EUROPEAN UNION DIRECTIVES AND OTHER COUNTRY REGULATIONS AS DESCRIBED IN GS-22-008
- 8 LEAD FREE P/N PACKAGING MEETS GS-14-920 SPECIFICATION
- 9 PRODUCT SPEC:110-263

mat'l. code		surface <input checked="" type="checkbox"/> IS01302		tolerance <input checked="" type="checkbox"/> ISO1101 <input checked="" type="checkbox"/> ISO406		projection		product family MCS		
ltr ecn nodr		date		tolerances unless otherwise specified				title		
E				angle $\frac{1}{2}$		MM		DOUBLE DECK VTB HEADER ASSEMBLY		
				0°±2'		scale 1:1				
		dr R.GRAPE		3/10/97				dwg no		
		enr D.BRANN		3/10/97				sheet 2 of 2		size
		chr D.BRANN		3/10/97				73408		A4
		appd D.BRANN		3/10/97				type Product Customer Drawing		
sheet index		revision sheet 1								