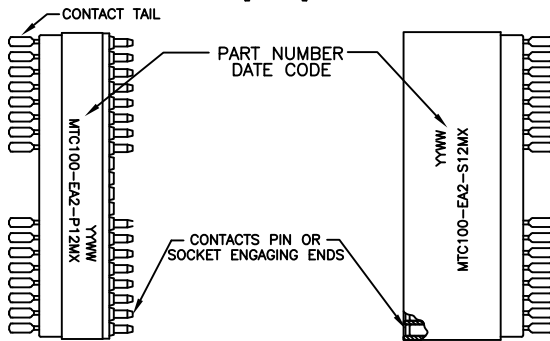
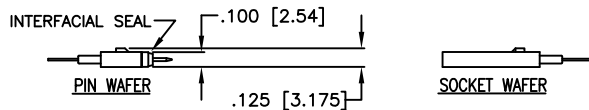
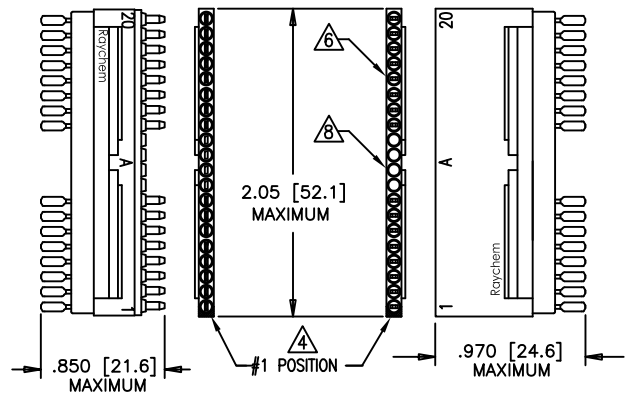


THIS DRAWING AND THE INFORMATION SET FORTH HEREON ARE THE PROPERTY OF TYCO ELECTRONICS CORPORATION, AND ARE TO BE HELD IN TRUST AND CONFIDENCE. PUBLICATION, DUPLICATION, DISCLOSURE, OR USE FOR ANY PURPOSE NOT EXPRESSLY AUTHORIZED IN WRITING BY TYCO ELECTRONICS CORPORATION IS PROHIBITED.

| REVISIONS |                   |              |          |
|-----------|-------------------|--------------|----------|
| LTR       | DESCRIPTION       | DATE         | APPROVED |
| A         | PER ECO-10-015431 | JULY/27/2010 | M. HIGGY |
| B         | PER ECO-11-004127 | Feb/24/2011  | M. HIGGY |

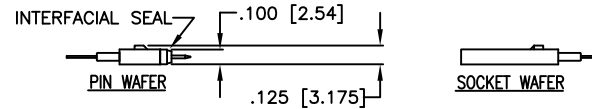
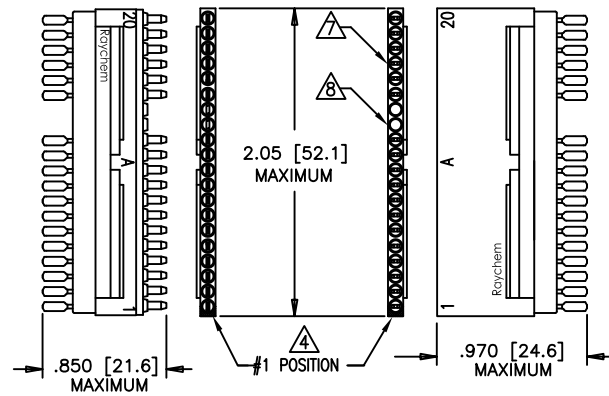


THIS MODEL HAS 16 ACTIVE CONNECTIONS. LINE 9, 10, 11 AND 12 CONNECTIONS DO NOT EXIST.

FIGURE I

| FIGURE | TABLE I          |                 |                   |
|--------|------------------|-----------------|-------------------|
|        | PART#            | DESCRIPTION     | WEIGHT MAX. GRAMS |
| I      | MTC100-EA2-P12M1 | A WAFER, PIN    | T.D.              |
|        | MTC100-EA2-S12M1 | A WAFER, SOCKET | T.D.              |
| II     | MTC100-EA2-P12M2 | A WAFER, PIN    | T.D.              |
|        | MTC100-EA2-S12M2 | A WAFER, SOCKET | T.D.              |

If this document is printed it becomes uncontrolled. Check for the latest revision



THIS MODEL HAS 18 ACTIVE CONNECTIONS. LINE 13 AND 14 CONNECTIONS DO NOT EXIST.

FIGURE II

NOTES:

- PART NUMBER VARIABLE: SEE TABLE I.
- MATERIAL:**
  - A) PIN/SOCKET WAFER: HIGH GRADE POLYARYLENE THERMOPLASTIC.
  - B) PIN CONTACT: COPPER ALLOY PER ASTM B36, ASTM B36M
  - C) SOCKET CONTACT: COPPER ALLOY PER ASTM B103, ASTM B103M (A).
  - D) INTERFACIAL SEAL: FLUOROSILICONE PER MIL-R-25988.
- FINISH:**
  - A) PIN/SOCKET WAFER: AS MOLDED.
  - B) PIN/SOCKET CONTACT ENGAGING END: GOLD PLATE PER ASTM B488, CLASS 1, TYPE 2, GRADE C.
  - C) CONTACT TAIL: SOLDER COATED PER IPC J-STD 006 (Sn63), FLUX COATED PER IPC J-STD 006, TYPE RMA.
- NUMBER ONE POSITION IS MARKED AS SHOWN IN CONTRASTING COLOR ON INTERFACE.
- THIS PRODUCT IS QUALIFIED TO SPACE SYSTEM LORAL'S SPECIFICATION 010554 Rev. 21, (PER MIL-DTL-83513 AND TYCO ELECTRONICS SPECIFICATION C-6111 AS APPLICABLE). SEE ISTR-1105 FOR MORE INFORMATION.
- SEE FIGURE I
- SEE FIGURE II
- ALL UNUSED CAVITIES ON SOCKET WAFERS ARE FOR VENTING (OPEN).

©2010-2011 Tyco Electronics Corporation. All rights reserved.

CUSTOMER DRAWING

|  |                  |           |              |  |
|--|------------------|-----------|--------------|--|
| UNLESS OTHERWISE SPECIFIED DIMENSIONS ARE IN INCHES. METRIC DIMENSIONS ARE IN BRACKETS.<br><br>DECIMALS<br>.XXX ± .005<br>.XX ±<br>ANGLES<br>.X ±<br><br>WEIGHT: MAXIMUM SEE TABLE I | DRAWN            | Zsofia O. | July/16/2010 | <br>Raychem Interconnect<br>300 Constitution Drive<br>Menlo Park, CA 94025 U.S.A.  |
|  | CHECKED          |           |              |  |
|  | APPROVED         |           |              |  |
|  | APPROVED         | M.HIGGY.  | July/16/2010 |  |
| CAD NAME   | MTC100-EA2-X12MX |           |              | <b>TITLE</b><br>A WAFER 2 INCH, PIN AND SOCKET<br>FLAT CABLE TERMINATION Sn63<br>TEMPERATURE RATING 125 CELSIUS DEGREE<br>MTC100 SERIES-MODIFIED 16 AND 18 CONTACTS MODELS |
| THIRD ANGLE PROJECTION   |                  |           |              | <b>SIZE</b> A<br><b>CAGE CODE:</b> 06090<br><b>DWG. NO.</b> MTC100-EA2-X12MX<br><b>REV</b> B<br>SCALE: NONE SHEET 1 OF 1   |

DWG NO. MTC100-EA2-X12MX SHEET 1