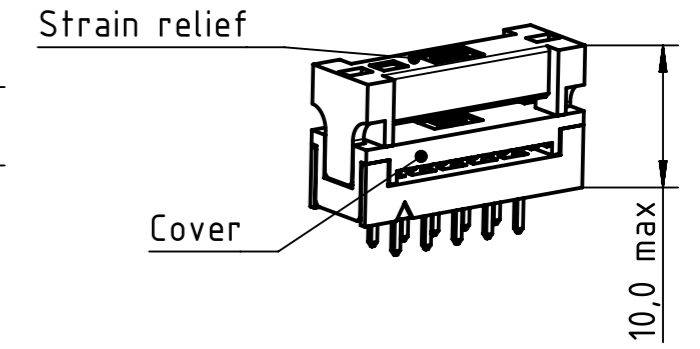
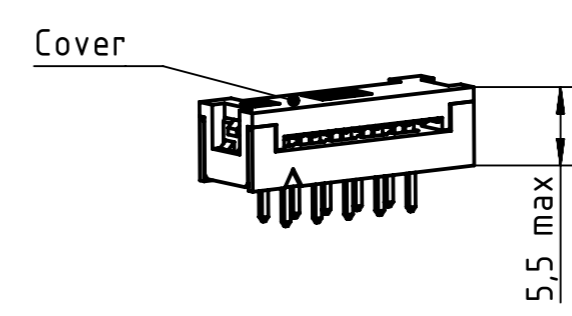


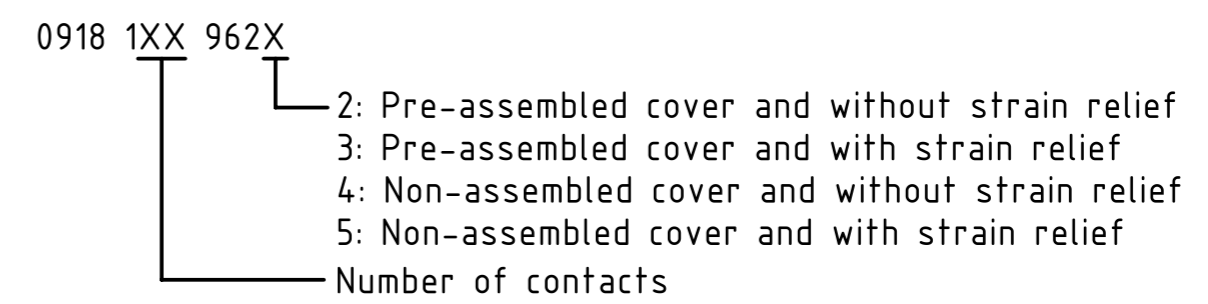
Assembled cover without strain relief

Assembled cover with strain relief



Number of contacts	Part Number	Dim A	Dim B	Dim C	Packing quantity
4	0918 104 962X	10,38	2,54	2,54	100pcs/packing
6	0918 106 962X	12,92	5,08	5,08	
8	0918 108 962X	15,46	7,62	7,62	
10	0918 110 962X	18,00	10,16	10,16	
14	0918 114 962X	23,08	15,24	15,24	
16	0918 116 962X	25,62	17,78	17,78	
20	0918 120 962X	30,70	22,86	22,86	
24	0918 124 962X	35,78	27,94	27,94	
26	0918 126 962X	38,32	30,48	30,48	
30	0918 130 962X	43,40	35,56	35,56	
34	0918 134 962X	48,48	40,64	40,64	50pcs/packing
40	0918 140 962X	56,10	48,26	48,26	
50	0918 150 962X	68,80	60,96	60,96	
60	0918 160 962X	81,50	73,66	73,66	
64	0918 164 962X	86,58	78,74	78,74	

Numbering system:



Note: strain relief can be ordered separately: P/N 0918 1XX 9002.
 technical information available on a separate document ref. : DS 09185100600.

	All rights reserved	Created by	Inspected by	Standardisation	Date	State
	Department EC PD - CN	SHENGJ	WANGSTE	HOFFMANN	2013-12-19	Final Release
HARTING Electronics GmbH D-32339 Espelkamp		Title SEK 2rows straight pins assembly		Doc-Key / ECM-Nr. 100523414/UGD/001/B 50000068008		Rev. B
		Type	Number			Page
		TB	09181XX962X			1/1