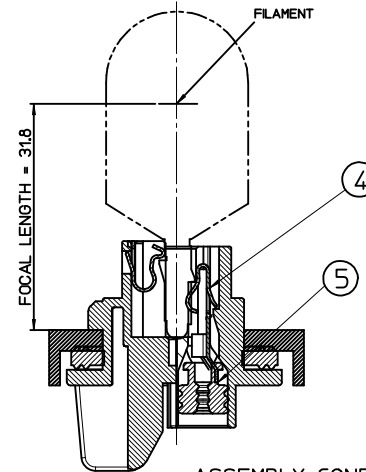


SECTION A-A



ASSEMBLY CONDITION

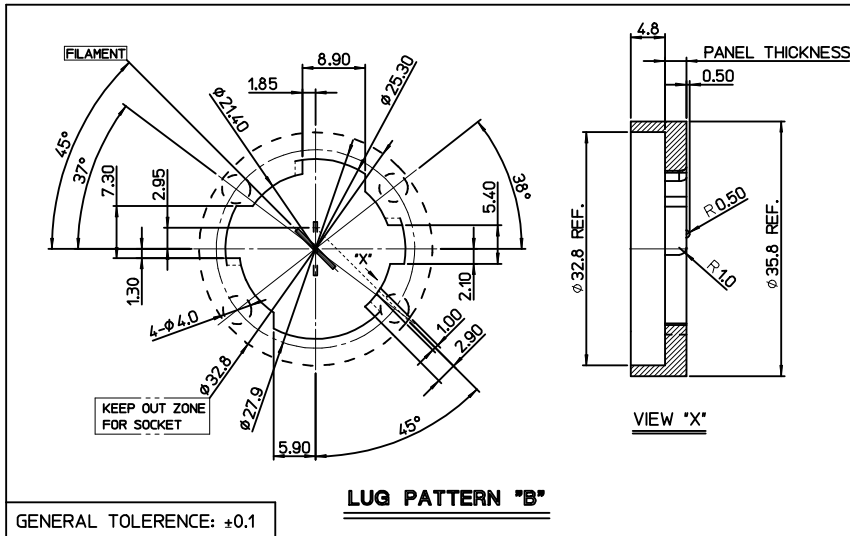
<NOTE>

1. APPLICABLE LAMP : W21W(T20)
2. PANEL THICKNESS : 3.0mm ±0.1
3. MATES WITH

NO.	DESCRIPTION	MATERIAL	PART NO.	WIRE RANGE
④	SINGLE TERMINAL	BRASS	49869-9702	0.5~0.85mm <sup>2</sup>
⑤	WIRE SEAL - S	SILICONE	49454-9002	1.8~2.2mm(INS. DIA.)

<PARTS LIST>

NO.	DESCRIPTION	MATERIAL	USAGE	REMARK
①	T20 BULB SOCKET	NYLON46, GF 30%	1	BLACK
②	LAMP HOLDER	SUS	2	UNPLATED
③	FLOOR SEAL	SILICONE	1	WHITE



LUG PATTERN "B"

GENERAL TOLERANCE: ±0.1

VIEW "X"

<TABLE 1>

MATERIAL NO.	ORDER NO.	COLOR
1041340221	104134-0221	BLACK

REV	DESCRIPTION	QUALITY SYMBOLS	GENERAL TOLERANCES (UNLESS SPECIFIED)		DIMENSION STYLE		SCALE	DESIGN UNITS	TITLE	MATERIAL NO.	ORDER NO.	COLOR	
			mm	INCH	MM ONLY	METRIC							
A	NEW RELEASE EC NO: KTR2013-0011 2013/08/28 DRWN:HI MOON 2013/08/28 CHKD:BC YOON 2013/09/04 APPR:JYCHOI	▽=0 ▽=0	4 PLACES ± --- ± ---	3 PLACES ± 0 ± ---	2 PLACES ± 0.2 ± ---	1 PLACE ± 0.30 ± ---	mm	mm	DRAWN BY: SMK IM DATE: 2009/03/17 CHECKED BY: BC YOON DATE: 2009/03/17 APPROVED BY: JYCHOI DATE: 2013/09/04	W21W(T20) SEALED WEDGE BULB SOCKET 2P	1041340221	104134-0221	BLACK
			DRAFT WHERE APPLICABLE MUST REMAIN WITHIN DIMENSIONS		SEE TABLE 1				MOLEX INCORPORATED SD-104134-002				
			THIS DRAWING CONTAINS INFORMATION THAT IS PROPRIETARY TO MOLEX INCORPORATED AND SHOULD NOT BE USED WITHOUT WRITTEN PERMISSION										