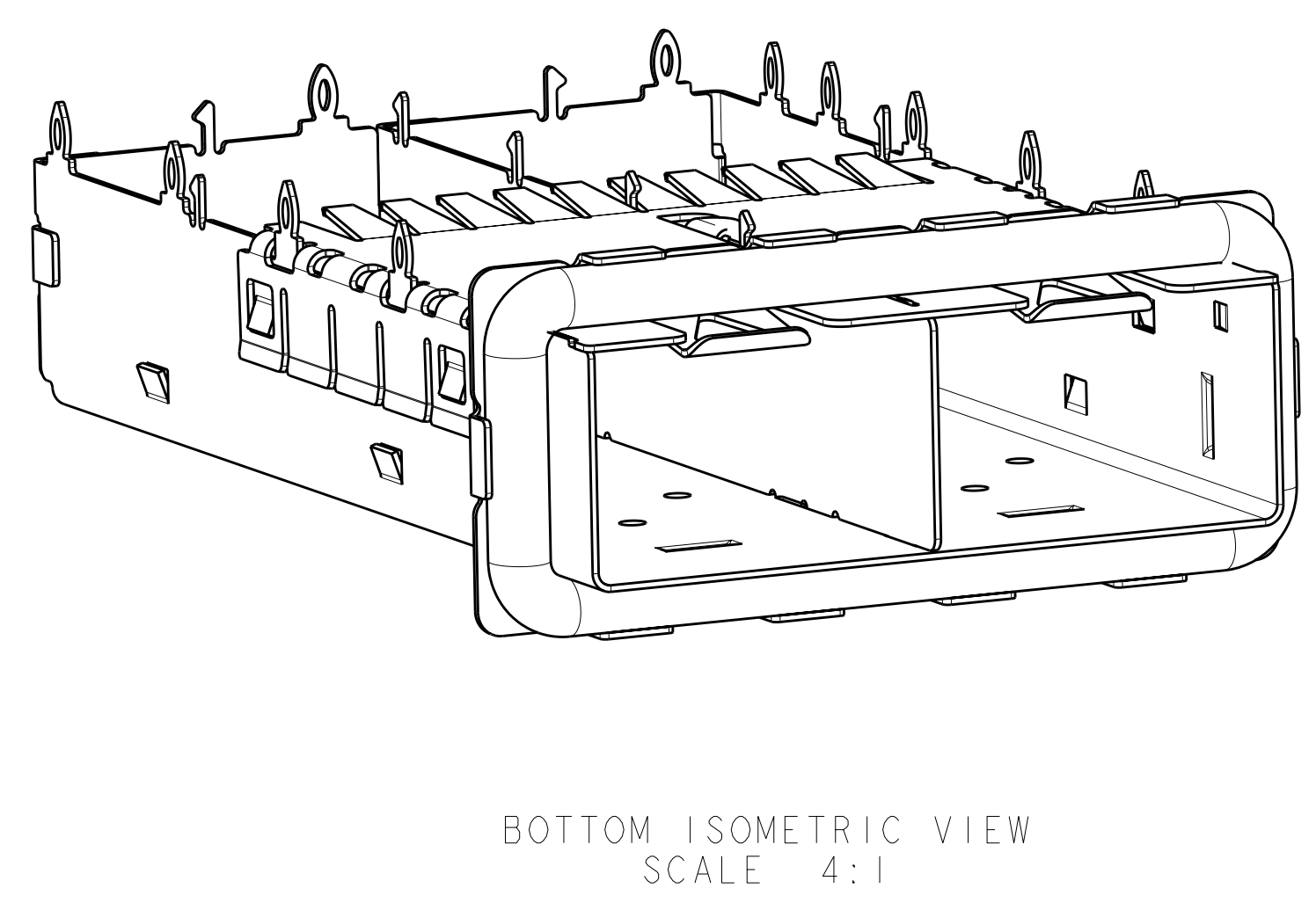
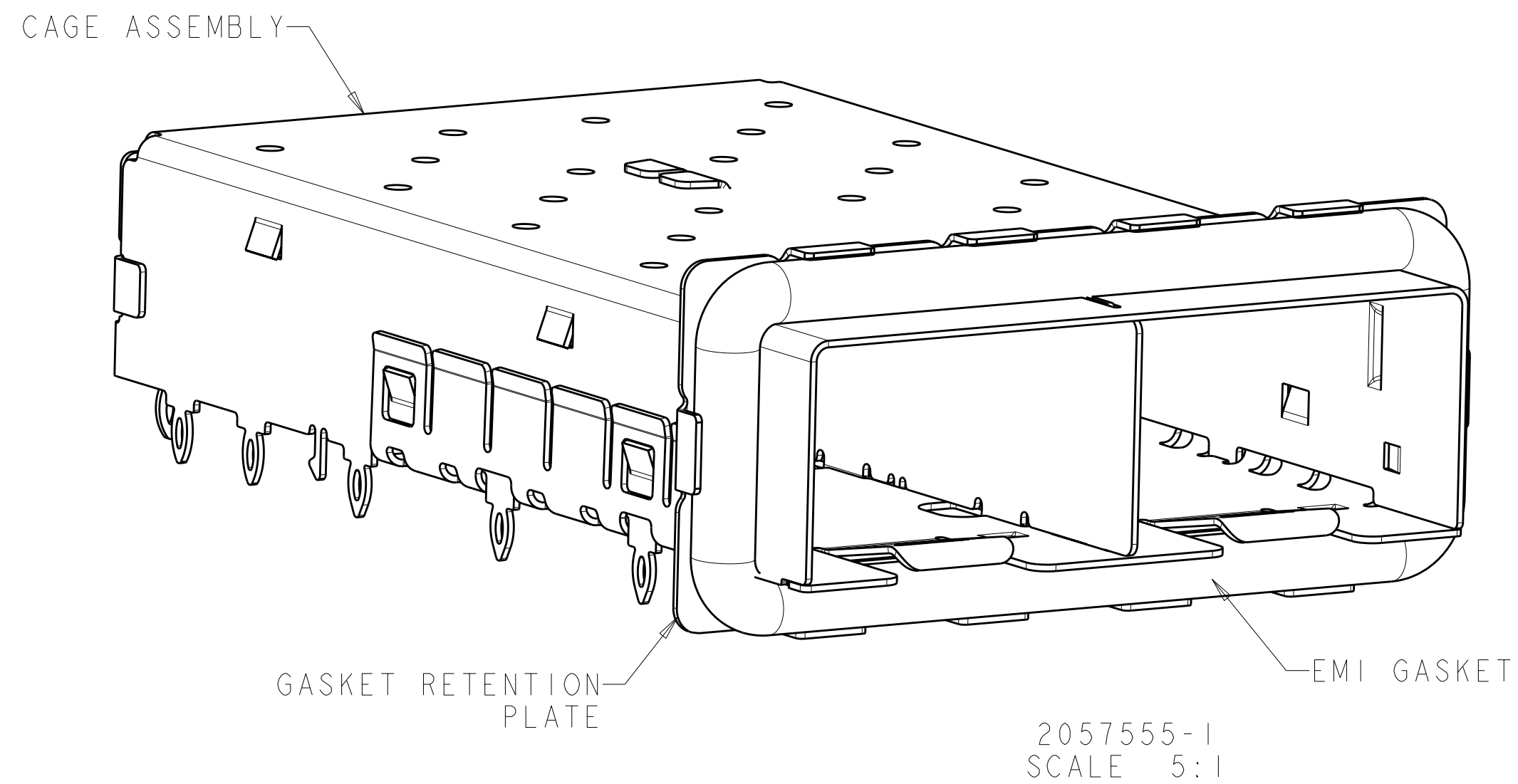
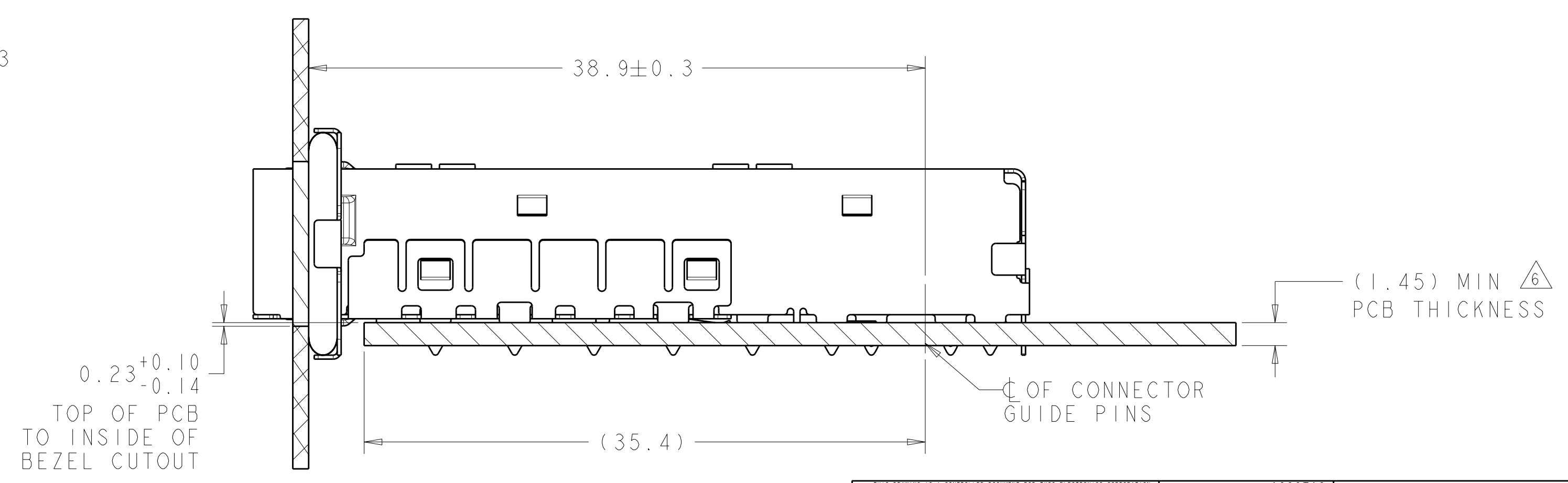
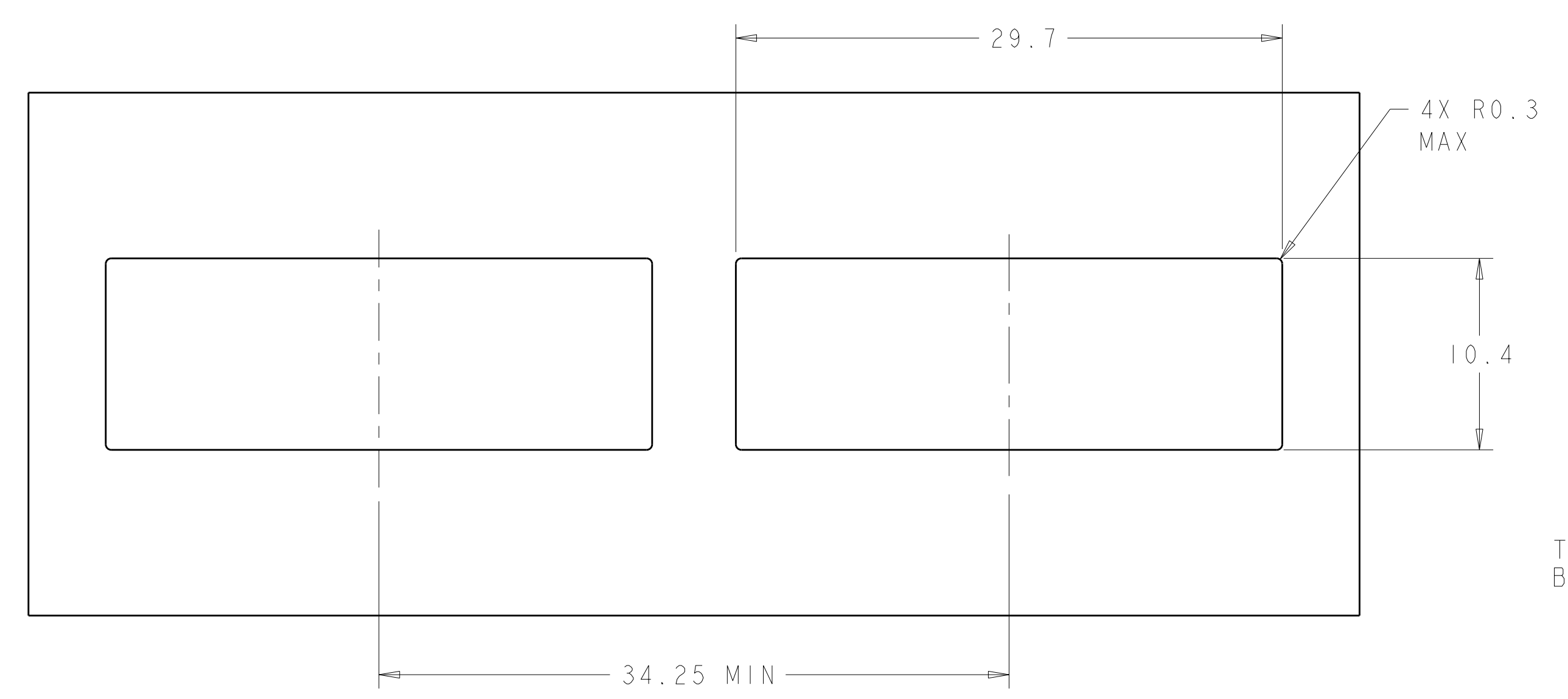
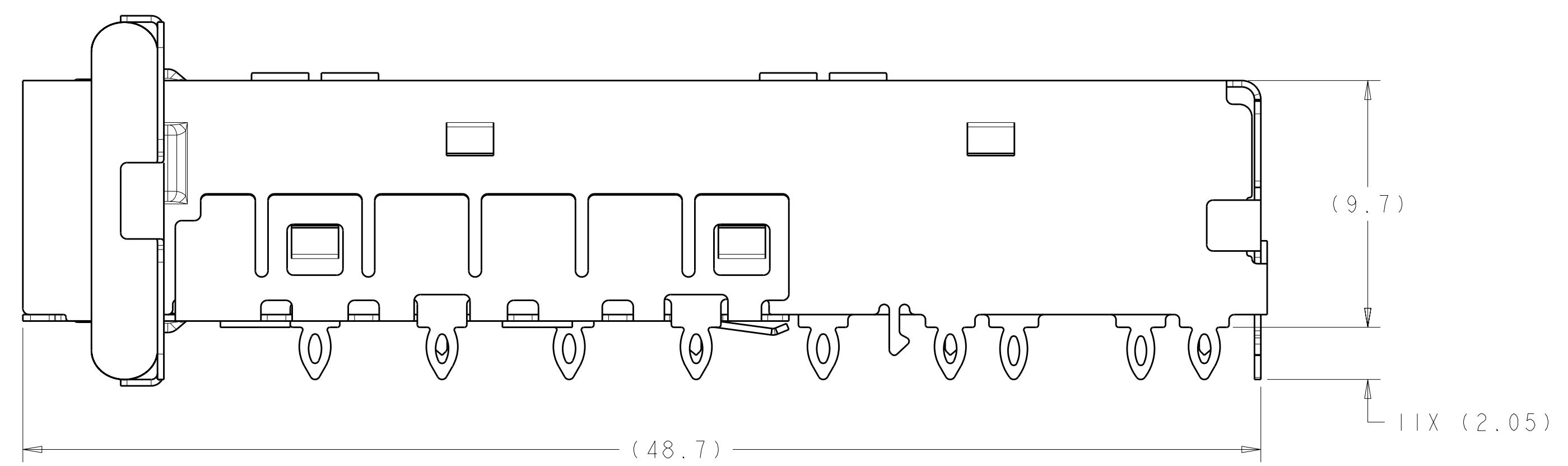
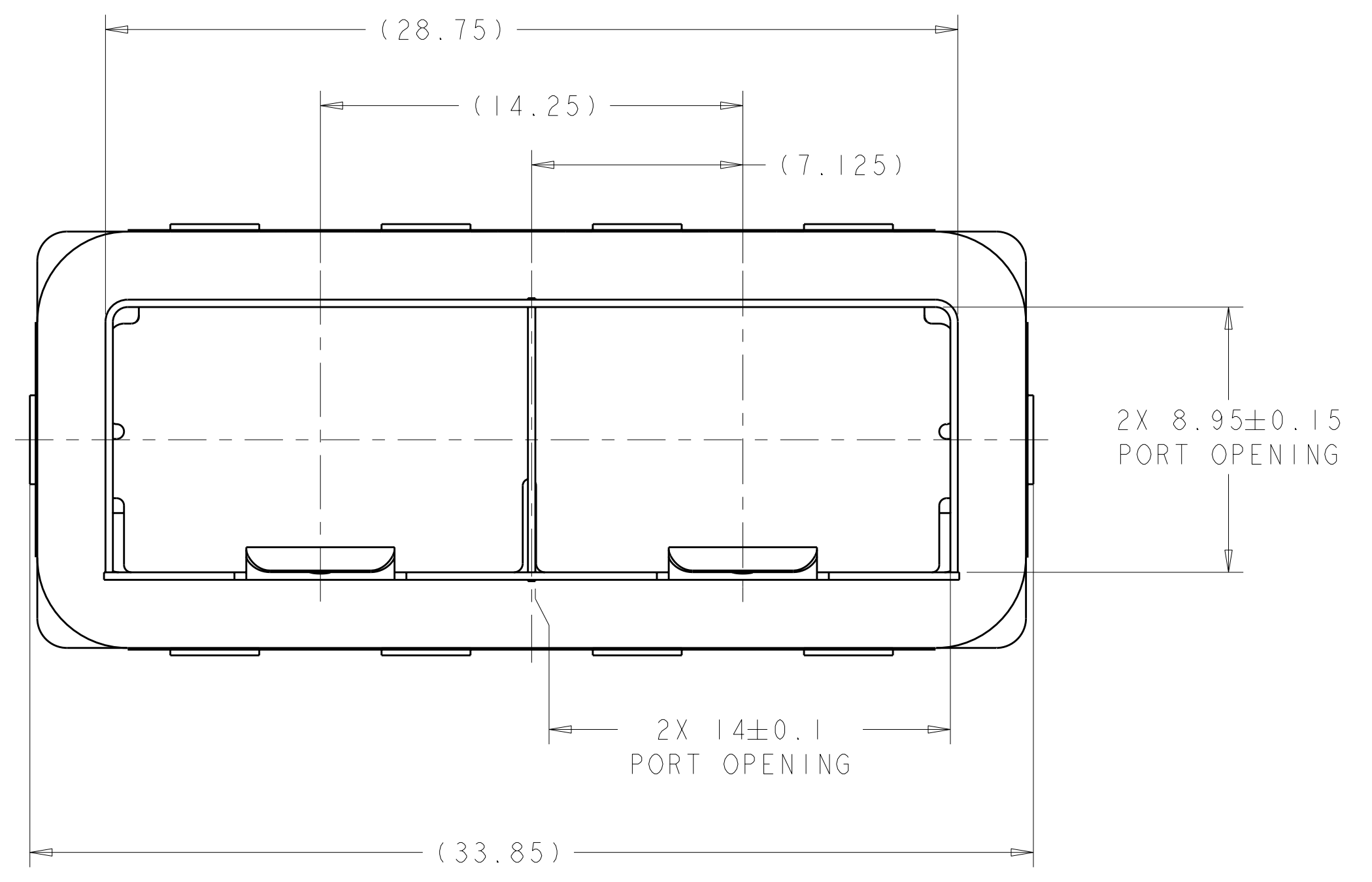


LOC	DIST	REV	DATE	DWN	APVD
GP	00	A	11FEB2011	CJV	JTL
		DESCRIPTION			
		RELEASED PER ECO-10-025263			



- △ MATERIAL:
CAGE ASSEMBLY: NICKEL SILVER ALLOY, 0.25mm THK
GASKET RETENTION PLATE: STAINLESS STEEL
EMI GASKET: PLATED FILLED SILICONE.
- △ DATUM AND BASIC DIMENSIONS ESTABLISHED BY CUSTOMER.
- 3. MATES WITH SFP MSA COMPLIANT RECIEVERS.
- △ PADS AND VIAS CHASSIS GROUND.
- 5. INTERPRETATION OF DATUM REFERENCE FRAME IN ACCORDANCE WITH SECT 4.4.1.1 OR ASME Y14.5M-1994.
- △ MINIMUM PC BOARD THICKNESS:
SINGLE SIDED: 1.45mm
- △ HOLE PATTERN REPEATS FOR EACH PORT, SPACING BETWEEN PORTS IS 14.25mm.
- △ REFERENCE APPLICATION SPEC. 114-13120, HOLE A, FOR RECOMMENDED DRILL HOLE DIAMETER AND PLATING THICKNESS.
- △ REFERENCE APPLICATION SPEC. 114-13120, HOLE B, FOR RECOMMENDED DRILL HOLE DIAMETER AND PLATING THICKNESS.



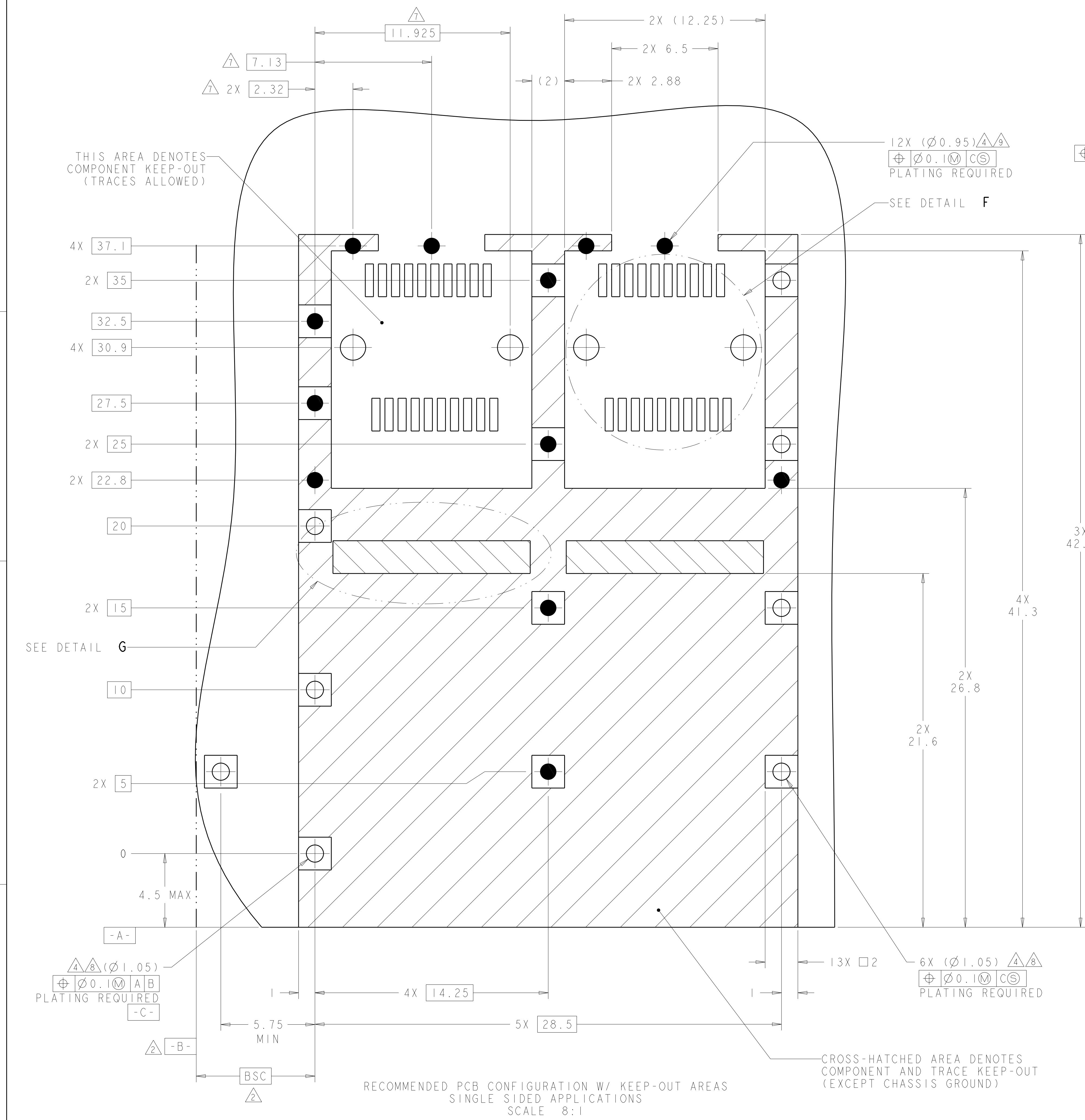
RECOMMENDED BEZEL CUT-OUT
SCALE 4:1

2057555-1
PART
NUMBER

DIMENSIONS: mm 		TOLERANCES UNLESS OTHERWISE SPECIFIED: 9 PLC ±0.13 1 PLC ±0.1 3 PLC ±0.08 4 PLC ±0.05 ANGLES ±1		DWN B. MCMASTER 02OCT08 CHY M. SCHMITT 02OCT08 APVD M. SCHMITT 02OCT08		Tyco Electronics Harrisburg, PA 17105-3608	
MATERIAL △ FINISH -		PRODUCT SPEC 108-2364 APPLICATION SPEC 114-13120		NAME SFP+ ENHANCED 1X2 CAGE ASSEMBLY, PRESS-FIT, EMI GASKET		SIZE CAGE CODE DRAWING NO RESTRICTED TO A 100779 C-2057555	
CUSTOMER DRAWING		SCALE 6:1		SHEET 1 OF 2		REV A	

LOC	DIST	REV	DATE	BY	APPD
GP	00				

REVISIONS		DATE	BY	APPD
-	SEE SHEET 1	-	-	-



DIMENSIONS: mm		TOLERANCES UNLESS OTHERWISE SPECIFIED: 9 PLC ±0.13 1 PLC ±0.1 2 PLC ±0.08 3 PLC ±0.05 4 PLC ±0.05 ANGLES ±0.5		DWN B MCMMASTER 02OCT08 CHY M SCHMITT 02OCT08 APVD M SCHMITT 02OCT08		Tyco Electronics Harrisburg, PA 17105-3608	
MATERIAL:		FINISH:		PRODUCT SPEC 108-2364		NAME SFP+ ENHANCED 1X2 CAGE ASSEMBLY, PRESS-FIT, EMI GASKET	
WEIGHT:		WEIGHT:		APPLICATION SPEC 114-13120		SIZE CAGE CODE DRAWING NO A 100779 C=2057555	
CUSTOMER DRAWING		SCALE 6:1		SHEET 2 OF 2		REV A	